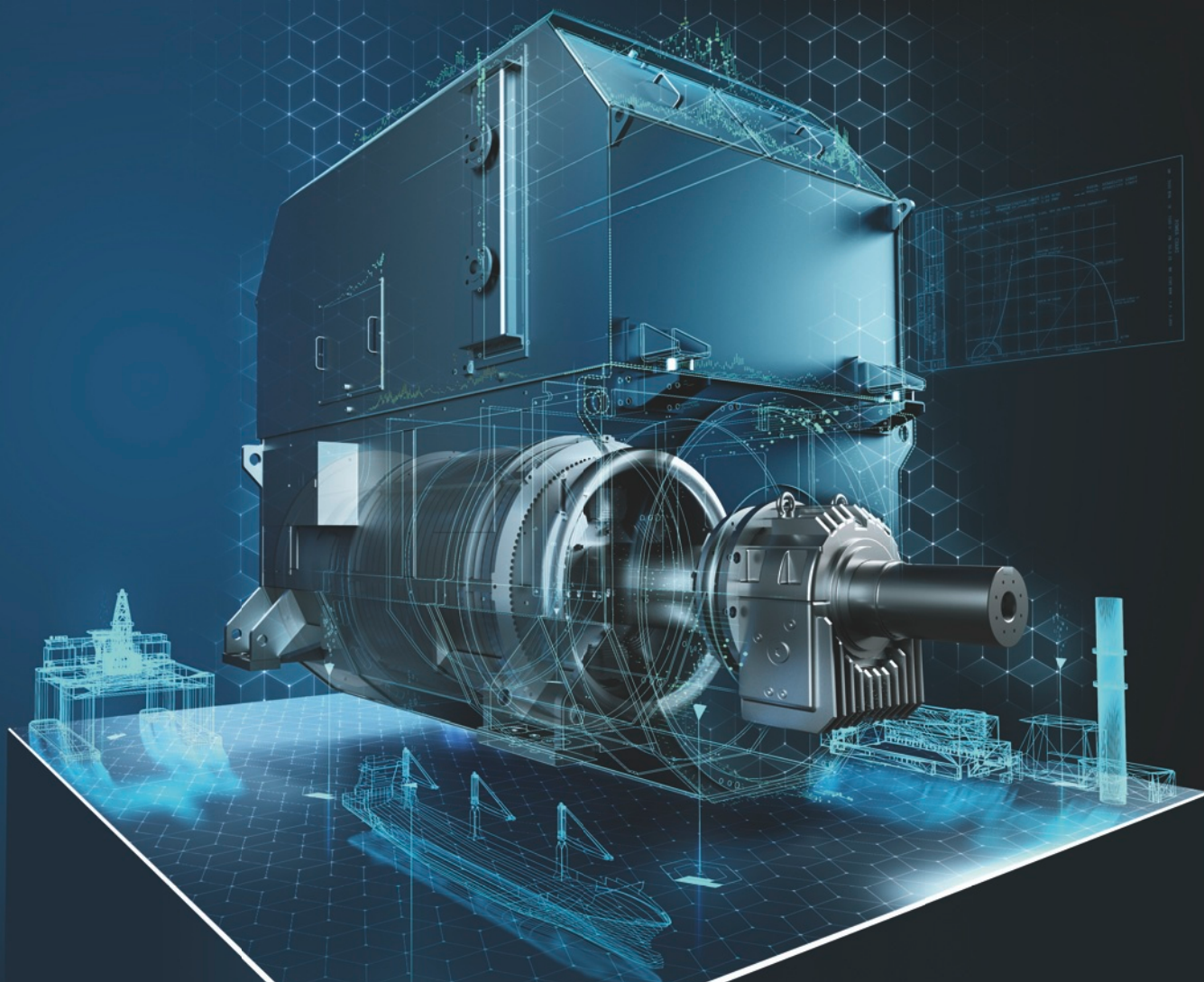


SIEMENS



Generators

Modular Industrial Generators SAGENTICS M

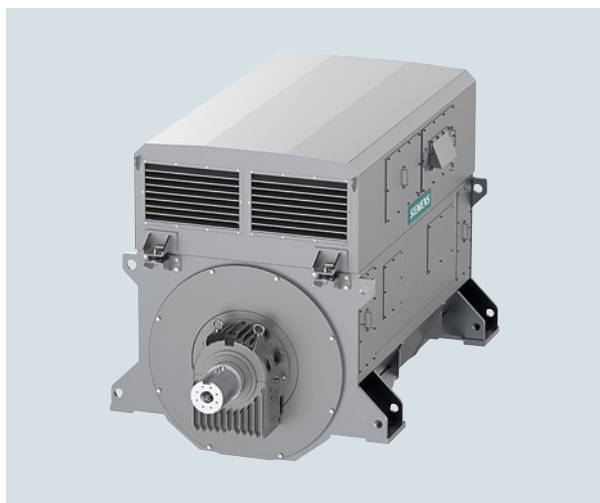
Catalog
D 85.1

Edition
2018

siemens.com/sagentics-m

Modular Industrial Generators SIGENTICS M

Generators



Catalog D 85.1 · 2018

Supersedes:
Catalog D 85.1 · 2017

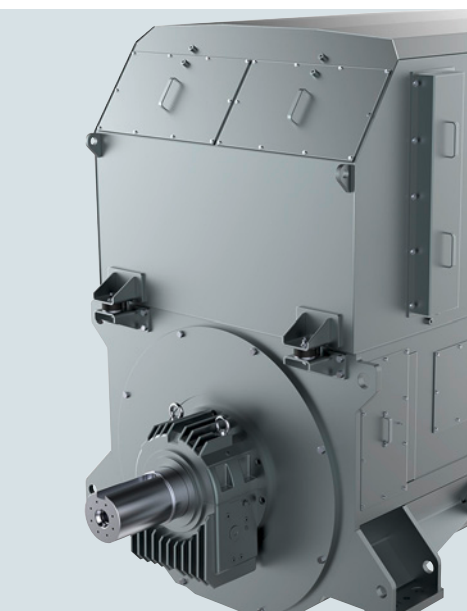
© Siemens AG 2018

Introduction	1
Technical data	2
Options	3
Generators for hazardous areas	4
Generators for marine applications	5
Service & Support	6
Appendix	7



The products and systems described in this catalog are manufactured/distributed under application of a certified quality management system in accordance with DIN EN ISO 9001 (Certified Registration No. 002241 QM15). The certificate is recognized by all IQNet countries.

Introduction



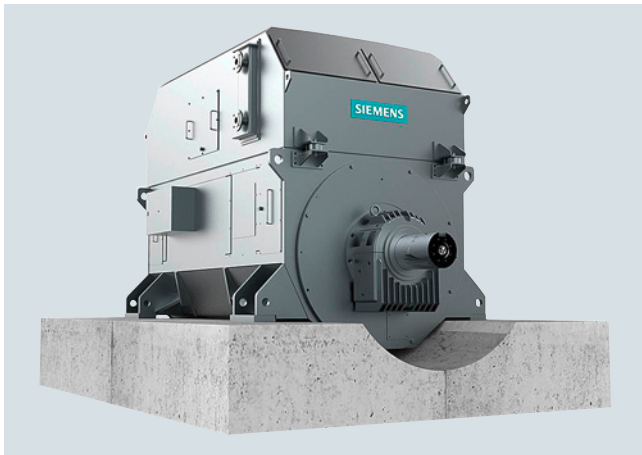
1/2	Overview
1/3	Modular industrial generators SIGENTICS M
1/3	Article number code
1/5	Performance feature
1/6	Cooling concepts
1/7	General technical versions
1/7	Generator protection and electrical design
1/8	Generator connection and terminal boxes
1/10	Mechanical design

Introduction

Overview

1

Overview



The SAGENTICS M (modular) series is the new generation of high performance synchronous alternators from Siemens. It is based on the proven design of Siemens generators, powering diverse applications all around the world. The one and a half century of know-how and tradition of building rotating electric machines enables Siemens to pursue leadership in energy efficiency and operational reliability of its products. This expertise is making customers not just more competitive but also enables them to focus on their core competences.

The SAGENTICS M is also offering high flexibility in electrical parameters helping customers to come up with innovative solutions. This does not come at the cost of standardization. The new modular frame, featuring a variety of cooling options, helps to keep a highly standardized and compact design which simplifies the customers' engineering in the planning phase and improves the generator delivery times during the project realization.

The covered international standards and certifications together with the stiff and rugged frame make the SAGENTICS M suitable for a broad range of applications – even in the most demanding conditions.

In this catalog, the SAGENTICS M generator series in the high-voltage version is described.

The SAGENTICS M generators are modular self-ventilated, either open air-cooled or closed air/water-cooled with a wide range of standard options.

In addition to the general technical data, this catalog includes detailed descriptions of the standard versions and the options that can be supplied by specifying order codes. It should be noted that certain order codes and combinations of order codes are not possible for all generator types. Customized solutions can be offered on request.

Benefits

SAGENTICS M – main highlights at a glance:

- Designed to provide optimization for the customer driver, with maximum flexibility for component configuration.
- Superior performance and efficiency up to 98.4 %
- Highest power utilization for smallest dimensions and less weight to save resources and space
- Outstanding technical reliability and life time
- Lowest noise and vibration levels
- Short delivery time and higher delivery reliability
- Comprehensive program of monitoring services

Overview

The following overview explains the meaning of the individual positions of the Article No. The selection tables in Chapter 2 include the generators available as standard.

Ordering data:

- Complete Article No. and order code(s).
- If a quotation is available, in addition to the Article No., the quotation number should also be specified.
- When ordering a complete generator as a spare part, please specify the factory serial No. of the previously supplied generator as well as the Article No.

Structure of the Article No.:	Position:	1	2	3	4	5	6	7	-	8	9	10	11	12	-	13	14	15	16	Z	
<u>1st to 4th position:</u> Generator rotor design	With laminated cylindrical rotor	1	D	T	1																
	With laminated salient pole rotor	1	D	K	1																
<u>5th to 6th position:</u> Corresponding shaft height	450 mm					0	5														
	500 mm					0	6														
	560 mm					0	8														
	630 mm					1	0														
	710 mm					1	2														
	800 mm					1	4														
	900 mm					1	6														
<u>7th position:</u> Excitation method	Static excitation									0											
	Brushless exciter									1											
	Brushless exciter and auxiliary winding									2											
	Brushless exciter and PMG pilot exciter									3											
	Brushless exciter and Boost system									4											
	Brushless exciter and Thyripart									5											
	Special excitation principle									9											
<u>8th to 9th position:</u> Core length	Coded									0	A										
																			
										9	Z										
<u>10th position:</u> Rated voltage, frequency	400 V, 50 Hz											A									
	450 V, 60 Hz											B									
	690 V, 50 Hz											C									
	690 V, 60 Hz											D									
	3.3 kV, 50 Hz											E									
	4.16 kV, 60 Hz											F									
	6.3 kV, 50 Hz											H									
	6.6 kV, 60 Hz											K									
	11 kV, 50 Hz											N									
	13.8 kV, 60 Hz											R									
<u>11th to 12th position:</u> Number of poles	4-pole												0	4							
	6-pole												0	6							
	8-pole												0	8							
	10-pole												1	0							
	12-pole												1	2							
	14-pole												1	4							

Introduction

Modular industrial generators SIGENTICS M

Article number code

1

Overview (continued)

Structure of the Article No.:	Position:	1	2	3	4	5	6	7	-	8	9	10	11	12	-	13	14	15	16	Z
<u>13th position:</u> Ex-Protection	Without Ex-protection															0				
	ATEX, Zone 2, Ex ec															3				
	IECEX, Zone 2, Ex ec															6				
<u>14th position:</u> Cooling method	Direct, open-circuit ventilation with air ducts (IC31)																E			
	Direct, open-circuit ventilation (IC01)																F			
	Direct, open-circuit ventilation with weather protection (WP11)																H			
	Indirect, closed-circuit ventilation with air-to-air heat exchanger and ext. fan in secondary circuit (IC616 / TEAAC)																K			
	Indirect, closed-circuit ventilation with air-to-water heat exchanger (IC81W / TEWAC)																N			
<u>15th position:</u> Mounting type	IM100x, IM110x																	A		
	IM120x, IM130x																	B		
	IM200x, IM240x																	C		
	IM210x																	D		
<u>16th position:</u> Category	Anti-friction bearings																			1
	Sleeve bearings																			2
<u>Z position:</u>	Options: Additional order code required. Refer to Chapter 3.																			Z

Overview**Performance features of the SIGENTICS M series**

The SIGENTICS M series of generators is characterized by:

- Modular design (main generator housing with different possible cooling top enclosures)
- Longest lifetime and highest reliability
- Globally proven Siemens MICALASTIC insulation system
- Extended range of options, that allow the generator to be adapted to customer requirements

Series	Version	Voltages	Powers	Degree of protection	Cooling method	Type of Ex protection	Type of construction
1DT1	IEC	3.3 kV ... 13.8 kV	1310 kVA ... 20100 kVA	IP23	IC01	–	IM 1001
1DK1				IP54	IC31 ¹⁾ IC81W		IM 1101

Cooling method	
IC01	Direct air cooling, open circuit ventilated
IC31 ¹⁾	Direct air cooling, inlet and outlet ducted
IC81W	Indirect air-water cooling

Type of construction	
IM 1001	Horizontal, with feet, without flange
IM 1101	Horizontal, with elevated feet, without flange

Degree of protection	
IP23	Open
IP54	Enclosed, protected against dust and splashed water from all directions

Derating factors

A deduction must be made from the nominal output according IEC 60034 in each of the following cases:

Utilization

Temperature rise	Derating factor
Insulation class / Utilization	Multiplier of nominal output
F/B	0.85
H/F	0.92
H/B	0.79

Example:

Conditions:

- Utilization: F/B
- Site elevation: 1500 m above sea level
- Cooling water temperature: 38 °C
- Requested output: 3500 kVA

$$3500 \text{ kVA} = 0.85 \times 0.98 \times 0.98 \times \text{Nominal output}$$

$$\text{Nominal output} = 3500 \text{ kVA} / (0.85 \times 0.98 \times 0.98) = 3500 \text{ kVA} / 0.81634 = \mathbf{4287 \text{ kVA}}$$

Site rated output

Site elevation above sea level	Derating factor
	Multiplier of nominal output
1000 m	1.00
1500 m	0.98
2000 m	0.96

Temperature		Derating factor	
		Multiplier of nominal output	
Cooling method: IC01	Cooling method: IC81W	Nominal output ≥ 5000 kVA	Nominal output < 5000 kVA
Medium: Air	Medium: Water		
45 °C	38 °C	0.96	0.98
50 °C	43 °C	0.92	0.94
55 °C	48 °C	0.88	0.90

¹⁾ On request.

Introduction

Modular industrial generators SIGENTICS M

Cooling concepts

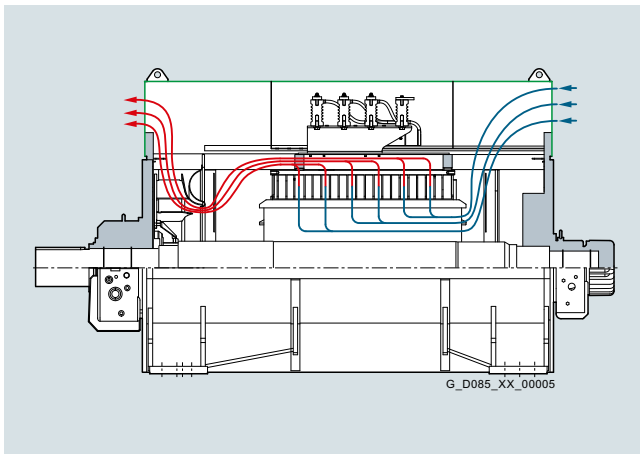
1

Mode of operation

The following diagrams show the general mode of operation of the cooling. They do not include any design details.

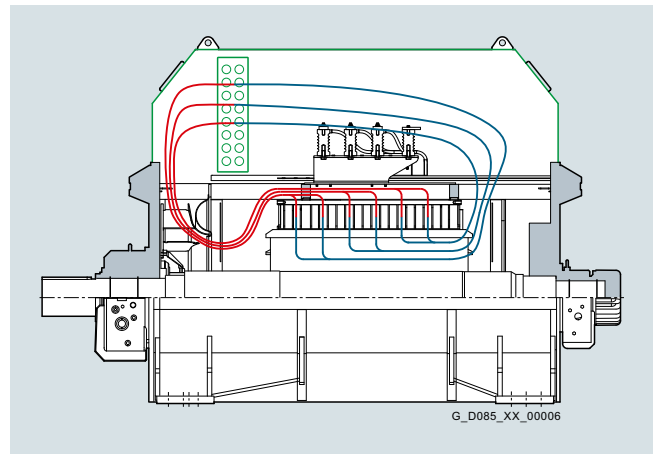
Open-circuit ventilation (IC01)

1DK1 series with one-sided ventilation

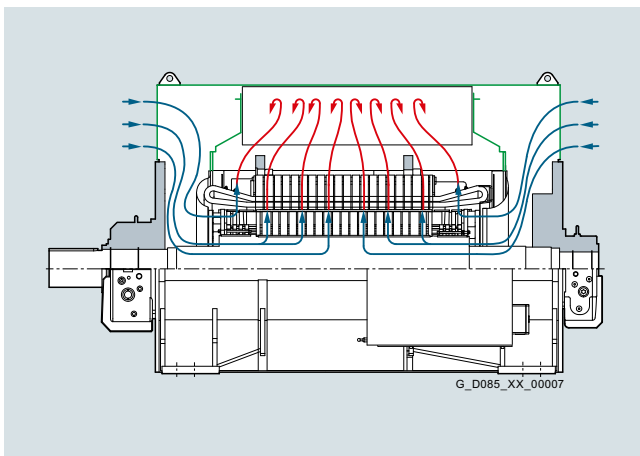


Air/water heat exchanger (IC81W)

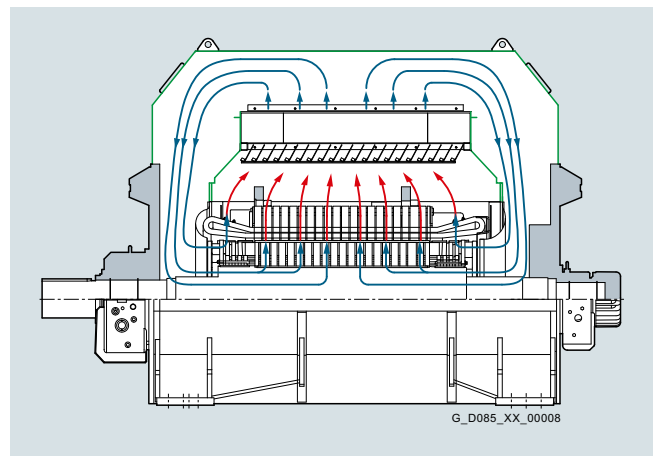
1DK1 series with one-sided ventilation



1DT1 series with two-sided ventilation



1DT1 series with two-sided ventilation



Overview**Generator protection**

A series of standard and optional monitoring and protective devices are available for generator protection.

Protective device	Description
Stator winding monitoring	6 Pt100 resistance thermometers for temperature monitoring as standard.
Bearing monitoring	Pt100 resistance thermometer for temperature monitoring as standard. Optional bearing housing vibration monitoring. For sleeve bearings: optional throttle valves and flowmeter in the oil intake line for circulating oil cooling.
Shaft vibration monitoring	Optional for generators with sleeve bearings.
Air temperature monitoring in the cooling circuit	Optional using a Pt100 resistance thermometer in the cooler assembly on the air intake and air discharge side flow.
Leakage water monitoring	For water-cooled generators, sensors in the cooler housing as standard
Anti-condensation heating	Standard for SIGENTICS M
Differential protection	Current transformers

Electrical design

SIGENTICS M generators have the Siemens MICALASTIC insulation system according to thermal class 155 (F).

The rotor designs of SIGENTICS M generators are as follows:

Rotor design		450	500	560	630	710	800	900
Frame size								
4-pole	Salient pole rotor					Cylindrical rotor		
6-pole	Salient pole rotor							
8-pole	Salient pole rotor							
10-pole	Salient pole rotor							
12-pole	Salient pole rotor							
14-pole	Salient pole rotor							

Introduction

General technical versions

1

Generator connection and terminal boxes

Overview

The generator terminal boxes are generously dimensioned. This design allows cables, which are generally used worldwide, to be simply and quickly connected up as well as to accommodate all of the generally used cable entry fittings.

Dimensional drawings

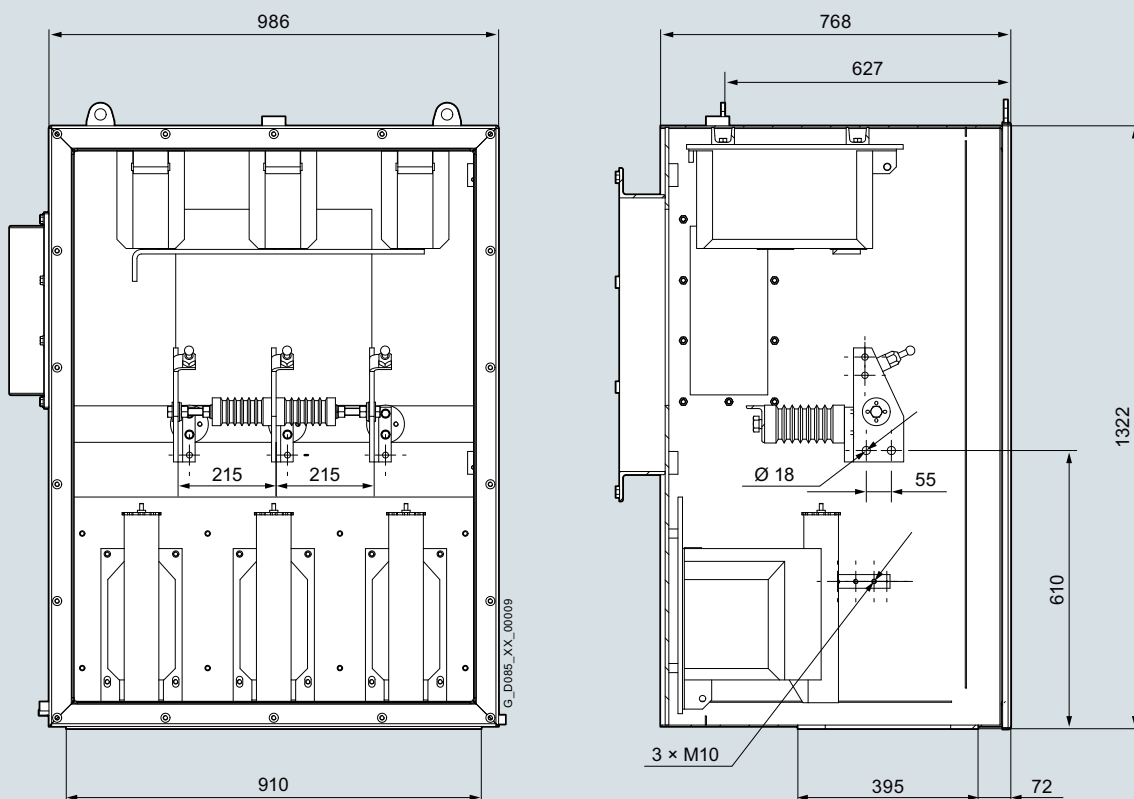
Arrangement of the generator for the terminal box (standard version):

For 1DT1 generators

The generator terminal boxes comprise a lower section or housing, bolted to the stator frame, and a removable cover.

When viewing the drive side, the terminal box is mounted at the right-hand side of the stator frame with the cable entry from bottom. When requested, it can be mounted on the left-hand side. Also optionally the generators can be ordered with the cable entry from top of the terminal box or from the non-drive end side.

The degree of protection of the terminal box is IP55. (Higher protection classes are available on request.)

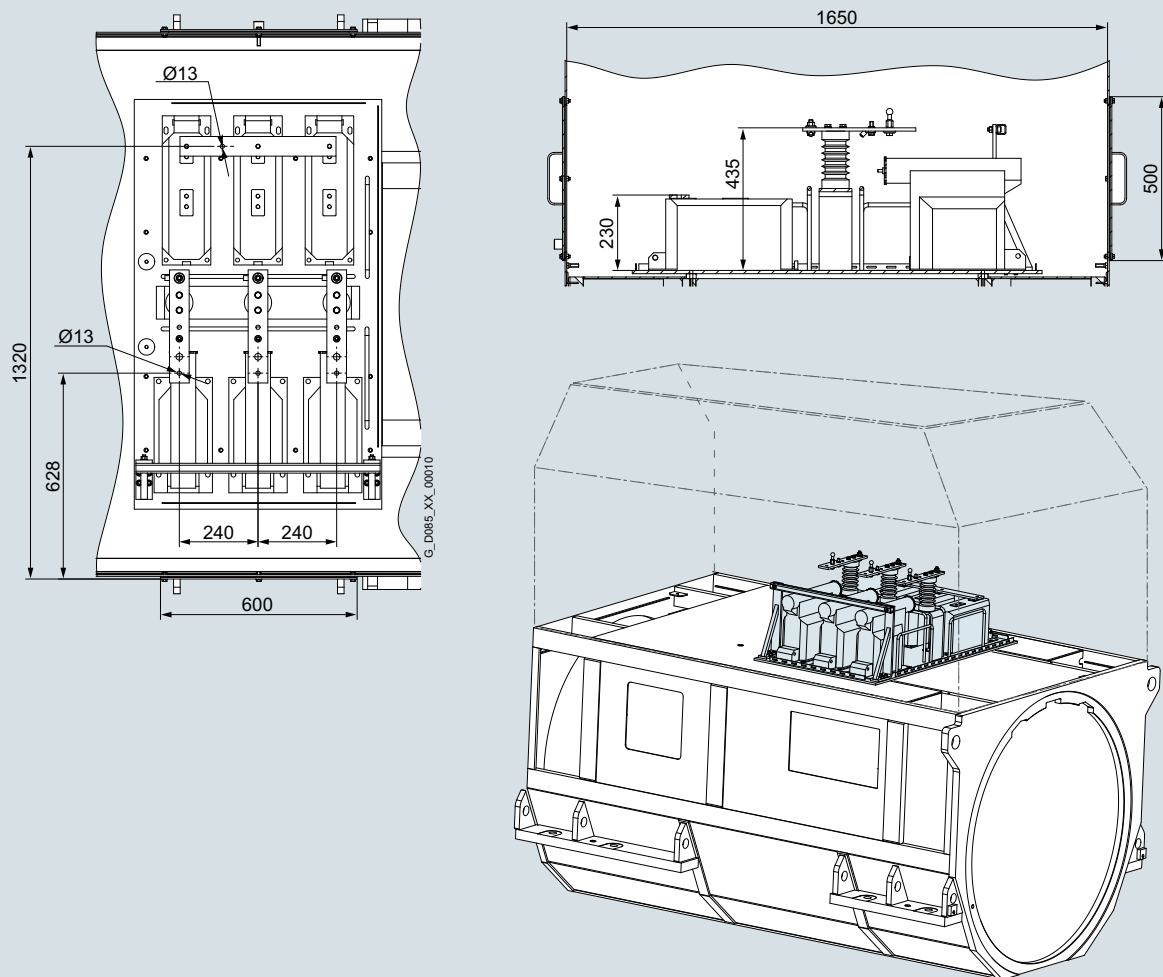


Dimensional drawings (continued)**For 1DK1 generators**

The terminal boxes are placed on top of the stator covered by the cooler housing.

When viewing the drive side, the cable entry is from the right-hand side. When requested, the cable entry can be placed from the left-hand side.

The degree of protection of the terminal box is IP54. (Higher protection classes are available on request.)

**Additional information**

The terminal arrangement is carried out according to DIN 42962.

All terminal boxes have cast-resin post insulators with bolted busbars.

Further, all terminal boxes are short-circuit proof. If arcs occur in the terminal box, the pressure generated is immediately dissipated using a pressure relief mechanism.

Generator connecting cables and cable entry fittings are not supplied with the generator.

Introduction

General technical versions

Mechanical design

Overview

Bearing version

Generators in shaft heights 710 and 800 mm have sleeve bearings as a standard. For shaft heights 560 and 630 mm, both anti-friction and sleeve bearings are available. The bearing cooling concept depends on the speed and application.

The drive end (DE) bearing is fixed; the non-drive end (NDE) is non-locating as standard in order to cope with shaft thermal expansion. Optionally, the generators can be equipped with both DE and NDE floating bearings with limited axial play (option **Q01**).

Each bearing is equipped with oil ring¹⁾ as a standard.

Overview, bearing versions

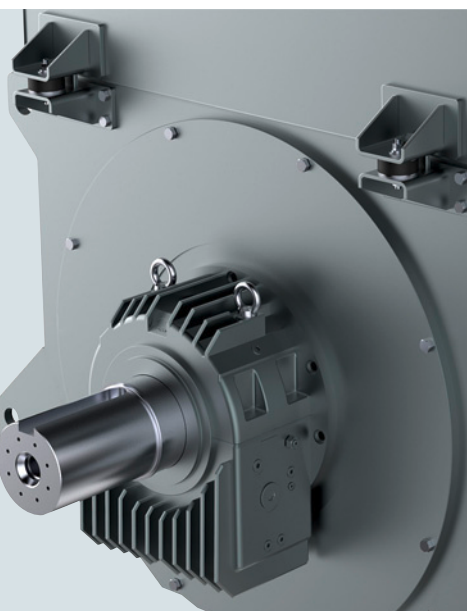
Shaft height Article No. 5th and 6th digit	Number of poles Article No. 11th and 12th digit	Frequency [Hz]	Oil ISO VG	T [°C]	Core length Article No. 8th and 9th digit	
08 (560 mm)					For all core lengths 0Q ... 1E	
	04 (4-pole)	50/60	46	40	Forced lubrication/Own lubrication unit	
	06 (6-pole)					
	08 (8-pole)	50/60	68	40	Permanent filling – self lubricated	
	10 (10-pole)					
10 (630 mm)					For all core lengths 0S ... 2R	
	04 (4-pole)	50/60	46	40	Forced lubrication/Own lubrication unit	
	06 (6-pole)					
	08 (8-pole)	50	68	40	Permanent filling – self lubricated	
		60	46	40	Forced lubrication/Own lubrication unit	
	10 (10-pole)	50	68	40	Permanent filling – self lubricated	
60		46	40	Forced lubrication/Own lubrication unit		
12 (710 mm)					1A ... 1M	1N ... 2H
	04 (4-pole)	50/60	46	40	Forced lubrication/Own lubrication unit	
	06 (6-pole)					
	08 (8-pole)					
	10 (10-pole)	50/60	46	40	Permanent filling – self lubricated	Forced lubrication/Own lubrication unit
	12 (12-pole)	50/60	68	40	Permanent filling – self lubricated	
	14 (14-pole)					
14 (800 mm)					For all core lengths 1F ... 2M	
	04 (4-pole)	50/60	46	40	Forced lubrication/Own lubrication unit	
	06 (6-pole)					
	08 (8-pole)					
	10 (10-pole)					
	12 (12-pole)	50/60	46	40	Permanent filling – self lubricated	
	14 (14-pole)					

Bearing insulation

NDE bearing is insulated, DE is not, however DE insulated bearing can be ordered optionally (option **L18**).

¹⁾ For marine applications with inclinations please see chapter 5 "Generators for marine applications".

Technical data



2/2	Overview
2/3	Low-voltage power range for IEC generators 1DK1, 1DT1 series
2/4	High-voltage power range for IEC generators 1DK1, 1DT1 series
2/5	Industrial applications
	Selection and ordering data
2/5	400 V, 50 Hz
2/6	450 V, 60 Hz
2/7	690 V, 50 Hz
2/8	690 V, 60 Hz
2/9	3.3 kV, 50 Hz
2/12	4.16 kV, 60 Hz
2/15	6.3 kV, 50 Hz
2/18	6.6 kV, 60 Hz
2/21	11 kV, 50 Hz
2/24	13.8 kV, 60 Hz
2/27	Marine applications
	Selection and ordering data
2/27	400 V, 50 Hz
2/28	450 V, 60 Hz
2/29	690 V, 50 Hz
2/30	690 V, 60 Hz
2/31	3.3 kV, 50 Hz
2/34	4.16 kV, 60 Hz
2/37	6.3 kV, 50 Hz
2/40	6.6 kV, 60 Hz
2/43	11 kV, 50 Hz
2/46	13.8 kV, 60 Hz
2/49	Industrial/Marine applications
	Dimensional drawings
	<u>IC81W cooling method</u>
2/49	1DK1 (Z ventilation), anti-friction bearing
2/84	1DK1 (Z ventilation), sleeve bearing
2/147	1DT1 (X ventilation), sleeve bearing
	<u>IC01 cooling method</u>
2/157	1DK1 (Z ventilation), anti-friction bearing
2/182	1DK1 (Z ventilation), sleeve bearing
2/245	1DT1 (X ventilation), sleeve bearing

Technical data

Overview

Overview



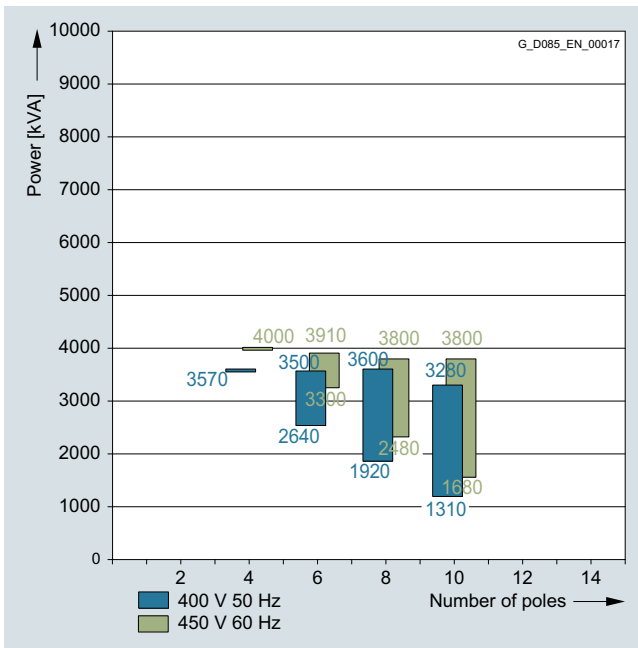
SIGENTICS M 1DT1/1DK1

Rated voltage	400 V ... 13.8 kV
Rated frequency	50/60 Hz
Generator type	Synchronous AC generator with brushless exciter
Type of construction	IM1001, IM1101
Degree of protection	IP54
Cooling method	IC01/IC81W
Stator and rotor winding insulation	400 ... 690 V: thermal class 180 (H), fully utilized 3.3 ... 13.8 kV: thermal class 155 (F), fully utilized
Shaft height	560 ... 800 mm
Bearings	Anti-friction bearings, sleeve bearings
Standards	IEC, EN
Frame design	Welded modular housing

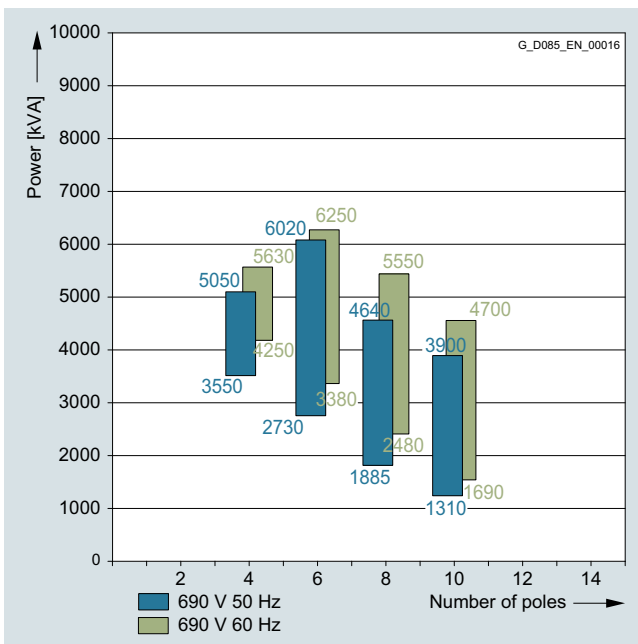
Overview

Insulation system, thermal class 180 (H), fully utilized. Ambient temperature up to 40 °C, installation altitude up to 1000 m.

400 to 450 V



690 V



Technical data

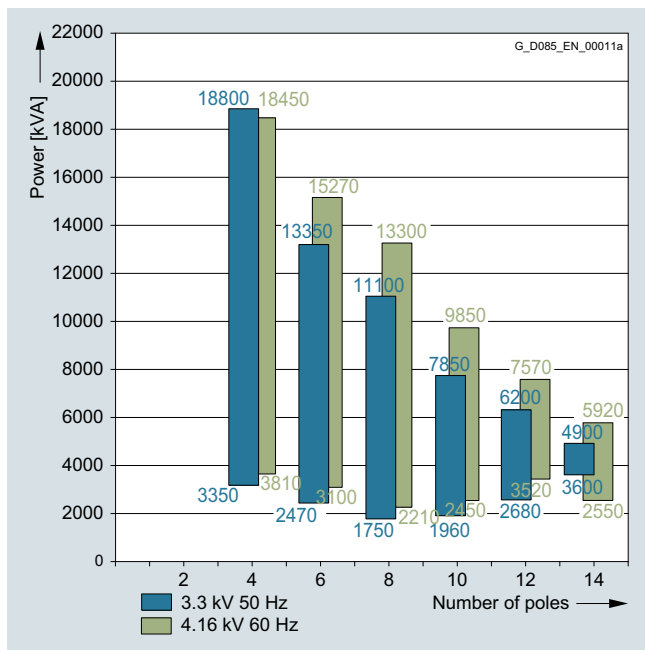
Overview

High-voltage power range for IEC generators 1DK1, 1DT1 series

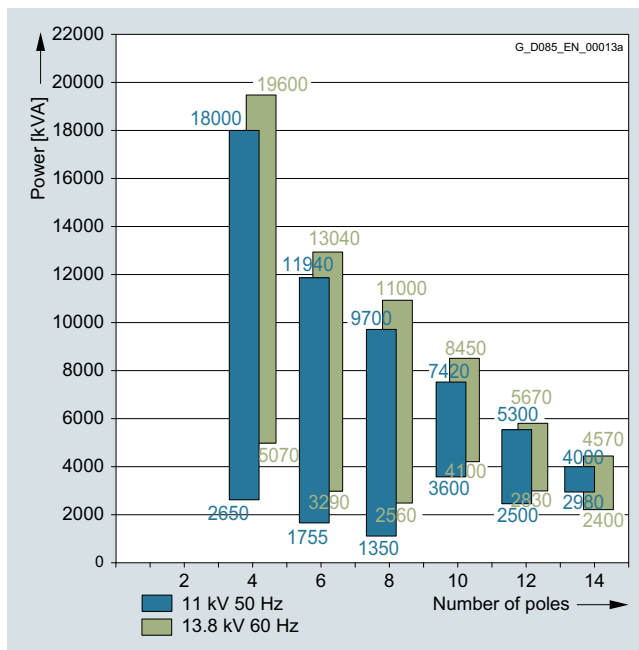
Overview

Insulation system, thermal class 155 (F), fully utilized. Ambient temperature up to 40 °C, installation altitude up to 1000 m.

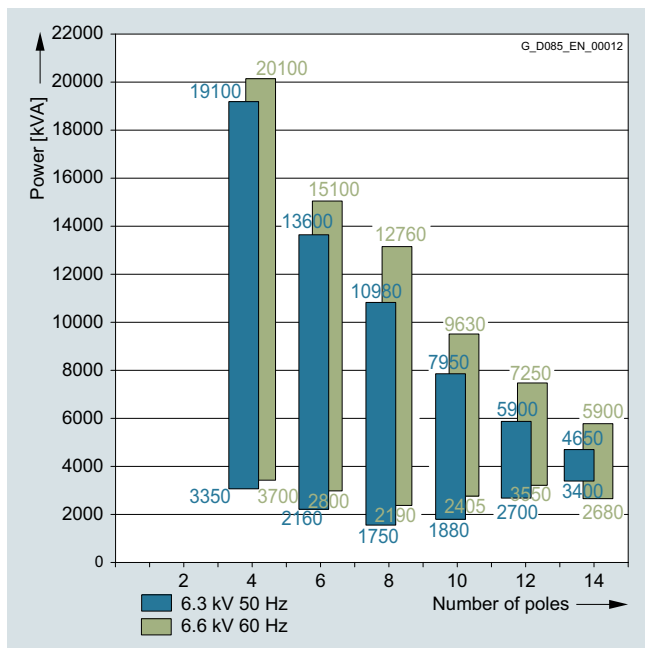
3.3 to 4.16 kV



11.0 to 13.8 kV



6.3 to 6.6 kV



Selection and ordering data

Rated power IEC P_{rated} 180 (H) kVA	SIGENTICS M Industrial applications Article No.	Rated current I_{rated} A	Efficiency		Subtransient reactance x_d'' (sat.) p. u.	Moment of inertia kgm ²
			Utilization to class 180 (H) %	Utilization to class 130 (B) ¹⁾ %		
400 V, 50 Hz, power factor 0.8 lagging						
4-pole						
3570	1DK1082-0TA04-0 ■ A ■	5153	95.99	96.15	0.216	86
6-pole						
2640	1DK1082-0UA06-0 ■ A ■	3811	96.01	96.26	0.192	118
3050	1DK1082-1AA06-0 ■ A ■	4402	96.19	96.60	0.178	141
3500	1DK1082-1GA06-0 ■ A ■	5052	96.72	96.82	0.138	170
8-pole						
1920	1DK1082-0TA08-0 ■ A ■	2771	95.30	95.90	0.227	143
2300	1DK1082-1AA08-0 ■ A ■	3320	95.86	96.27	0.199	179
2530	1DK1082-1EA08-0 ■ A ■	3652	96.14	96.29	0.146	204
2700	1DK1102-0TA08-0 ■ A ■	3897	96.06	96.50	0.251	215
3600	1DK1102-1JA08-0 ■ A ■	5196	96.83	97.07	0.177	341
10-pole						
1310	1DK1082-0QA10-0 ■ A ■	1891	94.17	94.97	0.287	132
1960	1DK1082-1CA10-0 ■ A ■	2829	95.35	95.84	0.199	204
2655	1DK1102-0YA10-0 ■ A ■	3832	95.86	96.37	0.231	314
2780	1DK1102-1EA10-0 ■ A ■	4013	95.84	96.30	0.210	369
3280	1DK1102-1MA10-0 ■ A ■	4734	96.25	96.53	0.198	446

Cooling method:

(14th position of the article number)

IC01

40 °C cooling air temperature

IC81W

32 °C cooling water temperature

Bearing version:

(16th position of the article number)

Anti-friction bearings

Sleeve bearings

F

N

1

2

Note:

Data for higher power ratings in pole numbers from 8 to 14 are available on request.

¹⁾ Power reduction according utilization class 130 (B)

Technical data

Industrial applications

Selection and ordering data

Rated power IEC P_{rated} 180 (H) kVA	SIGENTICS M Industrial applications Article No.	Rated current I_{rated} A	Efficiency		Subtransient reactance x_d'' (sat.) p. u.	Moment of inertia kgm ²
			Utilization to class 180 (H) %	Utilization to class 130 (B) ¹⁾ %		
450 V, 60 Hz, power factor 0.8 lagging						
4-pole						
4000	1DK1082-0RB04-0 ■ A ■	5132	95.81	96.01	0.276	80
6-pole						
3300	1DK1082-0UB06-0 ■ A ■	4234	96.05	96.44	0.212	118
3910	1DK1082-1AB06-0 ■ A ■	5017	96.60	96.81	0.167	141
8-pole						
2480	1DK1082-0TB08-0 ■ A ■	3182	95.94	96.31	0.197	143
2730	1DK1082-1AB08-0 ■ A ■	3503	96.10	96.46	0.208	179
3000	1DK1082-1EB08-0 ■ A ■	3849	96.39	96.53	0.164	204
3490	1DK1102-0TB08-0 ■ A ■	4478	95.94	96.43	0.307	215
3800	1DK1102-0WB08-0 ■ A ■	4875	96.38	96.68	0.231	241
10-pole						
1680	1DK1082-0QB10-0 ■ A ■	2155	95.21	95.82	0.251	132
1960	1DK1082-0UB10-0 ■ A ■	2515	95.69	96.10	0.214	158
2500	1DK1082-1CB10-0 ■ A ■	3208	95.72	96.21	0.241	204
2685	1DK1102-0SB10-0 ■ A ■	3445	95.77	96.30	0.271	248
3470	1DK1102-0YB10-0 ■ A ■	4452	95.77	96.34	0.287	314
3800	1DK1102-1EB10-0 ■ A ■	4875	96.29	96.66	0.239	369

Cooling method:

(14th position of the article number)

IC01

40 °C cooling air temperature

F

IC81W

32 °C cooling water temperature

N

Bearing version:

(16th position of the article number)

Anti-friction bearings

1

Sleeve bearings

2

Note:

Data for higher power ratings in pole numbers from 8 to 14 are available on request.

¹⁾ Power reduction according utilization class 130 (B)

Selection and ordering data

Rated power IEC P_{rated} 180 (H) kVA	SIGENTICS M Industrial applications Article No.	Rated current I_{rated} A	Efficiency		Subtransient reactance x_d'' (sat.) p. u.	Moment of inertia kgm ²
			Utilization to class 180 (H) %	Utilization to class 130 (B) ¹⁾ %		
690 V, 50 Hz, power factor 0.8 lagging						
4-pole						
3550	1DK1082-0TC04-0 ■ A ■	2970	95.84	96.15	0.290	86
4200	1DK1082-0WC04-0 ■ A ■	3514	96.08	96.42	0.253	97
4600	1DK1082-1AC04-0 ■ A ■	3849	96.40	96.70	0.236	107
5050	1DK1082-1DC04-0 ■ A ■	4226	96.50	96.76	0.221	117
6-pole						
2730	1DK1080-0UC06-0 ■ A ■	2284	96.16	96.56	0.246	118
3200	1DK1082-1AC06-0 ■ A ■	2678	96.35	96.64	0.203	141
3620	1DK1082-1GC06-0 ■ A ■	3029	96.74	97.00	0.193	170
4150	1DK1102-0YC06-0 ■ A ■	3472	96.56	96.87	0.194	229
4520	1DK1102-1CC06-0 ■ A ■	3782	96.70	96.98	0.205	253
5400	1DK1102-1HC06-0 ■ A ■	4518	96.87	97.18	0.175	292
6020	1DK1102-1NC06-0 ■ A ■	5037	97.08	97.33	0.163	332
8-pole						
1885	1DK1082-0TC08-0 ■ A ■	1577	95.38	95.87	0.246	143
2300	1DK1082-1AC08-0 ■ A ■	1925	96.18	96.37	0.159	179
2670	1DK1082-1EC08-0 ■ A ■	2234	96.39	96.69	0.146	204
3080	1DK1102-0WC08-0 ■ A ■	2577	96.42	96.82	0.238	241
3765	1DK1102-1DC08-0 ■ A ■	3150	96.56	96.95	0.222	295
4015	1DK1102-1JC08-0 ■ A ■	3360	96.67	97.03	0.225	341
4640	1DK1102-1PC08-0 ■ A ■	3882	96.84	97.19	0.235	385
10-pole						
1310	1DK1082-0QC10-0 ■ A ■	1096	94.30	95.08	0.278	132
1660	1DK1082-0WC10-0 ■ A ■	1389	95.21	95.69	0.194	171
1990	1DK1082-1CC10-0 ■ A ■	1665	95.42	95.92	0.223	204
2450	1DK1102-0VC10-0 ■ A ■	2050	95.79	96.39	0.259	281
2750	1DK1102-0YC10-0 ■ A ■	2301	95.72	96.34	0.257	314
3210	1DK1102-1EC10-0 ■ A ■	2686	96.10	96.61	0.241	369
3900	1DK1102-1RC10-0 ■ A ■	3263	96.56	96.83	0.165	490

Cooling method:

(14th position of the article number)

IC01

40 °C cooling air temperature

F

IC81W

32 °C cooling water temperature

N

Bearing version:

(16th position of the article number)

Anti-friction bearings

1

Sleeve bearings

2

Note:

Data for higher power ratings in pole numbers from 8 to 14 are available on request.

¹⁾ Power reduction according utilization class 130 (B)

Technical data

Industrial applications

Selection and ordering data

Rated power IEC P_{rated} 180 (H) kVA	SIGENTICS M Industrial applications Article No.	Rated current I_{rated} A	Efficiency		Subtransient reactance x_d'' (sat.) p. u.	Moment of inertia kgm ²
			Utilization to class 180 (H) %	Utilization to class 130 (B) ¹⁾ %		
690 V, 60 Hz, power factor 0.8 lagging						
4-pole						
4250	1DK1082-0RD04-0 ■ A ■	3556	95.87	96.15	0.271	80
4680	1DK1082-0TD04-0 ■ A ■	3916	96.19	96.42	0.250	86
4900	1DK1082-0WD04-0 ■ A ■	4100	96.37	96.52	0.225	97
5630	1DK1082-1AD04-0 ■ A ■	4711	96.64	96.75	0.202	107
6-pole						
3380	1DK1080-0UD06-0 ■ A ■	2828	96.40	96.67	0.188	118
3850	1DK1082-1AD06-0 ■ A ■	3221	96.52	96.69	0.171	141
4300	1DK1082-1GD06-0 ■ A ■	3598	96.87	97.12	0.150	170
4600	1DK1102-0VD06-0 ■ A ■	3849	96.30	96.64	0.240	206
5050	1DK1102-0YD06-0 ■ A ■	4226	96.43	96.63	0.209	229
5600	1DK1102-1CD06-0 ■ A ■	4686	96.78	97.06	0.195	253
6250	1DK1102-1HD06-0 ■ A ■	5230	97.11	97.17	0.137	292
8-pole						
2480	1DK1082-0TD08-0 ■ A ■	2075	96.10	96.44	0.189	143
2850	1DK1082-1AD08-0 ■ A ■	2385	96.03	96.40	0.238	179
3400	1DK1082-1ED08-0 ■ A ■	2845	96.65	96.86	0.153	204
3750	1DK1102-0WD08-0 ■ A ■	3138	96.09	96.59	0.342	241
4400	1DK1102-1AD08-0 ■ A ■	3682	96.54	96.91	0.278	269
4680	1DK1102-1DD08-0 ■ A ■	3916	96.79	97.10	0.226	295
5550	1DK1102-1PD08-0 ■ A ■	4644	97.01	97.22	0.214	385
10-pole						
1690	1DK1082-0QD10-0 ■ A ■	1414	95.20	95.81	0.271	132
2040	1DK1082-0UD10-0 ■ A ■	1707	95.40	96.01	0.268	158
2190	1DK1082-0WD10-0 ■ A ■	1832	95.60	96.13	0.253	171
2600	1DK1082-1CD10-0 ■ A ■	2176	95.87	96.36	0.238	204
2750	1DK1102-0SD10-0 ■ A ■	2301	95.63	96.29	0.314	248
3100	1DK1102-0VD10-0 ■ A ■	2594	96.12	96.61	0.260	281
3470	1DK1102-0YD10-0 ■ A ■	2903	96.10	96.63	0.273	314
4050	1DK1102-1ED10-0 ■ A ■	3389	96.35	96.75	0.243	369
4700	1DK1102-1MD10-0 ■ A ■	3933	96.54	96.90	0.224	446

Cooling method:

(14th position of the article number)

IC01
40 °C cooling air temperature**F**IC81W
32 °C cooling water temperature**N**

Bearing version:

(16th position of the article number)

Anti-friction bearings

1

Sleeve bearings

2

Note:

Data for higher power ratings in pole numbers from 8 to 14 are available on request.

¹⁾ Power reduction according utilization class 130 (B)

Selection and ordering data

Rated power IEC P_{rated} 155 (F) kVA	SIGENTICS M Industrial applications Article No.	Rated current I_{rated} A	Efficiency		Subtransient reactance x_d'' (sat.) p. u.	Moment of inertia kgm ²
			Utilization to class 155 (F) %	Utilization to class 130 (B) ¹⁾ %		
3.3 kV, 50 Hz, power factor 0.8 lagging						
4-pole						
3350	1DK1082-0TE04-0 ■ A ■	586	96.31	96.40	0.194	86
3750	1DK1082-0WE04-0 ■ A ■	656	96.48	96.54	0.176	97
4330	1DK1082-1AE04-0 ■ A ■	758	96.56	96.72	0.212	107
4700	1DK1082-1DE04-0 ■ A ■	822	96.87	96.96	0.170	117
5200	1DT1102-1BE04-0 ■ A ■	910	96.88	96.93	0.164	193
5700	1DT1102-1EE04-0 ■ A ■	997	97.04	97.06	0.141	210
6430	1DT1102-1JE04-0 ■ A ■	1125	97.04	97.06	0.144	231
7120	1DT1102-1PE04-0 ■ A ■	1246	97.35	97.39	0.127	256
7830	1DT1102-1TE04-0 ■ A ■	1370	97.53	97.55	0.109	277
8500	1DT1102-1YE04-0 ■ A ■	1487	97.58	97.57	0.094	306
9800	1DT1122-1PE04-0 ■ A2	1715	97.56	97.68	0.199	376
10700	1DT1122-1TE04-0 ■ A2	1872	97.60	97.71	0.174	406
12300	1DT1122-2CE04-0 ■ A2	2152	97.78	97.87	0.161	468
14000	1DT1142-1XE04-0 ■ A2	2449	97.97	98.05	0.184	624
18800	1DT1142-2ME04-0 ■ A2	3289	97.87	98.02	0.126	769
6-pole						
2470	1DK1082-0UE06-0 ■ A ■	432	96.20	96.45	0.180	118
2930	1DK1082-1AE06-0 ■ A ■	513	96.64	96.84	0.161	141
3330	1DK1082-1GE06-0 ■ A ■	583	96.85	97.01	0.143	170
3490	1DK1102-0VE06-0 ■ A ■	611	96.68	96.85	0.166	206
3830	1DK1102-0YE06-0 ■ A ■	670	96.70	96.86	0.176	229
4270	1DK1102-1CE06-0 ■ A ■	747	96.95	97.10	0.150	253
4820	1DK1102-1HE06-0 ■ A ■	843	97.00	97.16	0.170	292
5450	1DK1102-1NE06-0 ■ A ■	954	97.11	97.20	0.132	332
6270	1DK1122-1DE06-0 ■ A2	1097	96.88	97.05	0.221	388
7200	1DK1122-1KE06-0 ■ A2	1260	97.01	97.19	0.219	458
8000	1DK1122-1TE06-0 ■ A2	1400	97.30	97.44	0.194	550
9270	1DK1122-1WE06-0 ■ A2	1622	97.53	97.62	0.152	587
10770	1DK1142-1KE06-0 ■ A2	1884	96.97	97.11	0.226	791
11190	1DK1142-1PE06-0 ■ A2	1958	97.05	97.17	0.205	868
12640	1DK1142-1VE06-0 ■ A2	2211	97.24	97.35	0.202	985
13350	1DK1142-2BE06-0 ■ A2	2336	97.30	97.39	0.176	1082

Cooling method:

(14th position of the article number)

IC01

40 °C cooling air temperature

IC81W

32 °C cooling water temperature

F
N
Bearing version:

(16th position of the article number)

Anti-friction bearings

Sleeve bearings

1
2
¹⁾ Power reduction according utilization class 130 (B)

Technical data

Industrial applications

Selection and ordering data (continued)

Rated power IEC P_{rated} 155 (F) kVA	SIGENTICS M Industrial applications Article No.	Rated current I_{rated} A	Efficiency		Subtransient reactance x_d'' (sat.) p. u.	Moment of inertia kgm ²
			Utilization to class 155 (F) %	Utilization to class 130 (B) ¹⁾ %		
3.3 kV, 50 Hz, power factor 0.8 lagging						
8-pole						
1750	1DK1082-0TE08-0 ■ A ■	306	95.54	95.78	0.175	143
2140	1DK1082-1AE08-0 ■ A ■	374	95.98	96.12	0.163	179
2550	1DK1082-1EE08-0 ■ A ■	446	96.14	96.35	0.150	204
2580	1DK1102-0TE08-0 ■ A ■	451	95.88	96.26	0.282	215
2800	1DK1102-0WE08-0 ■ A ■	490	96.12	96.46	0.268	241
3230	1DK1102-1AE08-0 ■ A ■	565	96.29	96.63	0.258	269
3570	1DK1102-1DE08-0 ■ A ■	625	96.58	96.85	0.214	295
4090	1DK1102-1JE08-0 ■ A ■	716	96.83	97.07	0.202	341
4220	1DK1102-1PE08-0 ■ A ■	738	97.06	97.20	0.150	385
5000	1DK1122-1FE08-0 ■ A2	875	96.92	97.15	0.224	486
5450	1DK1122-1JE08-0 ■ A2	954	97.10	97.32	0.211	529
6080	1DK1122-1PE08-0 ■ A2	1064	97.13	97.34	0.206	598
6800	1DK1122-1VE08-0 ■ A2	1190	97.27	97.46	0.197	682
7350	1DK1122-2CE08-0 ■ A2	1286	97.45	97.59	0.172	766
7880	1DK1142-1JE08-0 ■ A2	1379	96.82	97.00	0.222	848
8100	1DK1142-1LE08-0 ■ A2	1417	96.95	97.08	0.196	891
8700	1DK1142-1PE08-0 ■ A2	1522	96.96	97.12	0.203	956
9430	1DK1142-1TE08-0 ■ A2	1650	97.08	97.22	0.194	1042
10200	1DK1142-1XE08-0 ■ A2	1785	97.11	97.26	0.198	1129
11100	1DK1142-2EE08-0 ■ A2	1942	97.26	97.40	0.194	1260
10-pole						
1960	1DK1102-0SE10-0 ■ A ■	343	95.22	95.72	0.251	248
2200	1DK1102-0VE10-0 ■ A ■	385	95.71	96.10	0.209	281
2450	1DK1102-0YE10-0 ■ A ■	429	95.97	96.31	0.198	314
2880	1DK1102-1EE10-0 ■ A ■	504	96.10	96.44	0.206	369
3400	1DK1102-1ME10-0 ■ A ■	595	96.32	96.58	0.179	446
3660	1DK1102-1RE10-0 ■ A ■	640	96.48	96.72	0.171	490
4300	1DK1122-1JE10-0 ■ A2	752	96.72	96.93	0.202	636
4500	1DK1122-1ME10-0 ■ A2	787	96.78	96.99	0.214	686
5100	1DK1122-1SE10-0 ■ A2	892	97.01	97.19	0.190	771
5650	1DK1122-1YE10-0 ■ A2	988	97.05	97.17	0.166	872
6240	1DK1142-1LE10-0 ■ A2	1092	96.83	97.02	0.233	1002
7080	1DK1142-1TE10-0 ■ A2	1239	96.96	97.10	0.205	1172
7380	1DK1142-1XE10-0 ■ A2	1291	97.06	97.15	0.180	1270
7850	1DK1142-2EE10-0 ■ A2	1373	97.11	97.16	0.162	1417

Cooling method:

(14th position of the article number)

IC01

40 °C cooling air temperature

F

IC81W

32 °C cooling water temperature

N

Bearing version:

(16th position of the article number)

Anti-friction bearings

1

Sleeve bearings

2

¹⁾ Power reduction according utilization class 130 (B)

Selection and ordering data (continued)

Rated power IEC P_{rated} 155 (F) kVA	SIGENTICS M Industrial applications Article No.	Rated current I_{rated} A	Efficiency		Subtransient reactance x_d'' (sat.) p. u.	Moment of inertia kgm ²
			Utilization to class 155 (F) %	Utilization to class 130 (B) ¹⁾ %		
3.3 kV, 50 Hz, power factor 0.8 lagging						
12-pole						
2680	1DK1122-1AE12-0 A2	469	95.98	96.13	0.180	548
2950	1DK1122-1DE12-0 A2	516	96.08	96.22	0.180	604
3200	1DK1122-1GE12-0 A2	560	96.19	96.31	0.172	661
3930	1DK1122-1RE12-0 A2	688	96.40	96.59	0.202	828
4360	1DK1122-1VE12-0 A2	763	96.50	96.66	0.186	903
4740	1DK1142-1JE12-0 A2	829	96.58	96.81	0.221	1153
5400	1DK1142-1NE12-0 A2	945	96.63	96.84	0.202	1272
5620	1DK1142-1SE12-0 A2	983	96.77	96.95	0.193	1391
6200	1DK1142-1XE12-0 A2	1085	96.88	97.04	0.191	1539
14-pole						
3600	1DK1142-1GE14-0 A2	630	96.15	96.46	0.226	1208
4120	1DK1142-1NE14-0 A2	721	96.25	96.49	0.191	1405
4700	1DK1142-1XE14-0 A2	822	96.55	96.74	0.189	1699
4900	1DK1142-2CE14-0 A2	857	96.64	96.80	0.180	1830

Cooling method:

(14th position of the article number)

 IC01
 40 °C cooling air temperature

F

 IC81W
 32 °C cooling water temperature

N
¹⁾ Power reduction according utilization class 130 (B)

Technical data

Industrial applications

Selection and ordering data

Rated power IEC P_{rated} 155 (F) kVA	SIGENTICS M Industrial applications Article No.	Rated current I_{rated} A	Efficiency		Subtransient reactance x_d'' (sat.) p. u.	Moment of inertia kgm ²
			Utilization to class 155 (F) %	Utilization to class 130 (B) ¹⁾ %		
4.16 kV, 60 Hz, power factor 0.8 lagging						
4-pole						
3810	1DK1082-0RF04-0 ■ A ■	529	95.95	96.08	0.258	80
4290	1DK1082-0TF04-0 ■ A ■	595	96.21	96.33	0.242	86
4550	1DK1082-0WF04-0 ■ A ■	631	96.55	96.62	0.209	97
5430	1DK1082-1AF04-0 ■ A ■	754	96.75	96.84	0.198	107
5420	1DT1102-0VF04-0 ■ A ■	752	96.95	96.98	0.177	168
5920	1DT1102-0XF04-0 ■ A ■	822	97.00	97.09	0.200	179
6600	1DT1102-1BF04-0 ■ A ■	916	97.24	97.29	0.161	193
7240	1DT1102-1EF04-0 ■ A ■	1005	97.31	97.40	0.185	210
8220	1DT1102-1JF04-0 ■ A ■	1141	97.55	97.60	0.142	231
9000	1DT1102-1PF04-0 ■ A ■	1249	97.62	97.64	0.118	256
10400	1DT1122-1HF04-0 ■ A2	1443	97.46	97.56	0.233	330
12200	1DT1122-1PF04-0 ■ A2	1693	97.67	97.74	0.198	376
13600	1DT1122-1WF04-0 ■ A2	1887	97.72	97.78	0.174	432
14600	1DT1122-2CF04-0 ■ A2	2026	97.86	97.88	0.146	468
15000	1DT1142-1NF04-0 ■ A2	2082	97.87	97.90	0.176	527
18450	1DT1142-1XF04-0 ■ A2	2561	98.02	98.06	0.178	624
6-pole						
3100	1DK1082-0UF06-0 ■ A ■	430	96.34	96.52	0.174	118
3650	1DK1082-1AF06-0 ■ A ■	507	96.66	96.82	0.165	141
3830	1DK1082-1GF06-0 ■ A ■	532	96.95	97.00	0.128	170
4250	1DK1102-0VF06-0 ■ A ■	590	96.62	96.67	0.164	206
4900	1DK1102-0YF06-0 ■ A ■	680	96.70	96.88	0.194	229
5320	1DK1102-1CF06-0 ■ A ■	738	96.86	96.93	0.166	253
5650	1DK1102-1HF06-0 ■ A ■	784	97.02	97.17	0.172	292
6920	1DK1102-1NF06-0 ■ A ■	960	97.33	97.40	0.129	332
7620	1DK1122-1DF06-0 ■ A2	1058	97.02	97.11	0.206	388
8740	1DK1122-1KF06-0 ■ A2	1213	97.14	97.25	0.207	458
9580	1DK1122-1TF06-0 ■ A2	1330	97.41	97.48	0.180	550
11440	1DK1142-1FF06-0 ■ A2	1588	96.78	96.81	0.208	714
13100	1DK1142-1KF06-0 ■ A2	1818	96.97	97.02	0.213	791
13730	1DK1142-1PF06-0 ■ A2	1906	97.07	97.10	0.194	868
15270	1DK1142-1VF06-0 ■ A2	2119	97.17	97.22	0.196	985

Cooling method:

(14th position of the article number)

IC01

40 °C cooling air temperature

IC81W

32 °C cooling water temperature

F

N

Bearing version:

(16th position of the article number)

Anti-friction bearings

Sleeve bearings

1

2

¹⁾ Power reduction according utilization class 130 (B)

Selection and ordering data (continued)

Rated power IEC P_{rated} 155 (F) kVA	SIGENTICS M Industrial applications Article No.	Rated current I_{rated} A	Efficiency		Subtransient reactance x_d'' (sat.) p. u.	Moment of inertia kgm ²
			Utilization to class 155 (F) %	Utilization to class 130 (B) ¹⁾ %		
4.16 kV, 60 Hz, power factor 0.8 lagging						
8-pole						
2210	1DK1082-0TF08-0 ■ A ■	307	95.78	96.03	0.180	143
2760	1DK1082-1AF08-0 ■ A ■	383	96.24	96.44	0.156	179
3070	1DK1082-1EF08-0 ■ A ■	426	96.50	96.65	0.140	204
3270	1DK1102-0TF08-0 ■ A ■	454	96.15	96.48	0.278	215
3550	1DK1102-0WF08-0 ■ A ■	493	96.44	96.72	0.260	241
4130	1DK1102-1AF08-0 ■ A ■	573	96.56	96.84	0.253	269
4450	1DK1102-1DF08-0 ■ A ■	618	96.80	97.03	0.216	295
5070	1DK1102-1JF08-0 ■ A ■	704	97.00	97.19	0.194	341
5700	1DK1102-1PF08-0 ■ A ■	791	97.14	97.32	0.195	385
6350	1DK1122-1FF08-0 ■ A2	881	97.06	97.24	0.217	486
6700	1DK1122-1JF08-0 ■ A2	930	97.18	97.34	0.201	529
7520	1DK1122-1PF08-0 ■ A2	1044	97.28	97.43	0.195	598
8400	1DK1122-1VF08-0 ■ A2	1166	97.40	97.54	0.189	682
8930	1DK1122-2CF08-0 ■ A2	1239	97.54	97.63	0.163	766
9700	1DK1142-1JF08-0 ■ A2	1346	96.87	96.98	0.209	848
10100	1DK1142-1LF08-0 ■ A2	1402	96.96	97.05	0.198	891
10820	1DK1142-1PF08-0 ■ A2	1502	96.99	97.08	0.193	956
11700	1DK1142-1TF08-0 ■ A2	1624	97.14	97.22	0.192	1042
12800	1DK1142-1XF08-0 ■ A2	1776	97.14	97.23	0.189	1129
13300	1DK1142-2EF08-0 ■ A2	1846	97.31	97.37	0.179	1260
10-pole						
2450	1DK1102-0SF10-0 ■ A ■	340	95.61	96.02	0.241	248
2780	1DK1102-0VF10-0 ■ A ■	386	95.80	96.19	0.251	281
3160	1DK1102-0YF10-0 ■ A ■	439	96.05	96.39	0.248	314
3580	1DK1102-1EF10-0 ■ A ■	497	96.43	96.68	0.216	369
4150	1DK1102-1MF10-0 ■ A ■	576	96.59	96.80	0.204	446
4300	1DK1102-1RF10-0 ■ A ■	597	96.74	96.91	0.191	490
5070	1DK1122-1JF10-0 ■ A2	704	97.03	97.20	0.199	636
5600	1DK1122-1MF10-0 ■ A2	777	96.98	97.14	0.202	686
6050	1DK1122-1SF10-0 ■ A2	840	97.12	97.23	0.183	771
6620	1DK1122-1YF10-0 ■ A2	919	97.23	97.32	0.175	872
7100	1DK1142-1GF10-0 ■ A2	985	96.78	96.94	0.244	904
7700	1DK1142-1LF10-0 ■ A2	1069	96.92	97.04	0.218	1002
8500	1DK1142-1TF10-0 ■ A2	1180	97.09	97.19	0.217	1172
9270	1DK1142-1XF10-0 ■ A2	1287	97.12	97.21	0.208	1270
9850	1DK1142-2EF10-0 ■ A2	1367	97.26	97.31	0.190	1417

Cooling method:

(14th position of the article number)

IC01

40 °C cooling air temperature

F

IC81W

32 °C cooling water temperature

N

Bearing version:

(16th position of the article number)

Anti-friction bearings

1

Sleeve bearings

2

¹⁾ Power reduction according utilization class 130 (B)

Technical data

Industrial applications

Selection and ordering data (continued)

Rated power IEC P_{rated} 155 (F) kVA	SIGENTICS M Industrial applications Article No.	Rated current I_{rated} A	Efficiency		Subtransient reactance x_d'' (sat.) p. u.	Moment of inertia kgm ²
			Utilization to class 155 (F) %	Utilization to class 130 (B) ¹⁾ %		
4.16 kV, 60 Hz, power factor 0.8 lagging						
12-pole						
3520	1DK1122-1AF12-0 ■ A2	489	96.13	96.34	0.218	548
3880	1DK1122-1DF12-0 ■ A2	538	96.24	96.45	0.220	604
4220	1DK1122-1GF12-0 ■ A2	586	96.41	96.60	0.212	661
4730	1DK1122-1MF12-0 ■ A2	656	96.66	96.86	0.216	753
4940	1DK1122-1RF12-0 ■ A2	686	96.74	96.88	0.202	903
5380	1DK1122-1VF12-0 ■ A2	747	96.71	96.81	0.177	903
5800	1DK1142-1JF12-0 ■ A2	805	96.68	96.84	0.208	1153
6600	1DK1142-1NF12-0 ■ A2	916	96.66	96.80	0.192	1272
7000	1DK1142-1SF12-0 ■ A2	972	96.84	96.94	0.182	1391
7570	1DK1142-1XF12-0 ■ A2	1051	96.93	97.02	0.180	1539
14-pole						
2550	1DK1122-1DF14-0 ■ A2	354	95.65	95.84	0.207	616
3000	1DK1122-1JF14-0 ■ A2	416	95.86	96.04	0.210	712
3530	1DK1122-1RF14-0 ■ A2	490	96.16	96.30	0.208	845
4120	1DK1122-1XF14-0 ■ A2	572	96.34	96.50	0.224	960
4580	1DK1142-1GF14-0 ■ A2	636	96.23	96.53	0.234	1208
5150	1DK1142-1NF14-0 ■ A2	715	96.47	96.72	0.226	1405
5920	1DK1142-1XF14-0 ■ A2	822	96.58	96.73	0.184	1699

Cooling method:

(14th position of the article number)

IC01

40 °C cooling air temperature

F

IC81W

32 °C cooling water temperature

N

¹⁾ Power reduction according utilization class 130 (B)

Selection and ordering data

Rated power IEC P_{rated} 155 (F) kVA	SIGENTICS M Industrial applications Article No.	Rated current I_{rated} A	Efficiency		Subtransient reactance x_d'' (sat.) p. u.	Moment of inertia kgm ²
			Utilization to class 155 (F) %	Utilization to class 130 (B) ¹⁾ %		
6.3 kV, 50 Hz, power factor 0.8 lagging						
4-pole						
3350	1DK1082-0TH04-0 ■ A ■	307	96.08	96.22	0.209	86
3630	1DK1082-0WH04-0 ■ A ■	333	96.37	96.44	0.182	97
3985	1DK1082-1AH04-0 ■ A ■	365	96.37	96.53	0.211	107
4500	1DK1082-1DH04-0 ■ A ■	412	96.71	96.82	0.176	117
5100	1DT1102-1MH04-0 ■ A ■	467	96.72	96.77	0.162	193
5730	1DT1102-1EH04-0 ■ A ■	525	96.86	96.94	0.158	210
6400	1DT1102-1JH04-0 ■ A ■	587	97.05	97.13	0.151	231
7150	1DT1102-1PH04-0 ■ A ■	655	97.23	97.31	0.141	256
7800	1DT1102-1TH04-0 ■ A ■	715	97.37	97.44	0.124	277
8620	1DT1102-1YH04-0 ■ A ■	790	97.50	97.53	0.102	306
9700	1DT1122-1PH04-0 ■ A2	889	97.62	97.71	0.174	376
10500	1DT1122-1TH04-0 ■ A2	962	97.64	97.73	0.163	406
11400	1DT1122-1WH04-0 ■ A2	1045	97.74	97.83	0.164	432
12400	1DT1122-2CH04-0 ■ A2	1136	97.75	97.83	0.149	468
13400	1DT1122-2HH04-0 ■ A2	1228	97.67	97.86	0.148	508
14000	1DT1142-1TH04-0 ■ A2	1283	97.91	97.97	0.156	580
15200	1DT1142-1XH04-0 ■ A2	1393	98.00	98.05	0.147	624
17000	1DT1142-2EH04-0 ■ A2	1558	98.03	98.08	0.142	690
19100	1DT1142-2MH04-0 ■ A2	1750	98.14	98.18	0.135	769
6-pole						
2160	1DK1080-0UH06-0 ■ A ■	198	95.88	96.14	0.178	118
2820	1DK1082-1AH06-0 ■ A ■	258	96.38	96.57	0.150	141
3130	1DK1082-1GH06-0 ■ A ■	287	96.63	96.73	0.116	170
3440	1DK1102-0VH06-0 ■ A ■	315	96.45	96.64	0.181	206
3820	1DK1102-0YH06-0 ■ A ■	350	96.52	96.75	0.180	229
4180	1DK1102-1CH04-0 ■ A ■	383	96.66	96.87	0.167	253
4750	1DK1102-1HH06-0 ■ A ■	435	96.98	97.09	0.144	292
5380	1DK1102-1NH06-0 ■ A ■	493	97.13	97.22	0.133	332
6200	1DK1122-1DH06-0 ■ A2	568	96.89	97.03	0.187	388
7240	1DK1122-1KH06-0 ■ A2	663	97.13	97.25	0.173	458
8450	1DK1122-1TH06-0 ■ A2	774	97.38	97.47	0.149	550
9000	1DK1122-1WH06-0 ■ A2	825	97.42	97.49	0.140	587
10500	1DK1142-1KH06-0 ■ A2	962	96.92	97.04	0.208	791
11020	1DK1142-1PH06-0 ■ A2	1010	97.07	97.16	0.187	868
12700	1DK1142-1VH06-0 ■ A2	1164	97.23	97.32	0.180	985
13600	1DK1142-2BH06-0 ■ A2	1246	97.35	97.40	0.153	1082

Cooling method:

(14th position of the article number)

IC01

40 °C cooling air temperature

F

IC81W

32 °C cooling water temperature

N

Bearing version:

(16th position of the article number)

Anti-friction bearings

1

Sleeve bearings

2

¹⁾ Power reduction according utilization class 130 (B)

Technical data

Industrial applications

Selection and ordering data (continued)

Rated power IEC P_{rated} 155 (F) kVA	SIGENTICS M Industrial applications Article No.	Rated current I_{rated} A	Efficiency		Subtransient reactance x_d'' (sat.) p. u.	Moment of inertia kgm ²
			Utilization to class 155 (F) %	Utilization to class 130 (B) ¹⁾ %		
6.3 kV, 50 Hz, power factor 0.8 lagging						
8-pole						
1750	1DK1082-0TH08-0 ■ A ■	160	95.51	95.75	0.177	143
2030	1DK1082-1AH08-0 ■ A ■	186	95.90	96.11	0.172	179
2310	1DK1082-1EH08-0 ■ A ■	212	96.17	96.28	0.139	204
2520	1DK1102-0TH08-0 ■ A ■	231	95.85	96.20	0.246	215
2820	1DK1102-0WH08-0 ■ A ■	258	96.11	96.43	0.230	241
3130	1DK1102-1AH08-0 ■ A ■	287	96.38	96.66	0.205	269
3450	1DK1102-1DH08-0 ■ A ■	316	96.42	96.70	0.206	295
3870	1DK1102-1JH08-0 ■ A ■	355	96.74	96.95	0.175	341
4400	1DK1102-1PH08-0 ■ A ■	403	96.89	97.09	0.173	385
4880	1DK1122-1FH08-0 ■ A2	447	96.86	97.07	0.199	486
5250	1DK1122-1JH08-0 ■ A2	481	97.02	97.19	0.180	529
5900	1DK1122-1PH08-0 ■ A2	541	97.13	97.29	0.171	598
6550	1DK1122-1VH08-0 ■ A2	600	97.28	97.40	0.156	682
7100	1DK1122-2CH08-0 ■ A2	651	97.38	97.50	0.158	766
7600	1DK1142-1JH08-0 ■ A2	696	96.80	96.96	0.208	848
7950	1DK1142-1LH08-0 ■ A2	729	96.84	96.98	0.195	891
8550	1DK1142-1PH08-0 ■ A2	784	96.95	97.08	0.189	956
9270	1DK1142-1TH08-0 ■ A2	850	97.05	97.17	0.185	1042
9950	1DK1142-1XH08-0 ■ A2	912	97.11	97.22	0.178	1129
10980	1DK1142-2EH08-0 ■ A2	1006	97.23	97.33	0.172	1260
10-pole						
1880	1DK1102-0SH10-0 ■ A ■	172	95.04	95.52	0.224	248
2150	1DK1102-0VH10-0 ■ A ■	197	95.34	95.78	0.217	281
2380	1DK1102-0YH10-0 ■ A ■	218	95.63	96.00	0.192	314
2725	1DK1102-1EH10-0 ■ A ■	250	95.82	96.14	0.177	369
3200	1DK1102-1MH10-0 ■ A ■	293	96.19	96.42	0.154	446
3440	1DK1102-1RH10-0 ■ A ■	315	96.25	96.46	0.146	490
4100	1DK1122-1JH10-0 ■ A2	376	96.64	96.83	0.187	636
4500	1DK1122-1MH10-0 ■ A2	412	96.62	96.82	0.186	686
4820	1DK1122-1SH10-0 ■ A2	442	96.89	97.03	0.176	771
5300	1DK1122-1YH10-0 ■ A2	486	97.04	97.17	0.172	872
5520	1DK1142-1GH10-0 ■ A2	506	96.60	96.81	0.238	904
6000	1DK1142-1LH10-0 ■ A2	550	96.80	96.95	0.206	1002
6890	1DK1142-1TH10-0 ■ A2	631	96.91	97.04	0.195	1172
7500	1DK1142-1XH10-0 ■ A2	687	97.01	97.15	0.202	1270
7950	1DK1142-2EH10-0 ■ A2	729	97.12	97.21	0.183	1417

Cooling method:

(14th position of the article number)

IC01

40 °C cooling air temperature

F

IC81W

32 °C cooling water temperature

N

Bearing version:

(16th position of the article number)

Anti-friction bearings

1

Sleeve bearings

2

¹⁾ Power reduction according utilization class 130 (B)

Selection and ordering data (continued)

Rated power IEC P_{rated} 155 (F) kVA	SIGENTICS M Industrial applications Article No.	Rated current I_{rated} A	Efficiency		Subtransient reactance x_d'' (sat.) p. u.	Moment of inertia kgm ²
			Utilization to class 155 (F) %	Utilization to class 130 (B) ¹⁾ %		
6.3 kV, 50 Hz, power factor 0.8 lagging						
12-pole						
2700	1DK1122-1AH12-0 A2	247	95.69	95.93	0.207	548
2990	1DK1122-1DH12-0 A2	274	95.87	96.10	0.203	604
3280	1DK1122-1GH12-0 A2	301	96.03	96.24	0.195	661
3700	1DK1122-1MH12-0 A2	339	96.19	96.38	0.194	753
3880	1DK1122-1RH12-0 A2	356	96.31	96.45	0.172	828
4100	1DK1122-1VH12-0 A2	376	96.31	96.45	0.167	903
4700	1DK1142-1JH12-0 A2	431	96.37	96.56	0.179	1153
5180	1DK1142-1NH12-0 A2	475	96.49	96.67	0.182	1272
5400	1DK1142-1SH12-0 A2	495	96.62	96.76	0.171	1391
5900	1DK1142-1XH12-0 A2	541	96.72	96.84	0.165	1539
14-pole						
3400	1DK1142-1GH14-0 A2	312	95.80	96.10	0.194	1208
3900	1DK1142-1NH14-0 A2	357	96.21	96.47	0.202	1405
4450	1DK1142-1XH14-0 A2	408	96.38	96.54	0.169	1699
4650	1DK1142-2CH14-0 A2	426	96.43	96.55	0.158	1830

Cooling method:

(14th position of the article number)

IC01

40 °C cooling air temperature

F

IC81W

32 °C cooling water temperature

N
¹⁾ Power reduction according utilization class 130 (B)

Technical data

Industrial applications

Selection and ordering data

Rated power IEC P_{rated} 155 (F) kVA	SIGENTICS M Industrial applications Article No.	Rated current	Efficiency		Subtransient reactance	Moment of inertia
		I_{rated} A	Utilization to class 155 (F) %	Utilization to class 130 (B) ¹⁾ %	x_d'' (sat.) p. u.	kgm ²
6.6 kV, 60 Hz, power factor 0.8 lagging						
4-pole						
3700	1DK1082-0RK04-0 ■ A ■	324	95.94	96.05	0.240	80
4140	1DK1082-0TK04-0 ■ A ■	362	96.14	96.23	0.221	86
4360	1DK1082-0WK04-0 ■ A ■	381	96.43	96.45	0.184	97
5000	1DK1082-1AK04-0 ■ A ■	437	96.61	96.70	0.201	107
5340	1DT1102-0VK04-0 ■ A ■	467	96.77	96.85	0.195	168
5850	1DT1102-0XK04-0 ■ A ■	512	96.91	97.00	0.186	179
6400	1DT1102-1BK04-0 ■ A ■	560	97.03	97.12	0.176	193
7100	1DT1102-1EK04-0 ■ A ■	621	97.22	97.31	0.165	210
8080	1DT1102-1JK04-0 ■ A ■	707	97.38	97.47	0.156	231
8770	1DT1102-1PK04-0 ■ A ■	767	97.53	97.60	0.139	256
10400	1DT1122-1HK04-0 ■ A2	910	97.56	97.61	0.189	330
11800	1DT1122-1PK04-0 ■ A2	1032	97.70	97.73	0.200	376
12300	1DT1122-1TK04-0 ■ A2	1076	97.72	97.77	0.178	406
13300	1DT1122-1WK04-0 ■ A2	1163	97.74	97.79	0.167	432
15000	1DT1142-1NK04-0 ■ A2	1312	97.88	97.90	0.172	527
16800	1DT1142-1TK04-0 ■ A2	1470	97.98	98.01	0.170	580
18000	1DT1142-1XK04-0 ■ A2	1575	98.01	98.03	0.154	624
20100	1DT1142-2EK04-0 ■ A2	1758	98.10	98.11	0.144	690
6-pole						
2800	1DK1080-0UK06-0 ■ A ■	245	96.36	96.46	0.172	118
3330	1DK1082-1AK06-0 ■ A ■	291	96.51	96.64	0.145	141
3560	1DK1082-1GK06-0 ■ A ■	311	96.78	96.88	0.138	170
4110	1DK1102-0VK06-0 ■ A ■	360	96.44	96.64	0.202	206
4850	1DK1102-0YK06-0 ■ A ■	424	96.62	96.82	0.196	229
5330	1DK1102-1CK06-0 ■ A ■	466	96.88	97.03	0.171	253
5950	1DK1102-1HK06-0 ■ A ■	520	97.13	97.23	0.146	292
6680	1DK1102-1NK06-0 ■ A ■	584	97.24	97.33	0.138	332
7500	1DK1122-1DK06-0 ■ A2	656	97.00	97.05	0.173	388
8850	1DK1122-1KK06-0 ■ A2	774	97.20	97.29	0.185	458
9900	1DK1122-1TK06-0 ■ A2	866	97.46	97.48	0.144	550
10750	1DK1142-1FK06-0 ■ A2	940	96.77	96.79	0.207	714
12150	1DK1142-1KK06-0 ■ A2	1063	96.90	96.93	0.202	791
13190	1DK1142-1PK06-0 ■ A2	1154	97.03	97.05	0.186	868
15100	1DK1142-1VK06-0 ■ A2	1321	97.19	97.20	0.172	985

Cooling method:

(14th position of the article number)

IC01
40 °C cooling air temperature

F

IC81W
32 °C cooling water temperature

N

Bearing version:

(16th position of the article number)

Anti-friction bearings

1

Sleeve bearings

2

¹⁾ Power reduction according utilization class 130 (B)

Selection and ordering data (continued)

Rated power IEC P_{rated} 155 (F) kVA	SIGENTICS M Industrial applications Article No.	Rated current I_{rated} A	Efficiency		Subtransient reactance x_d'' (sat.) p. u.	Moment of inertia kgm ²
			Utilization to class 155 (F) %	Utilization to class 130 (B) ¹⁾ %		
6.6 kV, 60 Hz, power factor 0.8 lagging						
8-pole						
2190	1DK1082-0TK08-0 ■ A ■	192	95.87	96.01	0.167	143
2650	1DK1082-1AK08-0 ■ A ■	232	96.23	96.33	0.157	179
2750	1DK1082-1EK08-0 ■ A ■	241	96.35	96.41	0.139	204
3235	1DK1102-0TK08-0 ■ A ■	283	96.05	96.39	0.264	215
3470	1DK1102-0WK08-0 ■ A ■	304	96.40	96.66	0.228	241
3970	1DK1102-1AK08-0 ■ A ■	347	96.42	96.71	0.239	267
4230	1DK1102-1DK08-0 ■ A ■	370	96.75	96.94	0.185	295
4820	1DK1102-1JK08-0 ■ A ■	422	96.97	97.15	0.187	341
5490	1DK1102-1PK08-0 ■ A ■	480	97.08	97.26	0.180	385
6050	1DK1122-1FK08-0 ■ A2	529	96.99	97.17	0.211	486
6450	1DK1122-1JK08-0 ■ A2	564	97.13	97.27	0.184	529
7400	1DK1122-1PK08-0 ■ A2	647	97.26	97.38	0.172	598
8150	1DK1122-1VK08-0 ■ A2	713	97.38	97.50	0.179	682
8700	1DK1122-2CK08-0 ■ A2	761	97.45	97.50	0.142	766
9150	1DK1142-1JK08-0 ■ A2	800	96.87	96.96	0.202	847
9950	1DK1142-1LK08-0 ■ A2	870	96.95	97.02	0.190	891
10400	1DK1142-1PK08-0 ■ A2	910	96.99	97.04	0.176	956
11250	1DK1142-1TK08-0 ■ A2	984	97.09	97.16	0.184	1042
12200	1DK1142-1XK08-0 ■ A2	1067	97.17	97.26	0.191	1129
12760	1DK1142-2EK08-0 ■ A2	1116	97.27	97.32	0.173	1260
10-pole						
2405	1DK1102-0SK10-0 ■ A ■	210	95.53	95.94	0.260	248
2570	1DK1102-0VK10-0 ■ A ■	225	95.88	96.22	0.244	281
2990	1DK1102-0YK10-0 ■ A ■	262	96.00	96.32	0.238	314
3350	1DK1102-1EK10-0 ■ A ■	293	96.19	96.43	0.180	369
4000	1DK1102-1MK10-0 ■ A ■	350	96.49	96.65	0.170	446
4275	1DK1102-1RK10-0 ■ A ■	374	96.64	96.77	0.163	490
4920	1DK1122-1JK10-0 ■ A2	430	96.91	97.04	0.188	636
5450	1DK1122-1MK10-0 ■ A2	477	96.89	97.03	0.184	686
5750	1DK1122-1SK10-0 ■ A2	503	97.10	97.20	0.174	771
6300	1DK1122-1YK10-0 ■ A2	551	97.17	97.25	0.169	872
6900	1DK1142-1GK10-0 ■ A2	604	96.72	96.87	0.237	904
7750	1DK1142-1LK10-0 ■ A2	678	96.83	96.98	0.235	1002
8350	1DK1142-1TK10-0 ■ A2	730	97.02	97.11	0.202	1172
9100	1DK1142-1XK10-0 ■ A2	796	97.11	97.20	0.208	1270
9630	1DK1142-2EK10-0 ■ A2	842	97.18	97.21	0.179	1417

Cooling method:

(14th position of the article number)

IC01

40 °C cooling air temperature

F

IC81W

32 °C cooling water temperature

N

Bearing version:

(16th position of the article number)

Anti-friction bearings

1

Sleeve bearings

2

¹⁾ Power reduction according utilization class 130 (B)

Technical data

Industrial applications

Selection and ordering data (continued)

Rated power IEC P_{rated} 155 (F) kVA	SIGENTICS M Industrial applications Article No.	Rated current	Efficiency		Subtransient reactance	Moment of inertia
		I_{rated} A	Utilization to class 155 (F) %	Utilization to class 130 (B) ¹⁾ %	x_d'' (sat.) p. u.	kgm ²
6.6 kV, 60 Hz, power factor 0.8 lagging						
12-pole						
3550	1DK1122-1AK12-0 A2	311	95.95	96.22	0.243	548
3720	1DK1122-1DK12-0 A2	325	96.14	96.36	0.223	604
4000	1DK1122-1GK12-0 A2	350	96.36	96.54	0.205	661
4450	1DK1122-1MK12-0 A2	389	96.47	96.63	0.197	753
4770	1DK1122-1RK12-0 A2	417	96.57	96.66	0.168	828
5130	1DK1122-1VK12-0 A2	449	96.62	96.71	0.166	903
5600	1DK1142-1JK12-0 A2	490	96.62	96.76	0.197	1153
6200	1DK1142-1NK12-0 A2	542	96.70	96.84	0.198	1272
6550	1DK1142-1SK12-0 A2	573	96.81	96.91	0.184	1391
7250	1DK1142-1XK12-0 A2	634	96.88	96.97	0.175	1539
14-pole						
2680	1DK1122-1DK14-0 A2	234	95.65	95.90	0.231	616
3060	1DK1122-1JK14-0 A2	268	95.84	96.06	0.224	712
3550	1DK1122-1RK14-0 A2	311	96.05	96.21	0.210	845
3930	1DK1122-1XK14-0 A2	344	96.00	96.14	0.194	960
4370	1DK1142-1GK14-0 A2	382	96.17	96.43	0.215	1208
4965	1DK1142-1NK14-0 A2	434	96.36	96.57	0.207	1405
5600	1DK1142-1XK14-0 A2	490	96.60	96.76	0.194	1699
5900	1DK1142-2CK14-0 A2	516	96.67	96.78	0.177	1830

Cooling method:

(14th position of the article number)

IC01

40 °C cooling air temperature

F

IC81W

32 °C cooling water temperature

N

¹⁾ Power reduction according utilization class 130 (B)

Selection and ordering data

Rated power IEC P_{rated} 155 (F) kVA	SIGENTICS M Industrial applications Article No.	Rated current I_{rated} A	Efficiency		Subtransient reactance x_d'' (sat.) p. u.	Moment of inertia kgm ²
			Utilization to class 155 (F) %	Utilization to class 130 (B) ¹⁾ %		
11 kV, 50 Hz, power factor 0.8 lagging						
4-pole						
2650	1DK1082-0TN04-0 ■ A ■	139	95.50	95.63	0.212	86
2860	1DK1082-0WN04-0 ■ A ■	150	95.90	95.98	0.187	97
3480	1DK1082-1AN04-0 ■ A ■	183	96.11	96.23	0.188	107
3960	1DK1082-1DN04-0 ■ A ■	208	96.48	96.55	0.158	117
5050	1DT1102-1BN04-0 ■ A ■	265	96.63	96.66	0.142	193
5540	1DT1102-1EN04-0 ■ A ■	291	96.83	96.85	0.129	210
6130	1DT1102-1JN04-0 ■ A ■	322	97.01	97.02	0.115	231
6660	1DT1102-1PN04-0 ■ A ■	350	97.16	97.14	0.097	256
7260	1DT1102-1TN04-0 ■ A ■	381	97.31	97.34	0.111	277
8170	1DT1102-1YN04-0 ■ A ■	429	97.43	97.43	0.092	306
9400	1DT1122-1PN04-0 ■ A2	493	97.47	97.57	0.169	376
10150	1DT1122-1TN04-0 ■ A2	533	97.55	97.64	0.162	406
10700	1DT1122-1WN04-0 ■ A2	562	97.62	97.69	0.148	432
11200	1DT1122-2CN04-0 ■ A2	588	97.70	97.77	0.148	468
12100	1DT1122-2HN04-0 ■ A2	635	97.77	97.82	0.136	508
13650	1DT1142-1TN04-0 ■ A2	716	97.84	97.92	0.166	580
14950	1DT1142-1XN04-0 ■ A2	785	97.91	97.98	0.153	624
16450	1DT1142-2EN04-0 ■ A2	863	97.99	98.05	0.143	690
18000	1DT1142-2MN04-0 ■ A2	945	98.07	98.11	0.129	769
6-pole						
1755	1DK1082-0UN06-0 ■ A ■	92	95.25	95.52	0.153	118
2070	1DK1082-1AN06-0 ■ A ■	109	95.59	95.86	0.151	141
2580	1DK1082-1GN06-0 ■ A ■	135	96.32	96.32	0.109	170
2930	1DK1102-0VN06-0 ■ A ■	154	95.95	96.20	0.174	206
3570	1DK1102-0YN06-0 ■ A ■	187	96.24	96.47	0.158	229
3900	1DK1102-1CN06-0 ■ A ■	205	96.52	96.63	0.128	253
4150	1DK1102-1HN06-0 ■ A ■	218	96.76	96.83	0.121	292
4710	1DK1102-1NN06-0 ■ A ■	247	96.75	96.78	0.116	332
5750	1DK1122-1DN06-0 ■ A2	302	96.71	96.84	0.173	388
6600	1DK1122-1KN06-0 ■ A2	346	96.94	97.06	0.165	458
6930	1DK1122-1TN06-0 ■ A2	364	97.11	97.22	0.158	550
8000	1DK1122-1WN06-0 ■ A2	420	97.25	97.35	0.147	587
9270	1DK1142-1KN06-0 ■ A2	487	96.80	96.90	0.191	791
10090	1DK1142-1PN06-0 ■ A2	530	96.99	97.06	0.170	868
11600	1DK1142-1VN06-0 ■ A2	609	97.15	97.21	0.159	985
11940	1DK1142-2BN06-0 ■ A2	627	97.22	97.27	0.149	1082

Cooling method:

(14th position of the article number)

IC01

40 °C cooling air temperature

F

IC81W

32 °C cooling water temperature

N

Bearing version:

(16th position of the article number)

Anti-friction bearings

1

Sleeve bearings

2

¹⁾ Power reduction according utilization class 130 (B)

Technical data

Industrial applications

Selection and ordering data (continued)

Rated power IEC P_{rated} 155 (F) kVA	SIGENTICS M Industrial applications Article No.	Rated current I_{rated} A	Efficiency		Subtransient reactance x_d'' (sat.) p. u.	Moment of inertia kgm ²
			Utilization to class 155 (F) %	Utilization to class 130 (B) ¹⁾ %		
11 kV, 50 Hz, power factor 0.8 lagging						
8-pole						
1350	1DK1082-0TN08-0 ■ A ■	71	94.60	94.90	0.142	143
1720	1DK1082-1AN08-0 ■ A ■	90	95.45	95.57	0.125	179
1900	1DK1082-1EN08-0 ■ A ■	100	95.73	95.81	0.117	204
2290	1DK1102-0TN08-0 ■ A ■	120	95.46	95.84	0.223	215
2450	1DK1102-0WN08-0 ■ A ■	129	95.88	96.17	0.193	241
2715	1DK1102-1AN08-0 ■ A ■	143	95.87	96.19	0.196	269
2850	1DK1102-1DN08-0 ■ A ■	150	96.07	96.36	0.184	295
3330	1DK1102-1JN08-0 ■ A ■	175	96.49	96.69	0.155	341
3840	1DK1102-1PN08-0 ■ A ■	202	96.64	96.83	0.150	385
4450	1DK1122-1FN08-0 ■ A2	234	96.65	96.86	0.187	486
4820	1DK1122-1JN08-0 ■ A2	253	96.84	97.01	0.165	529
5450	1DK1122-1PN08-0 ■ A2	286	96.92	97.07	0.152	598
5950	1DK1122-1VN08-0 ■ A2	312	97.06	97.21	0.157	682
6300	1DK1122-2CN08-0 ■ A2	331	97.21	97.33	0.150	766
6950	1DK1142-1JN08-0 ■ A2	365	96.68	96.81	0.183	848
7500	1DK1142-1LN08-0 ■ A2	394	96.63	96.79	0.188	891
7810	1DK1142-1PN08-0 ■ A2	410	96.75	96.91	0.190	956
8150	1DK1142-1TN08-0 ■ A2	428	96.88	97.00	0.178	1042
9130	1DK1142-1XN08-0 ■ A2	479	96.95	97.07	0.173	1129
9700	1DK1142-2EN08-0 ■ A2	509	97.08	97.17	0.159	1260
10-pole						
3600	1DK1122-1JN10-0 ■ A2	189	96.48	96.66	0.175	636
4050	1DK1122-1MN10-0 ■ A2	213	96.53	96.71	0.174	686
4350	1DK1122-1SN10-0 ■ A2	228	96.71	96.84	0.159	771
4900	1DK1122-1YN10-0 ■ A2	257	96.81	96.91	0.146	872
5200	1DK1142-1GN10-0 ■ A2	273	96.48	96.67	0.214	904
5900	1DK1142-1LN10-0 ■ A2	310	96.59	96.77	0.203	1002
6400	1DK1142-1TN10-0 ■ A2	336	96.85	96.97	0.186	1172
6950	1DK1142-1XN10-0 ■ A2	365	96.89	97.02	0.188	1270
7420	1DK1142-2EN10-0 ■ A2	389	97.00	97.07	0.163	1417

Cooling method:

(14th position of the article number)

IC01

40 °C cooling air temperature

F

IC81W

32 °C cooling water temperature

N

Bearing version:

(16th position of the article number)

Anti-friction bearings

1

Sleeve bearings

2

¹⁾ Power reduction according utilization class 130 (B)

Selection and ordering data (continued)

Rated power IEC P_{rated} 155 (F) kVA	SIGENTICS M Industrial applications Article No.	Rated current I_{rated} A	Efficiency		Subtransient reactance x_d'' (sat.) p. u.	Moment of inertia kgm ²
			Utilization to class 155 (F) %	Utilization to class 130 (B) ¹⁾ %		
11 kV, 50 Hz, power factor 0.8 lagging						
12-pole						
2500	1DK1122-1AN12-0 A2	131	95.13	95.43	0.201	548
2720	1DK1122-1DN12-0 A2	143	95.50	95.76	0.200	604
2800	1DK1122-1GN12-0 A2	147	95.65	95.88	0.186	661
3300	1DK1122-1MN12-0 A2	173	95.87	96.04	0.164	753
3480	1DK1122-1RN12-0 A2	183	96.01	96.12	0.150	828
3650	1DK1122-1VN12-0 A2	192	96.09	96.26	0.169	903
3920	1DK1142-1JN12-0 A2	206	96.24	96.47	0.196	1153
4430	1DK1142-1NN12-0 A2	233	96.33	96.54	0.187	1272
4800	1DK1142-1SN12-0 A2	252	96.46	96.60	0.161	1391
5300	1DK1142-1XN12-0 A2	278	96.55	96.67	0.153	1539
14-pole						
2980	1DK1142-1GN14-0 A2	156	95.59	95.84	0.168	1208
3390	1DK1142-1NN14-0 A2	178	95.88	96.10	0.166	1405
3770	1DK1142-1XN14-0 A2	198	96.14	96.32	0.164	1699
4000	1DK1142-2CN14-0 A2	210	96.09	96.19	0.136	1830

Cooling method:

(14th position of the article number)

IC01

40 °C cooling air temperature

F

IC81W

32 °C cooling water temperature

N
¹⁾ Power reduction according utilization class 130 (B)

Technical data

Industrial applications

Selection and ordering data

Rated power IEC P_{rated} 155 (F) kVA	SIGENTICS M Industrial applications Article No.	Rated current	Efficiency		Subtransient reactance	Moment of inertia
		I_{rated} A	Utilization to class 155 (F) %	Utilization to class 130 (B) ¹⁾ %	x_d'' (sat.) p. u.	kgm ²
13.8 kV, 60 Hz, power factor 0.8 lagging						
4-pole						
5070	1DT1102-0VR04-0 ■ A ■	212	96.49	96.57	0.173	168
5170	1DT1102-0XR04-0 ■ A ■	216	96.52	96.59	0.154	179
5930	1DT1102-1BR04-0 ■ A ■	248	96.84	96.91	0.152	193
6350	1DT1102-1ER04-0 ■ A ■	266	96.97	97.03	0.138	210
7020	1DT1102-1JR04-0 ■ A ■	294	97.15	97.20	0.127	231
7050	1DT1102-1PR04-0 ■ A ■	295	97.18	97.26	0.136	256
9150	1DT1122-1HR04-0 ■ A2	383	97.31	97.38	0.194	330
10850	1DT1122-1PR04-0 ■ A2	454	97.49	97.53	0.163	376
11500	1DT1122-1TR04-0 ■ A2	481	97.56	97.59	0.155	406
12170	1DT1122-1WR04-0 ■ A2	509	97.62	97.64	0.143	432
13000	1DT1122-2CR04-0 ■ A2	544	97.69	97.69	0.132	468
14600	1DT1142-1NR04-0 ■ A2	611	97.73	97.78	0.185	527
15800	1DT1142-1TR04-0 ■ A2	661	97.81	97.86	0.178	580
16700	1DT1142-1XR04-0 ■ A2	699	97.86	97.89	0.163	624
19600	1DT1142-2ER04-0 ■ A2	820	97.99	98.00	0.137	690
6-pole						
3290	1DK1102-0VR06-0 ■ A ■	138	95.93	95.98	0.151	206
3950	1DK1102-0YR06-0 ■ A ■	165	95.91	96.07	0.146	229
4450	1DK1102-1CR06-0 ■ A ■	186	96.31	96.29	0.120	253
4750	1DK1102-1HR06-0 ■ A ■	199	96.65	96.63	0.106	292
5300	1DK1102-1NR06-0 ■ A ■	222	96.70	96.66	0.112	332
6320	1DK1122-1DR06-0 ■ A2	264	96.59	96.62	0.149	388
7420	1DK1122-1KR06-0 ■ A2	310	96.84	96.88	0.144	458
8080	1DK1122-1TR06-0 ■ A2	338	97.10	97.10	0.125	550
8290	1DK1142-1FR06-0 ■ A2	347	96.26	96.22	0.183	714
9660	1DK1142-1KR06-0 ■ A2	404	96.49	96.49	0.187	791
10850	1DK1142-1PR06-0 ■ A2	454	96.75	96.71	0.156	868
13040	1DK1142-1VR06-0 ■ A2	546	96.92	96.88	0.138	985

Cooling method:

(14th position of the article number)

IC01

40 °C cooling air temperature

IC81W

32 °C cooling water temperature

F

N

Bearing version:

(16th position of the article number)

Anti-friction bearings

Sleeve bearings

1

2

¹⁾ Power reduction according utilization class 130 (B)

Selection and ordering data (continued)

Rated power IEC P_{rated} 155 (F) kVA	SIGENTICS M Industrial applications Article No.	Rated current I_{rated} A	Efficiency		Subtransient reactance x_d'' (sat.) p. u.	Moment of inertia kgm ²
			Utilization to class 155 (F) %	Utilization to class 130 (B) ¹⁾ %		
13.8 kV, 60 Hz, power factor 0.8 lagging						
8-pole						
2560	1DK1102-0TR08-0 ■ A ■	107	95.37	95.69	0.195	215
2720	1DK1102-0WR08-0 ■ A ■	114	95.78	96.01	0.166	241
3060	1DK1102-1AR08-0 ■ A ■	128	95.77	96.03	0.172	269
3410	1DK1102-1DR08-0 ■ A ■	143	96.00	96.18	0.138	295
3600	1DK1102-1JR08-0 ■ A ■	151	95.83	96.04	0.152	341
4270	1DK1102-1PR08-0 ■ A ■	179	96.53	96.66	0.130	385
5050	1DK1122-1FR08-0 ■ A2	211	96.64	96.78	0.164	486
5400	1DK1122-1JR08-0 ■ A2	226	96.77	96.86	0.143	529
5800	1DK1122-1PR08-0 ■ A2	243	96.85	96.95	0.147	598
6650	1DK1122-1VR08-0 ■ A2	278	97.01	97.08	0.135	682
6900	1DK1122-2CR08-0 ■ A2	289	97.14	97.19	0.128	766
7150	1DK1142-1JR08-0 ■ A2	299	96.47	96.56	0.197	848
8550	1DK1142-1LR08-0 ■ A2	358	96.60	96.69	0.180	891
8680	1DK1142-1PR08-0 ■ A2	363	96.65	96.70	0.165	956
9270	1DK1142-1TR08-0 ■ A2	388	96.79	96.82	0.155	1042
10450	1DK1142-1XR08-0 ■ A2	437	96.88	96.91	0.150	1129
11000	1DK1142-2ER08-0 ■ A2	460	96.97	96.97	0.138	1260
10-pole						
4100	1DK1122-1JR10-0 ■ A2	172	96.48	96.57	0.152	636
4350	1DK1122-1MR10-0 ■ A2	182	96.51	96.66	0.172	686
4680	1DK1122-1SR10-0 ■ A2	196	96.70	96.83	0.164	771
5160	1DK1122-1YR10-0 ■ A2	216	96.80	96.89	0.152	872
5900	1DK1142-1GR10-0 ■ A2	247	96.42	96.56	0.212	904
6710	1DK1142-1LR10-0 ■ A2	281	96.50	96.64	0.204	1002
7400	1DK1142-1TR10-0 ■ A2	310	96.73	96.76	0.165	1172
8000	1DK1142-1XR10-0 ■ A2	335	96.80	96.85	0.167	1270
8450	1DK1142-2ER10-0 ■ A2	354	96.93	96.94	0.155	1417

Cooling method:

(14th position of the article number)

IC01

40 °C cooling air temperature

F

IC81W

32 °C cooling water temperature

N
Bearing version:

(16th position of the article number)

Anti-friction bearings

1

Sleeve bearings

2
¹⁾ Power reduction according utilization class 130 (B)

Technical data

Industrial applications

Selection and ordering data (continued)

Rated power IEC P_{rated} 155 (F) kVA	SIGENTICS M Industrial applications Article No.	Rated current	Efficiency		Subtransient reactance	Moment of inertia
		I_{rated} A	Utilization to class 155 (F) %	Utilization to class 130 (B) ¹⁾ %	x_d'' (sat.) p. u.	kgm ²
13.8 kV, 60 Hz, power factor 0.8 lagging						
12-pole						
2830	1DK1122-1AR12-0 A2	118	95.13	95.43	0.209	548
3050	1DK1122-1DR12-0 A2	128	95.43	95.63	0.180	604
3170	1DK1122-1GR12-0 A2	133	95.67	95.83	0.170	661
3600	1DK1122-1MR12-0 A2	151	95.81	95.99	0.175	753
3680	1DK1122-1RR12-0 A2	154	95.88	96.02	0.158	828
4100	1DK1122-1VR12-0 A2	172	96.01	96.12	0.150	903
4050	1DK1142-1JR12-0 A2	169	96.06	96.16	0.158	1153
4520	1DK1142-1NR12-0 A2	189	96.21	96.31	0.161	1272
5000	1DK1142-1SR12-0 A2	209	96.33	96.47	0.175	1391
5670	1DK1142-1XR12-0 A2	237	96.43	96.53	0.160	1539
14-pole						
2400	1DK1122-1DR14-0 A2	100	95.00	95.24	0.191	616
2750	1DK1122-1JR14-0 A2	115	95.27	95.46	0.183	712
3100	1DK1122-1RR14-0 A2	130	95.44	95.56	0.167	845
3480	1DK1122-1XR14-0 A2	146	95.73	95.83	0.171	960
3850	1DK1142-1NR14-0 A2	161	95.64	95.82	0.157	1405
4350	1DK1142-1XR14-0 A2	182	95.89	96.04	0.154	1699
4570	1DK1142-2CR14-0 A2	191	95.77	95.79	0.120	1830

Cooling method:

(14th position of the article number)

IC01

40 °C cooling air temperature

F

IC81W

32 °C cooling water temperature

N

¹⁾ Power reduction according utilization class 130 (B)

Selection and ordering data

Rated power DNV GL P_{rated} 180 (H) kVA	SIGENTICS M Marine applications Article No.	Rated current I_{rated} A	Efficiency Utilization to class 180 (H) %	Subtransient reactance $x_d^{\prime\prime}$ (sat.) p. u.	Max. load step for voltage drop $< 15\% U_N$	Moment of inertia kgm ²
400 V, 50 Hz, power factor 0.8 lagging						
4-pole						
3445	1DK1082-0TA04-0 ■ A ■	4972	96.01	0.208	2515	86
6-pole						
2548	1DK1082-0UA06-0 ■ A ■	3678	96.04	0.185	1997	118
2943	1DK1082-1AA06-0 ■ A ■	4248	96.24	0.172	2249	141
3378	1DK1082-1GA06-0 ■ A ■	4876	96.73	0.133	2926	170
8-pole						
1853	1DK1082-0TA08-0 ■ A ■	2675	95.38	0.219	1128	143
2220	1DK1082-1AA08-0 ■ A ■	3204	95.91	0.192	1617	179
2441	1DK1082-1EA08-0 ■ A ■	3523	96.15	0.141	2114	204
2606	1DK1102-0TA08-0 ■ A ■	3761	96.12	0.242	1687	215
3474	1DK1102-1JA08-0 ■ A ■	5014	96.86	0.171	3008	341
10-pole						
1264	1DK1082-0QA10-0 ■ A ■	1824	94.28	0.277	668	132
1891	1DK1082-1CA10-0 ■ A ■	2729	95.42	0.192	1460	204
2562	1DK1102-0YA10-0 ■ A ■	3698	95.93	0.223	1797	314
2683	1DK1102-1EA10-0 ■ A ■	3873	95.99	0.203	2115	369
3165	1DK1102-1MA10-0 ■ A ■	4568	96.28	0.191	2727	446

Cooling method:

(14th position of the article number)

IC01

45 °C cooling air temperature

IC81W

38 °C cooling water temperature

Bearing version:

(16th position of the article number)

Anti-friction bearings

Sleeve bearings

F

N

1

2

Note:

Data for higher power ratings in pole numbers from 8 to 14 are available on request.

Technical data

Marine applications

Selection and ordering data

Rated power DNV GL P_{rated} 180 (H) kVA	SIGENTICS M Marine applications Article No.	Rated current I_{rated} A	Efficiency Utilization to class 180 (H) %	Subtransient reactance x_d'' (sat.) p. u.	Max. load step for voltage drop < 15 % U_N	Moment of inertia kgm ²
450 V, 60 Hz, power factor 0.8 lagging						
4-pole						
3860	1DK1082-0RB04-0 ■ A ■	4952	95.83	0.266	1945	80
6-pole						
3185	1DK1082-0UB06-0 ■ A ■	4086	96.10	0.205	1859	118
3773	1DK1082-1AB06-0 ■ A ■	4841	96.62	0.161	2850	141
8-pole						
2393	1DK1082-0TB08-0 ■ A ■	3070	95.99	0.190	1531	143
2634	1DK1082-1AB08-0 ■ A ■	3379	96.15	0.201	1625	179
2895	1DK1082-1EB08-0 ■ A ■	3714	96.40	0.158	2228	204
3368	1DK1102-0TB08-0 ■ A ■	4321	96.01	0.296	1585	215
3667	1DK1102-0WB08-0 ■ A ■	4705	96.42	0.223	2345	241
10-pole						
1621	1DK1082-0QB10-0 ■ A ■	2080	95.30	0.242	871	132
1891	1DK1082-0UB10-0 ■ A ■	2426	95.74	0.206	1227	158
2413	1DK1082-1CB10-0 ■ A ■	3096	95.79	0.233	1373	204
2591	1DK1102-0SB10-0 ■ A ■	3324	95.84	0.262	1392	248
3349	1DK1102-0YB10-0 ■ A ■	4297	95.85	0.277	1687	314
3667	1DK1102-1EB10-0 ■ A ■	4705	96.34	0.231	2267	369

Cooling method:

(14th position of the article number)

IC01

45 °C cooling air temperature

IC81W

38 °C cooling water temperature

Bearing version:

(16th position of the article number)

Anti-friction bearings

Sleeve bearings

F

N

1

2

Note:

Data for higher power ratings in pole numbers from 8 to 14 are available on request.

Selection and ordering data

Rated power DNV GL P_{rated} 180 (H) kVA	SIGENTICS M Marine applications Article No.	Rated current I_{rated} A	Efficiency Utilization to class 180 (H) %	Subtransient reactance x_d^* (sat.) p. u.	Max. load step for voltage drop < 15 % U_N	Moment of inertia kgm ²
690 V, 50 Hz, power factor 0.8 lagging						
4-pole						
3426	1DK1082-0TC04-0 ■ A ■	2867	95.88	0.280	1075	86
4053	1DK1082-0WC04-0 ■ A ■	3391	96.12	0.244	1406	97
4439	1DK1082-1AC04-0 ■ A ■	3714	96.44	0.228	1647	107
4776	1DK1082-1DC04-0 ■ A ■	3996	96.63	0.209	1940	117
6-pole						
2634	1DK1080-0UC06-0 ■ A ■	2204	96.21	0.237	927	118
3088	1DK1082-1AC06-0 ■ A ■	2584	96.39	0.196	1331	141
3493	1DK1082-1GC06-0 ■ A ■	2923	96.86	0.186	1581	170
4005	1DK1102-0YC06-0 ■ A ■	3351	96.60	0.187	1642	229
4362	1DK1102-1CC06-0 ■ A ■	3650	96.73	0.198	1849	253
5107	1DK1102-1HC06-0 ■ A ■	4273	96.93	0.166	2507	292
5693	1DK1102-1NC06-0 ■ A ■	4764	97.13	0.154	2858	332
8-pole						
1819	1DK1082-0TC08-0 ■ A ■	1522	95.45	0.237	634	143
2220	1DK1082-1AC08-0 ■ A ■	1858	96.20	0.153	1115	179
2577	1DK1082-1EC08-0 ■ A ■	2156	96.43	0.141	1294	204
2972	1DK1102-0WC08-0 ■ A ■	2487	96.47	0.230	1185	241
3633	1DK1102-1DC08-0 ■ A ■	3040	96.61	0.214	1537	295
3874	1DK1102-1JC08-0 ■ A ■	3242	96.72	0.217	1609	341
4478	1DK1102-1PC08-0 ■ A ■	3747	96.88	0.227	1813	385
10-pole						
1264	1DK1082-0QC10-0 ■ A ■	1058	94.41	0.268	396	132
1602	1DK1082-0WC10-0 ■ A ■	1340	95.27	0.187	732	171
1920	1DK1082-1CC10-0 ■ A ■	1607	95.49	0.215	773	204
2364	1DK1102-0VC10-0 ■ A ■	1978	95.87	0.250	851	281
2654	1DK1102-0YC10-0 ■ A ■	2221	95.81	0.248	978	314
3098	1DK1102-1EC10-0 ■ A ■	2592	96.17	0.233	1209	369
3764	1DK1102-1RC10-0 ■ A ■	3149	96.59	0.159	1889	490

Cooling method:

(14th position of the article number)

IC01

45 °C cooling air temperature

IC81W

38 °C cooling water temperature

F

N

Bearing version:

(16th position of the article number)

Anti-friction bearings

Sleeve bearings

1

2

Note:

Data for higher power ratings in pole numbers from 8 to 14 are available on request.

Technical data

Marine applications

Selection and ordering data

Rated power DNV GL P_{rated} 180 (H) kVA	SIGENTICS M Marine applications Article No.	Rated current I_{rated} A	Efficiency Utilization to class 180 (H) %	Subtransient reactance x_d^s (sat.) p. u.	Max. load step for voltage drop < 15 % U_N	Moment of inertia kgm ²
690 V, 60 Hz, power factor 0.8 lagging						
4-pole						
4101	1DK1082-0RD04-0 A	3431	95.90	0.261	1355	80
4516	1DK1082-0TD04-0 A	3779	96.22	0.241	1621	86
4729	1DK1082-0WD04-0 A	3957	96.47	0.217	1870	97
5324	1DK1082-1AD04-0 A	4455	96.65	0.191	2431	107
6-pole						
3262	1DK1080-0UD06-0 A	2729	96.43	0.181	1482	118
3715	1DK1082-1AD06-0 A	3108	96.54	0.165	1865	141
4150	1DK1082-1GD06-0 A	3472	96.90	0.145	2083	170
4439	1DK1102-0VD06-0 A	3714	96.34	0.232	1478	206
4776	1DK1102-0YD06-0 A	3996	96.54	0.198	2054	229
5296	1DK1102-1CD06-0 A	4431	96.83	0.184	2334	253
5911	1DK1102-1HD06-0 A	4946	97.11	0.130	2968	292
8-pole						
2393	1DK1082-0TD08-0 A	2002	96.14	0.182	1044	143
2750	1DK1082-1AD08-0 A	2301	96.08	0.230	1002	179
3281	1DK1082-1ED08-0 A	2745	96.67	0.148	1647	204
3619	1DK1102-0WD08-0 A	3028	96.16	0.330	992	241
4246	1DK1102-1AD08-0 A	3553	96.59	0.268	1473	269
4516	1DK1102-1DD08-0 A	3779	96.83	0.218	1903	295
5249	1DK1102-1PD08-0 A	4392	97.04	0.202	2452	385
10-pole						
1631	1DK1082-0QD10-0 A	1365	95.28	0.262	539	132
1969	1DK1082-0UD10-0 A	1648	95.48	0.259	650	158
2113	1DK1082-0WD10-0 A	1768	95.67	0.244	749	171
2509	1DK1082-1CD10-0 A	2099	95.94	0.230	942	204
2654	1DK1102-0SD10-0 A	2221	95.72	0.303	787	248
2992	1DK1102-0VD10-0 A	2504	96.19	0.251	1095	281
3349	1DK1102-0YD10-0 A	2802	96.17	0.263	1155	314
3908	1DK1102-1ED10-0 A	3270	96.40	0.234	1549	369
4536	1DK1102-1MD10-0 A	3795	96.59	0.216	1943	446

Cooling method:

(14th position of the article number)

IC01

45 °C cooling air temperature

F

IC81W

38 °C cooling water temperature

N

Bearing version:

(16th position of the article number)

Anti-friction bearings

1

Sleeve bearings

2

Note:

Data for higher power ratings in pole numbers from 8 to 14 are available on request.

Selection and ordering data

Rated power DNV GL P_{rated} 155 (F) kVA	SIGENTICS M Marine applications Article No.	Rated current I_{rated} A	Efficiency Utilization to class 155 (F) %	Subtransient reactance x_d^{\prime} (sat.) p. u.	Max. load step for voltage drop $< 15\% U_N$	Moment of inertia kgm ²
3.3 kV, 50 Hz, power factor 0.8 lagging						
4-pole						
3233	1DK1082-0TE04-0 ■ A ■	566	96.32	0.187	318	86
3619	1DK1082-0WE04-0 ■ A ■	633	96.48	0.170	380	97
4178	1DK1082-1AE04-0 ■ A ■	731	96.58	0.205	367	107
4536	1DK1082-1DE04-0 ■ A ■	794	96.88	0.164	476	117
4918	1DT1102-1BE04-0 ■ A ■	860	96.88	0.155	516	193
5390	1DT1102-1EE04-0 ■ A ■	943	97.03	0.133	566	210
6081	1DT1102-1JE04-0 ■ A ■	1064	97.03	0.136	638	231
6733	1DT1102-1PE04-0 ■ A ■	1178	97.34	0.120	707	256
7405	1DT1102-1TE04-0 ■ A ■	1296	97.51	0.103	778	277
8038	1DT1102-1YE04-0 ■ A ■	1406	97.56	0.089	844	306
9268	1DT1122-1PE04-0 ■ A2	1621	97.58	0.188	960	376
10119	1DT1122-1TE04-0 ■ A2	1770	97.62	0.165	1062	406
11632	1DT1122-2CE04-0 ■ A2	2035	97.79	0.152	1221	468
13240	1DT1142-1XE04-0 ■ A2	2316	97.98	0.174	1371	624
17779	1DT1142-2ME04-0 ■ A2	3111	97.90	0.119	1867	769
6-pole						
2384	1DK1082-0UE06-0 ■ A ■	417	96.24	0.174	233	118
2827	1DK1082-1AE06-0 ■ A ■	495	96.67	0.155	297	141
3213	1DK1082-1GE06-0 ■ A ■	562	96.87	0.138	337	170
3368	1DK1102-0VE06-0 ■ A ■	589	96.70	0.160	340	206
3696	1DK1102-0YE06-0 ■ A ■	647	96.72	0.170	383	229
4121	1DK1102-1CE06-0 ■ A ■	721	96.97	0.145	433	253
4651	1DK1102-1HE06-0 ■ A ■	814	97.02	0.164	488	292
5154	1DK1102-1NE06-0 ■ A ■	902	97.12	0.125	541	332
5930	1DK1122-1DE06-0 ■ A2	1037	96.92	0.209	527	388
6809	1DK1122-1KE06-0 ■ A2	1191	97.05	0.207	605	458
7566	1DK1122-1TE06-0 ■ A2	1324	97.33	0.183	756	550
8767	1DK1122-1WE06-0 ■ A2	1534	97.54	0.144	920	587
10185	1DK1142-1KE06-0 ■ A2	1782	97.00	0.214	1069	791
10582	1DK1142-1PE06-0 ■ A2	1851	97.07	0.194	1111	868
11954	1DK1142-1VE06-0 ■ A2	2091	97.26	0.191	1255	985
12625	1DK1142-2BE06-0 ■ A2	2209	97.31	0.166	1325	1082

Cooling method:

(14th position of the article number)

IC01

45 °C cooling air temperature

IC81W

38 °C cooling water temperature

F
N
Bearing version:

(16th position of the article number)

Anti-friction bearings

Sleeve bearings

1
2

Technical data

Marine applications

Selection and ordering data (continued)

Rated power DNV GL P_{rated} 155 (F) kVA	SIGENTICS M Marine applications Article No.	Rated current I_{rated} A	Efficiency Utilization to class 155 (F) %	Subtransient reactance x_d^s (sat.) p. u.	Max. load step for voltage drop $< 15\% U_N$	Moment of inertia kgm ²
3.3 kV, 50 Hz, power factor 0.8 lagging						
8-pole						
1689	1DK1082-0TE08-0 ■ A ■	295	95.58	0.169	168	143
2065	1DK1082-1AE08-0 ■ A ■	361	96.00	0.157	217	179
2461	1DK1082-1EE08-0 ■ A ■	431	96.17	0.145	259	204
2490	1DK1102-0TE08-0 ■ A ■	436	95.95	0.272	171	215
2702	1DK1102-0WE08-0 ■ A ■	473	96.18	0.259	197	241
3117	1DK1102-1AE08-0 ■ A ■	545	96.35	0.249	237	269
3445	1DK1102-1DE08-0 ■ A ■	603	96.63	0.207	319	295
3947	1DK1102-1JE08-0 ■ A ■	691	96.87	0.195	386	341
4072	1DK1102-1PE08-0 ■ A ■	712	97.08	0.145	427	385
4729	1DK1122-1FE08-0 ■ A2	827	96.98	0.212	403	486
5154	1DK1122-1JE08-0 ■ A2	902	97.15	0.200	467	529
5750	1DK1122-1PE08-0 ■ A2	1006	97.18	0.195	532	598
6431	1DK1122-1VE08-0 ■ A2	1125	97.31	0.186	619	682
6951	1DK1122-2CE08-0 ■ A2	1216	97.48	0.163	730	766
7452	1DK1142-1JE08-0 ■ A2	1304	96.86	0.210	782	848
7660	1DK1142-1LE08-0 ■ A2	1340	96.97	0.185	804	891
8228	1DK1142-1PE08-0 ■ A2	1440	96.99	0.192	864	956
8918	1DK1142-1TE08-0 ■ A2	1560	97.11	0.183	842	1042
9646	1DK1142-1XE08-0 ■ A2	1688	97.14	0.187	1013	1129
10497	1DK1142-2EE08-0 ■ A2	1836	97.29	0.183	893	1260
10-pole						
1891	1DK1102-0SE10-0 ■ A ■	331	95.32	0.242	146	248
2123	1DK1102-0VE10-0 ■ A ■	371	95.78	0.202	198	281
2364	1DK1102-0YE10-0 ■ A ■	414	96.03	0.191	233	314
2779	1DK1102-1EE10-0 ■ A ■	486	96.16	0.199	264	369
3281	1DK1102-1ME10-0 ■ A ■	574	96.36	0.173	344	446
3532	1DK1102-1RE10-0 ■ A ■	618	96.52	0.165	371	490
4150	1DK1122-1JE10-0 ■ A2	726	96.75	0.195	399	636
4343	1DK1122-1ME10-0 ■ A2	760	96.81	0.207	394	686
4823	1DK1122-1SE10-0 ■ A2	844	97.05	0.180	500	771
5343	1DK1122-1YE10-0 ■ A2	935	97.07	0.157	561	872
5901	1DK1142-1LE10-0 ■ A2	1032	96.88	0.220	619	1002
6696	1DK1142-1TE10-0 ■ A2	1171	96.99	0.194	703	1172
6979	1DK1142-1XE10-0 ■ A2	1221	97.07	0.170	671	1270
7424	1DK1142-2EE10-0 ■ A2	1299	97.11	0.153	687	1417

Cooling method:

(14th position of the article number)

IC01

45 °C cooling air temperature

F

IC81W

38 °C cooling water temperature

N

Bearing version:

(16th position of the article number)

Anti-friction bearings

1

Sleeve bearings

2

Selection and ordering data (continued)

Rated power DNV GL P_{rated} 155 (F) kVA	SIGENTICS M Marine applications Article No.	Rated current I_{rated} A	Efficiency Utilization to class 155 (F) %	Subtransient reactance $x_d^{\prime\prime}$ (sat.) p. u.	Max. load step for voltage drop < 15 % U_N	Moment of inertia kgm ²
3.3 kV, 50 Hz, power factor 0.8 lagging						
12-pole						
2586	1DK1122-1AE12-0 A2	452	96.00	0.174	271	548
2847	1DK1122-1DE12-0 A2	498	96.10	0.174	299	604
3088	1DK1122-1GE12-0 A2	540	96.20	0.166	324	661
3792	1DK1122-1RE12-0 A2	663	96.43	0.195	372	828
4207	1DK1122-1VE12-0 A2	736	96.52	0.179	442	903
4574	1DK1142-1JE12-0 A2	800	96.62	0.213	456	1153
5107	1DK1142-1NE12-0 A2	893	96.68	0.191	510	1272
5315	1DK1142-1SE12-0 A2	930	96.81	0.183	550	1391
5863	1DK1142-1XE12-0 A2	1026	96.91	0.181	616	1539
14-pole						
3474	1DK1142-1GE14-0 A2	608	96.20	0.218	365	1208
3976	1DK1142-1NE14-0 A2	696	96.29	0.184	418	1405
4536	1DK1142-1XE14-0 A2	794	96.58	0.182	411	1699
4729	1DK1142-2CE14-0 A2	827	96.66	0.174	429	1830

Cooling method:

(14th position of the article number)

 IC01
 45 °C cooling air temperature

F

 IC81W
 38 °C cooling water temperature

N

Technical data

Marine applications

Selection and ordering data

Rated power DNV GL P_{rated} 155 (F) kVA	SIGENTICS M Marine applications Article No.	Rated current I_{rated} A	Efficiency Utilization to class 155 (F) %	Subtransient reactance x_d^* (sat.) p. u.	Max. load step for voltage drop < 15 % U_N	Moment of inertia kgm ²
4.16 kV, 60 Hz, power factor 0.8 lagging						
4-pole						
3677	1DK1082-0RF04-0 ■ A ■	510	95.97	0.249	217	80
4140	1DK1082-0TF04-0 ■ A ■	575	96.22	0.234	259	86
4391	1DK1082-0WF04-0 ■ A ■	609	96.55	0.202	316	97
5135	1DK1082-1AF04-0 ■ A ■	713	96.76	0.187	399	107
5126	1DT1102-0VF04-0 ■ A ■	711	96.94	0.167	427	168
5599	1DT1102-0XF04-0 ■ A ■	777	97.01	0.189	418	179
6242	1DT1102-1BF04-0 ■ A ■	866	97.24	0.152	520	193
6847	1DT1102-1EF04-0 ■ A ■	950	97.32	0.175	543	210
7774	1DT1102-1JF04-0 ■ A ■	1079	97.55	0.134	647	231
8511	1DT1102-1PF04-0 ■ A ■	1181	97.61	0.112	709	256
9835	1DT1122-1HF04-0 ■ A2	1365	97.47	0.220	693	330
11538	1DT1122-1PF04-0 ■ A2	1601	97.67	0.187	961	376
12862	1DT1122-1WF04-0 ■ A2	1785	97.72	0.165	1071	432
13807	1DT1122-2CF04-0 ■ A2	1916	97.84	0.138	1150	468
14186	1DT1142-1NF04-0 ■ A2	1969	97.86	0.166	1181	527
17448	1DT1142-1XF04-0 ■ A2	2422	98.01	0.168	1453	624
6-pole						
2992	1DK1082-0UF06-0 ■ A ■	415	96.37	0.168	243	118
3522	1DK1082-1AF06-0 ■ A ■	489	96.68	0.159	293	141
3696	1DK1082-1GF06-0 ■ A ■	513	96.95	0.124	308	170
4101	1DK1102-0VF06-0 ■ A ■	569	96.62	0.158	341	206
4729	1DK1102-0YF06-0 ■ A ■	656	96.73	0.187	325	229
5031	1DK1102-1CF06-0 ■ A ■	698	96.86	0.157	419	253
5343	1DK1102-1HF06-0 ■ A ■	742	97.05	0.163	423	292
6544	1DK1102-1NF06-0 ■ A ■	908	97.33	0.122	545	332
7206	1DK1122-1DF06-0 ■ A2	1000	97.03	0.195	550	388
8265	1DK1122-1KF06-0 ■ A2	1147	97.16	0.196	631	458
9060	1DK1122-1TF06-0 ■ A2	1257	97.41	0.170	754	550
10819	1DK1142-1FF06-0 ■ A2	1502	96.77	0.197	901	714
12389	1DK1142-1KF06-0 ■ A2	1719	96.97	0.201	1031	791
12984	1DK1142-1PF06-0 ■ A2	1802	97.06	0.183	1081	868
14441	1DK1142-1VF06-0 ■ A2	2004	97.17	0.185	1202	985

Cooling method:

(14th position of the article number)

IC01

45 °C cooling air temperature

IC81W

38 °C cooling water temperature

F

N

Bearing version:

(16th position of the article number)

Anti-friction bearings

Sleeve bearings

1

2

Selection and ordering data (continued)

Rated power DNV GL P_{rated} 155 (F) kVA	SIGENTICS M Marine applications Article No.	Rated current I_{rated} A	Efficiency Utilization to class 155 (F) %	Subtransient reactance x_d^{\prime} (sat.) p. u.	Max. load step for voltage drop < 15 % U_N	Moment of inertia kgm ²
4.16 kV, 60 Hz, power factor 0.8 lagging						
8-pole						
2133	1DK1082-0TF08-0 ■ A ■	296	95.82	0.174	167	143
2663	1DK1082-1AF08-0 ■ A ■	370	96.27	0.151	222	179
2963	1DK1082-1EF08-0 ■ A ■	411	96.52	0.135	247	204
3156	1DK1102-0TF08-0 ■ A ■	438	96.21	0.268	178	215
3426	1DK1102-0WF08-0 ■ A ■	475	96.49	0.251	206	241
3985	1DK1102-1AF08-0 ■ A ■	553	96.61	0.244	248	269
4294	1DK1102-1DF08-0 ■ A ■	596	96.84	0.208	314	295
4795	1DK1102-1JF08-0 ■ A ■	665	97.05	0.183	399	341
5390	1DK1102-1PF08-0 ■ A ■	748	97.18	0.184	449	385
6005	1DK1122-1FF08-0 ■ A2	833	97.10	0.205	423	486
6336	1DK1122-1JF08-0 ■ A2	879	97.21	0.190	484	529
7112	1DK1122-1PF08-0 ■ A2	987	97.31	0.184	553	598
7944	1DK1122-1VF08-0 ■ A2	1103	97.43	0.179	641	682
8445	1DK1122-2CF08-0 ■ A2	1172	97.55	0.154	703	766
9173	1DK1142-1JF08-0 ■ A2	1273	96.89	0.198	764	848
9552	1DK1142-1LF08-0 ■ A2	1326	96.97	0.187	796	891
10232	1DK1142-1PF08-0 ■ A2	1420	97.00	0.183	841	956
11065	1DK1142-1TF08-0 ■ A2	1536	97.15	0.182	780	1042
12105	1DK1142-1XF08-0 ■ A2	1680	97.15	0.179	924	1129
12578	1DK1142-2EF08-0 ■ A2	1746	97.31	0.169	978	1260
10-pole						
2364	1DK1102-0SF10-0 ■ A ■	328	95.69	0.233	152	248
2683	1DK1102-0VF10-0 ■ A ■	372	95.87	0.242	166	281
3049	1DK1102-0YF10-0 ■ A ■	423	96.11	0.239	194	314
3455	1DK1102-1EF10-0 ■ A ■	480	96.47	0.208	255	369
4005	1DK1102-1MF10-0 ■ A ■	556	96.62	0.197	314	446
4150	1DK1102-1RF10-0 ■ A ■	576	96.76	0.184	346	490
4795	1DK1122-1JF10-0 ■ A2	665	97.07	0.188	380	636
5296	1DK1122-1MF10-0 ■ A2	735	97.01	0.191	412	686
5721	1DK1122-1SF10-0 ■ A2	794	97.14	0.173	476	771
6261	1DK1122-1YF10-0 ■ A2	869	97.24	0.166	521	872
6714	1DK1142-1GF10-0 ■ A2	932	96.81	0.231	542	904
7282	1DK1142-1LF10-0 ■ A2	1011	96.94	0.206	588	1002
8038	1DK1142-1TF10-0 ■ A2	1116	97.11	0.205	637	1172
8767	1DK1142-1XF10-0 ■ A2	1217	97.13	0.197	682	1270
9315	1DK1142-2EF10-0 ■ A2	1293	97.26	0.180	776	1417

Cooling method:

(14th position of the article number)

IC01

45 °C cooling air temperature

IC81W

38 °C cooling water temperature

Bearing version:

(16th position of the article number)

Anti-friction bearings

Sleeve bearings

F

N

1

2

Technical data

Marine applications

Selection and ordering data (continued)

Rated power DNV GL P_{rated} 155 (F) kVA	SIGENTICS M Marine applications Article No.	Rated current I_{rated} A	Efficiency Utilization to class 155 (F) %	Subtransient reactance $x_d^{\prime\prime}$ (sat.) p. u.	Max. load step for voltage drop < 15 % U_N	Moment of inertia kgm ²
4.16 kV, 60 Hz, power factor 0.8 lagging						
12-pole						
3397	1DK1122-1AF12-0 A2	471	96.16	0.210	245	548
3744	1DK1122-1DF12-0 A2	520	96.27	0.212	269	604
4072	1DK1122-1GF12-0 A2	565	96.44	0.205	299	661
4564	1DK1122-1MF12-0 A2	633	96.69	0.208	335	753
4767	1DK1122-1RF12-0 A2	662	96.76	0.195	377	903
5088	1DK1122-1VF12-0 A2	706	96.72	0.167	424	903
5485	1DK1142-1JF12-0 A2	761	96.71	0.197	457	1153
6242	1DK1142-1NF12-0 A2	866	96.69	0.182	520	1272
6620	1DK1142-1SF12-0 A2	919	96.86	0.172	515	1391
7159	1DK1142-1XF12-0 A2	994	96.94	0.170	557	1539
14-pole						
2461	1DK1122-1DF14-0 A2	342	95.68	0.200	205	616
2895	1DK1122-1JF14-0 A2	402	95.89	0.203	241	712
3406	1DK1122-1RF14-0 A2	473	96.18	0.201	284	845
3976	1DK1122-1XF14-0 A2	552	96.36	0.216	315	960
4420	1DK1142-1GF14-0 A2	613	96.28	0.226	368	1208
4870	1DK1142-1NF14-0 A2	676	96.53	0.214	406	1405
5599	1DK1142-1XF14-0 A2	777	96.61	0.174	466	1699

Cooling method:

(14th position of the article number)

IC01

45 °C cooling air temperature

F

IC81W

38 °C cooling water temperature

N

Selection and ordering data

Rated power DNV GL P_{rated} 155 (F) kVA	SIGENTICS M Marine applications Article No.	Rated current I_{rated} A	Efficiency Utilization to class 155 (F) %	Subtransient reactance x_d^{\prime} (sat.) p. u.	Max. load step for voltage drop $< 15\% U_N$	Moment of inertia kgm ²
6.3 kV, 50 Hz, power factor 0.8 lagging						
4-pole						
3233	1DK1082-0TH04-0 ■ A ■	296	96.10	0.202	154	86
3503	1DK1082-0WH04-0 ■ A ■	321	96.37	0.176	191	97
3846	1DK1082-1AH04-0 ■ A ■	352	96.39	0.204	178	107
4343	1DK1082-1DH04-0 ■ A ■	398	96.72	0.170	239	117
4823	1DT1102-1MH04-0 ■ A ■	442	96.72	0.153	265	193
5419	1DT1102-1EH04-0 ■ A ■	497	96.87	0.149	298	210
6052	1DT1102-1JH04-0 ■ A ■	555	97.06	0.143	333	231
6762	1DT1102-1PH04-0 ■ A ■	620	97.24	0.133	372	256
7376	1DT1102-1TH04-0 ■ A ■	676	97.37	0.117	406	277
8152	1DT1102-1YH04-0 ■ A ■	747	97.49	0.096	448	306
9173	1DT1122-1PH04-0 ■ A2	841	97.63	0.165	505	376
9930	1DT1122-1TH04-0 ■ A2	910	97.65	0.154	546	406
10781	1DT1122-1WH04-0 ■ A2	988	97.75	0.155	593	432
11727	1DT1122-2CH04-0 ■ A2	1075	97.76	0.141	645	468
12672	1DT1122-2HH04-0 ■ A2	1161	97.71	0.140	697	508
13240	1DT1142-1TH04-0 ■ A2	1213	97.91	0.148	728	580
14375	1DT1142-1XH04-0 ■ A2	1317	98.00	0.139	790	624
16077	1DT1142-2EH04-0 ■ A2	1473	98.03	0.134	884	690
18063	1DT1142-2MH04-0 ■ A2	1655	98.13	0.128	993	769
6-pole						
2084	1DK1080-0UH06-0 ■ A ■	191	95.92	0.172	107	118
2721	1DK1082-1AH06-0 ■ A ■	249	96.41	0.145	149	141
3020	1DK1082-1GH06-0 ■ A ■	277	96.64	0.112	166	170
3320	1DK1102-0VH06-0 ■ A ■	304	96.48	0.175	175	206
3686	1DK1102-0YH06-0 ■ A ■	338	96.56	0.174	180	229
4034	1DK1102-1CH04-0 ■ A ■	370	96.69	0.161	211	253
4584	1DK1102-1HH06-0 ■ A ■	420	96.99	0.139	252	292
5088	1DK1102-1NH06-0 ■ A ■	466	97.14	0.126	280	332
5863	1DK1122-1DH06-0 ■ A2	537	96.92	0.177	322	388
6847	1DK1122-1KH06-0 ■ A2	627	97.15	0.164	376	458
7991	1DK1122-1TH06-0 ■ A2	732	97.39	0.141	439	550
8511	1DK1122-1WH06-0 ■ A2	780	97.42	0.132	468	587
9930	1DK1142-1KH06-0 ■ A2	910	96.94	0.197	546	791
10422	1DK1142-1PH06-0 ■ A2	955	97.08	0.177	573	868
12010	1DK1142-1VH06-0 ■ A2	1101	97.24	0.170	661	985
12862	1DK1142-2BH06-0 ■ A2	1179	97.35	0.145	598	1082

Cooling method:

(14th position of the article number)

IC01

45 °C cooling air temperature

IC81W

38 °C cooling water temperature

Bearing version:

(16th position of the article number)

Anti-friction bearings

Sleeve bearings

F

N

1

2

Technical data

Marine applications

Selection and ordering data (continued)

Rated power DNV GL P_{rated} 155 (F) kVA	SIGENTICS M Marine applications Article No.	Rated current I_{rated} A	Efficiency Utilization to class 155 (F) %	Subtransient reactance x_d^* (sat.) p. u.	Max. load step for voltage drop < 15 % U_N	Moment of inertia kgm ²
6.3 kV, 50 Hz, power factor 0.8 lagging						
8-pole						
1689	1DK1082-0TH08-0 ■ A ■	155	95.55	0.171	90	143
1959	1DK1082-1AH08-0 ■ A ■	180	95.93	0.166	108	179
2229	1DK1082-1EH08-0 ■ A ■	204	96.18	0.134	122	204
2432	1DK1102-0TH08-0 ■ A ■	223	95.91	0.237	101	215
2721	1DK1102-0WH08-0 ■ A ■	249	96.17	0.222	121	241
3020	1DK1102-1AH08-0 ■ A ■	277	96.43	0.198	152	269
3329	1DK1102-1DH08-0 ■ A ■	305	96.47	0.199	167	295
3735	1DK1102-1JH08-0 ■ A ■	342	96.77	0.169	205	341
4246	1DK1102-1PH08-0 ■ A ■	389	96.92	0.167	233	385
4709	1DK1122-1FH08-0 ■ A2	432	96.89	0.192	232	486
4965	1DK1122-1JH08-0 ■ A2	455	97.06	0.170	273	529
5580	1DK1122-1PH08-0 ■ A2	511	97.16	0.162	307	598
6194	1DK1122-1VH08-0 ■ A2	568	97.30	0.148	341	682
6714	1DK1122-2CH08-0 ■ A2	615	97.40	0.149	369	766
7187	1DK1142-1JH08-0 ■ A2	659	96.83	0.197	341	848
7518	1DK1142-1LH08-0 ■ A2	689	96.87	0.184	365	891
8086	1DK1142-1PH08-0 ■ A2	741	96.97	0.179	408	956
8767	1DK1142-1TH08-0 ■ A2	803	97.07	0.175	482	1042
9410	1DK1142-1XH08-0 ■ A2	862	97.13	0.168	474	1129
10384	1DK1142-2EH08-0 ■ A2	952	97.24	0.163	571	1260
10-pole						
1814	1DK1102-0SH10-0 ■ A ■	166	95.13	0.216	82	248
2075	1DK1102-0VH10-0 ■ A ■	190	95.42	0.209	97	281
2297	1DK1102-0YH10-0 ■ A ■	211	95.70	0.185	122	314
2630	1DK1102-1EH10-0 ■ A ■	241	95.88	0.171	145	369
3088	1DK1102-1MH10-0 ■ A ■	283	96.23	0.149	170	446
3320	1DK1102-1RH10-0 ■ A ■	304	96.28	0.141	182	490
3957	1DK1122-1JH10-0 ■ A2	363	96.67	0.180	214	636
4343	1DK1122-1MH10-0 ■ A2	398	96.65	0.180	235	686
4651	1DK1122-1SH10-0 ■ A2	426	96.91	0.170	256	771
5012	1DK1122-1YH10-0 ■ A2	459	97.06	0.163	275	872
5220	1DK1142-1GH10-0 ■ A2	478	96.65	0.225	283	904
5674	1DK1142-1LH10-0 ■ A2	520	96.83	0.195	312	1002
6516	1DK1142-1TH10-0 ■ A2	597	96.93	0.184	358	1172
7093	1DK1142-1XH10-0 ■ A2	650	97.04	0.191	390	1270
7518	1DK1142-2EH10-0 ■ A2	689	97.13	0.173	413	1417

Cooling method:

(14th position of the article number)

IC01

45 °C cooling air temperature

F

IC81W

38 °C cooling water temperature

N

Bearing version:

(16th position of the article number)

Anti-friction bearings

1

Sleeve bearings

2

Selection and ordering data (continued)

Rated power DNV GL P_{rated} 155 (F) kVA	SIGENTICS M Marine applications Article No.	Rated current I_{rated} A	Efficiency Utilization to class 155 (F) %	Subtransient reactance x_d^{\prime} (sat.) p. u.	Max. load step for voltage drop < 15 % U_N	Moment of inertia kgm ²
6.3 kV, 50 Hz, power factor 0.8 lagging						
12-pole						
2606	1DK1122-1AH12-0 A2	239	95.73	0.200	128	548
2885	1DK1122-1DH12-0 A2	264	95.91	0.196	145	604
3165	1DK1122-1GH12-0 A2	290	96.06	0.188	169	661
3571	1DK1122-1MH12-0 A2	327	96.22	0.187	190	753
3744	1DK1122-1RH12-0 A2	343	96.33	0.166	206	828
3957	1DK1122-1VH12-0 A2	363	96.33	0.161	218	903
4536	1DK1142-1JH12-0 A2	416	96.40	0.173	250	1153
4899	1DK1142-1NH12-0 A2	449	96.53	0.172	269	1272
5107	1DK1142-1SH12-0 A2	468	96.65	0.162	281	1391
5580	1DK1142-1XH12-0 A2	511	96.74	0.156	292	1539
14-pole						
3281	1DK1142-1GH14-0 A2	301	95.85	0.187	159	1208
3764	1DK1142-1NH14-0 A2	345	96.25	0.195	182	1405
4294	1DK1142-1XH14-0 A2	394	96.40	0.163	224	1699
4487	1DK1142-2CH14-0 A2	411	96.44	0.152	247	1830

Cooling method:

(14th position of the article number)

 IC01
 45 °C cooling air temperature

F

 IC81W
 38 °C cooling water temperature

N

Technical data

Marine applications

Selection and ordering data

Rated power DNV GL P_{rated} 155 (F) kVA	SIGENTICS M Marine applications Article No.	Rated current I_{rated} A	Efficiency Utilization to class 155 (F) %	Subtransient reactance x_d^* (sat.) p. u.	Max. load step for voltage drop < 15 % U_N	Moment of inertia kgm ²
6.6 kV, 60 Hz, power factor 0.8 lagging						
4-pole						
3571	1DK1082-0RK04-0 A	312	95.95	0.232	142	80
3995	1DK1082-0TK04-0 A	349	96.15	0.213	173	86
4207	1DK1082-0WK04-0 A	368	96.42	0.178	219	97
4729	1DK1082-1AK04-0 A	414	96.62	0.190	225	107
5050	1DT1102-0VK04-0 A	442	96.78	0.184	242	168
5532	1DT1102-0XK04-0 A	484	96.92	0.176	279	179
6052	1DT1102-1BK04-0 A	529	97.04	0.166	317	193
6714	1DT1102-1EK04-0 A	587	97.23	0.156	352	210
7641	1DT1102-1JK04-0 A	668	97.39	0.148	401	231
8294	1DT1102-1PK04-0 A	726	97.53	0.131	436	256
9835	1DT1122-1HK04-0 A2	860	97.56	0.179	516	330
11159	1DT1122-1PK04-0 A2	976	97.69	0.189	578	376
11632	1DT1122-1TK04-0 A2	1018	97.72	0.168	611	406
12578	1DT1122-1WK04-0 A2	1100	97.74	0.158	660	432
13240	1DT1122-2CK04-0 A2	1158	97.81	0.145	695	468
14186	1DT1142-1NK04-0 A2	1241	97.87	0.163	745	527
15888	1DT1142-1TK04-0 A2	1390	97.97	0.161	706	580
17023	1DT1142-1XK04-0 A2	1489	97.99	0.146	893	624
19009	1DT1142-2EK04-0 A2	1663	98.08	0.136	998	690
6-pole						
2702	1DK1080-0UK06-0 A	236	96.37	0.166	142	118
3213	1DK1082-1AK06-0 A	281	96.53	0.140	169	141
3435	1DK1082-1GK06-0 A	300	96.79	0.133	180	170
3966	1DK1102-0VK06-0 A	347	96.47	0.195	178	206
4680	1DK1102-0YK06-0 A	409	96.65	0.189	216	229
5041	1DK1102-1CK06-0 A	441	96.91	0.162	265	253
5627	1DK1102-1HK06-0 A	492	97.14	0.138	295	292
6317	1DK1102-1NK06-0 A	553	97.25	0.131	332	332
7093	1DK1122-1DK06-0 A2	620	97.00	0.164	372	388
8369	1DK1122-1KK06-0 A2	732	97.21	0.175	439	458
9362	1DK1122-1TK06-0 A2	819	97.45	0.136	491	550
10166	1DK1142-1FK06-0 A2	889	96.75	0.196	533	714
11490	1DK1142-1KK06-0 A2	1005	96.89	0.191	603	791
12474	1DK1142-1PK06-0 A2	1091	97.01	0.176	600	868
14280	1DK1142-1VK06-0 A2	1249	97.17	0.163	687	985

Cooling method:

(14th position of the article number)

IC01

45 °C cooling air temperature

F

IC81W

38 °C cooling water temperature

N

Bearing version:

(16th position of the article number)

Anti-friction bearings

1

Sleeve bearings

2

Selection and ordering data (continued)

Rated power DNV GL P_{rated} 155 (F) kVA	SIGENTICS M Marine applications Article No.	Rated current I_{rated} A	Efficiency Utilization to class 155 (F) %	Subtransient reactance x_d^* (sat.) p. u.	Max. load step for voltage drop < 15 % U_N	Moment of inertia kgm ²
6.6 kV, 60 Hz, power factor 0.8 lagging						
8-pole						
2113	1DK1082-0TK08-0 A	185	95.89	0.161	111	143
2557	1DK1082-1AK08-0 A	224	96.24	0.151	134	179
2654	1DK1082-1EK08-0 A	232	96.35	0.134	139	204
3122	1DK1102-0TK08-0 A	273	96.11	0.255	116	215
3349	1DK1102-0WK08-0 A	293	96.44	0.220	145	241
3831	1DK1102-1AK08-0 A	335	96.47	0.231	158	267
4082	1DK1102-1DK08-0 A	357	96.78	0.179	214	295
4651	1DK1102-1JK08-0 A	407	97.00	0.180	244	341
5192	1DK1102-1PK08-0 A	454	97.12	0.170	272	385
5721	1DK1122-1FK08-0 A2	500	97.03	0.200	259	486
6100	1DK1122-1JK08-0 A2	534	97.16	0.174	320	529
6998	1DK1122-1PK08-0 A2	612	97.28	0.163	367	598
7707	1DK1122-1VK08-0 A2	674	97.40	0.169	404	682
8228	1DK1122-2CK08-0 A2	720	97.45	0.134	432	766
8653	1DK1142-1JK08-0 A2	757	96.88	0.191	440	847
9410	1DK1142-1LK08-0 A2	823	96.95	0.180	494	891
9835	1DK1142-1PK08-0 A2	860	96.99	0.166	446	956
10639	1DK1142-1TK08-0 A2	931	97.09	0.174	551	1042
11538	1DK1142-1XK08-0 A2	1009	97.18	0.181	605	1129
12067	1DK1142-2EK08-0 A2	1056	97.27	0.164	634	1260
10-pole						
2321	1DK1102-0SK10-0 A	203	95.61	0.251	88	248
2480	1DK1102-0VK10-0 A	217	95.94	0.235	101	281
2885	1DK1102-0YK10-0 A	252	96.06	0.230	121	314
3233	1DK1102-1EK10-0 A	283	96.23	0.174	170	369
3860	1DK1102-1MK10-0 A	338	96.51	0.164	203	446
4125	1DK1102-1RK10-0 A	361	96.66	0.157	217	490
4748	1DK1122-1JK10-0 A2	415	96.93	0.181	245	636
5154	1DK1122-1MK10-0 A2	451	96.92	0.174	271	686
5438	1DK1122-1SK10-0 A2	476	97.11	0.165	286	771
5958	1DK1122-1YK10-0 A2	521	97.18	0.160	313	872
6525	1DK1142-1GK10-0 A2	571	96.75	0.224	343	904
7329	1DK1142-1LK10-0 A2	641	96.86	0.222	380	1002
7897	1DK1142-1TK10-0 A2	691	97.03	0.191	415	1172
8606	1DK1142-1XK10-0 A2	753	97.12	0.197	452	1270
9107	1DK1142-2EK10-0 A2	797	97.17	0.169	478	1417

Cooling method:

(14th position of the article number)

IC01

45 °C cooling air temperature

F

IC81W

38 °C cooling water temperature

N

Bearing version:

(16th position of the article number)

Anti-friction bearings

1

Sleeve bearings

2

Technical data

Marine applications

Selection and ordering data (continued)

Rated power DNV GL P_{rated} 155 (F) kVA	SIGENTICS M Marine applications Article No.	Rated current I_{rated} A	Efficiency Utilization to class 155 (F) %	Subtransient reactance $x_d^{\prime\prime}$ (sat.) p. u.	Max. load step for voltage drop < 15 % U_N	Moment of inertia kgm ²
6.6 kV, 60 Hz, power factor 0.8 lagging						
12-pole						
3426	1DK1122-1AK12-0 A2	300	96.00	0.235	137	548
3590	1DK1122-1DK12-0 A2	314	96.18	0.215	156	604
3860	1DK1122-1GK12-0 A2	338	96.39	0.198	186	661
4294	1DK1122-1MK12-0 A2	376	96.49	0.190	214	753
4603	1DK1122-1RK12-0 A2	403	96.58	0.162	242	828
4851	1DK1122-1VK12-0 A2	424	96.63	0.157	254	903
5296	1DK1142-1JK12-0 A2	463	96.65	0.186	278	1153
5863	1DK1142-1NK12-0 A2	513	96.73	0.187	308	1272
6194	1DK1142-1SK12-0 A2	542	96.83	0.174	325	1391
6856	1DK1142-1XK12-0 A2	600	96.89	0.165	360	1539
14-pole						
2586	1DK1122-1DK14-0 A2	226	95.69	0.223	124	616
2953	1DK1122-1JK14-0 A2	258	95.88	0.216	147	712
3426	1DK1122-1RK14-0 A2	300	96.07	0.203	180	845
3792	1DK1122-1XK14-0 A2	332	96.02	0.187	199	960
4217	1DK1142-1GK14-0 A2	369	96.21	0.207	221	1208
4791	1DK1142-1NK14-0 A2	419	96.39	0.200	251	1405
5296	1DK1142-1XK14-0 A2	463	96.63	0.183	225	1699
5580	1DK1142-2CK14-0 A2	488	96.69	0.167	248	1830

Cooling method:

(14th position of the article number)

IC01

45 °C cooling air temperature

F

IC81W

38 °C cooling water temperature

N

Selection and ordering data

Rated power DNV GL P_{rated} 155 (F) kVA	SIGENTICS M Marine applications Article No.	Rated current I_{rated} A	Efficiency Utilization to class 155 (F) %	Subtransient reactance x_d^* (sat.) p. u.	Max. load step for voltage drop < 15 % U_N	Moment of inertia kgm ²
11 kV, 50 Hz, power factor 0.8 lagging						
4-pole						
2557	1DK1082-0TN04-0 ■ A ■	134	95.52	0.205	68	86
2760	1DK1082-0WN04-0 ■ A ■	145	95.90	0.180	82	97
3358	1DK1082-1AN04-0 ■ A ■	176	96.12	0.181	100	107
3821	1DK1082-1DN04-0 ■ A ■	201	96.48	0.152	121	117
4776	1DT1102-1BN04-0 ■ A ■	251	96.62	0.134	151	193
5239	1DT1102-1EN04-0 ■ A ■	275	96.82	0.122	165	210
5797	1DT1102-1JN04-0 ■ A ■	304	96.99	0.109	182	231
6298	1DT1102-1PN04-0 ■ A ■	331	97.13	0.092	199	256
6866	1DT1102-1TN04-0 ■ A ■	360	97.30	0.105	216	277
7726	1DT1102-1YN04-0 ■ A ■	406	97.41	0.087	244	306
8890	1DT1122-1PN04-0 ■ A2	467	97.49	0.160	280	376
9599	1DT1122-1TN04-0 ■ A2	504	97.56	0.153	302	406
10119	1DT1122-1WN04-0 ■ A2	531	97.62	0.140	319	432
10592	1DT1122-2CN04-0 ■ A2	556	97.70	0.140	334	468
11443	1DT1122-2HN04-0 ■ A2	601	97.77	0.129	361	508
12909	1DT1142-1TN04-0 ■ A2	678	97.85	0.157	407	580
14138	1DT1142-1XN04-0 ■ A2	742	97.91	0.145	445	624
15557	1DT1142-2EN04-0 ■ A2	817	97.99	0.135	490	690
17023	1DT1142-2MN04-0 ■ A2	893	98.06	0.122	536	769
6-pole						
1694	1DK1082-0UN06-0 ■ A ■	89	95.30	0.148	53	118
1998	1DK1082-1AN06-0 ■ A ■	105	95.64	0.146	63	141
2490	1DK1082-1GN06-0 ■ A ■	131	96.31	0.105	79	170
2827	1DK1102-0VN06-0 ■ A ■	148	95.99	0.168	82	206
3445	1DK1102-0YN06-0 ■ A ■	181	96.28	0.152	109	229
3764	1DK1102-1CN06-0 ■ A ■	198	96.53	0.124	119	253
4005	1DK1102-1HN06-0 ■ A ■	210	96.76	0.117	126	292
4545	1DK1102-1NN06-0 ■ A ■	239	96.74	0.112	143	332
5438	1DK1122-1DN06-0 ■ A2	285	96.73	0.164	171	388
6242	1DK1122-1KN06-0 ■ A2	328	96.96	0.156	197	458
6554	1DK1122-1TN06-0 ■ A2	344	97.13	0.149	206	550
7566	1DK1122-1WN06-0 ■ A2	397	97.27	0.139	238	587
8767	1DK1142-1KN06-0 ■ A2	460	96.81	0.181	234	791
9542	1DK1142-1PN06-0 ■ A2	501	96.99	0.161	286	868
10970	1DK1142-1VN06-0 ■ A2	576	97.15	0.150	346	985
11292	1DK1142-2BN06-0 ■ A2	593	97.22	0.141	356	1082

Cooling method:

(14th position of the article number)

IC01

45 °C cooling air temperature

IC81W

38 °C cooling water temperature

F

N

Bearing version:

(16th position of the article number)

Anti-friction bearings

Sleeve bearings

1

2

Technical data

Marine applications

Selection and ordering data (continued)

Rated power DNV GL P_{rated} 155 (F) kVA	SIGENTICS M Marine applications Article No.	Rated current I_{rated} A	Efficiency Utilization to class 155 (F) %	Subtransient reactance x_d^{\prime} (sat.) p. u.	Max. load step for voltage drop < 15 % U_N	Moment of inertia kgm ²
11 kV, 50 Hz, power factor 0.8 lagging						
8-pole						
1303	1DK1082-0TN08-0 ■ A ■	68	94.65	0.137	41	143
1660	1DK1082-1AN08-0 ■ A ■	87	95.46	0.121	52	179
1834	1DK1082-1EN08-0 ■ A ■	96	95.73	0.113	58	204
2210	1DK1102-0TN08-0 ■ A ■	116	95.53	0.215	57	215
2364	1DK1102-0WN08-0 ■ A ■	124	95.93	0.186	71	241
2620	1DK1102-1AN08-0 ■ A ■	138	95.93	0.189	78	269
2750	1DK1102-1DN08-0 ■ A ■	144	96.12	0.178	86	295
3213	1DK1102-1JN08-0 ■ A ■	169	96.52	0.150	101	341
3706	1DK1102-1PN08-0 ■ A ■	195	96.67	0.145	117	385
4294	1DK1122-1FN08-0 ■ A2	225	96.68	0.180	129	486
4651	1DK1122-1JN08-0 ■ A2	244	96.86	0.159	146	529
5154	1DK1122-1PN08-0 ■ A2	271	96.95	0.144	163	598
5627	1DK1122-1VN08-0 ■ A2	295	97.09	0.148	177	682
5958	1DK1122-2CN08-0 ■ A2	313	97.23	0.142	188	766
6573	1DK1142-1JN08-0 ■ A2	345	96.70	0.173	207	848
7093	1DK1142-1LN08-0 ■ A2	372	96.66	0.178	223	891
7386	1DK1142-1PN08-0 ■ A2	388	96.78	0.180	233	956
7707	1DK1142-1TN08-0 ■ A2	405	96.90	0.168	235	1042
8634	1DK1142-1XN08-0 ■ A2	453	96.97	0.164	272	1129
9173	1DK1142-2EN08-0 ■ A2	481	97.09	0.150	289	1260
10-pole						
3474	1DK1122-1JN10-0 ■ A2	182	96.51	0.169	109	636
3908	1DK1122-1MN10-0 ■ A2	205	96.56	0.168	123	686
4198	1DK1122-1SN10-0 ■ A2	220	96.73	0.153	132	771
4729	1DK1122-1YN10-0 ■ A2	248	96.82	0.141	149	872
4918	1DK1142-1GN10-0 ■ A2	258	96.53	0.202	155	904
5580	1DK1142-1LN10-0 ■ A2	293	96.63	0.192	176	1002
6052	1DK1142-1TN10-0 ■ A2	318	96.87	0.176	191	1172
6573	1DK1142-1XN10-0 ■ A2	345	96.91	0.178	207	1270
7017	1DK1142-2EN10-0 ■ A2	368	97.00	0.154	221	1417

Cooling method:

(14th position of the article number)

IC01

45 °C cooling air temperature

F

IC81W

38 °C cooling water temperature

N

Bearing version:

(16th position of the article number)

Anti-friction bearings

1

Sleeve bearings

2

Selection and ordering data (continued)

Rated power DNV GL P_{rated} 155 (F) kVA	SIGENTICS M Marine applications Article No.	Rated current I_{rated} A	Efficiency Utilization to class 155 (F) %	Subtransient reactance x_d^{\prime} (sat.) p. u.	Max. load step for voltage drop < 15 % U_N	Moment of inertia kgm ²
11 kV, 50 Hz, power factor 0.8 lagging						
12-pole						
2413	1DK1122-1AN12-0 A2	127	95.18	0.194	69	548
2625	1DK1122-1DN12-0 A2	138	95.54	0.193	76	604
2702	1DK1122-1GN12-0 A2	142	95.69	0.179	84	661
3185	1DK1122-1MN12-0 A2	167	95.89	0.158	100	753
3358	1DK1122-1RN12-0 A2	176	96.02	0.145	106	828
3522	1DK1122-1VN12-0 A2	185	96.11	0.163	111	903
3783	1DK1142-1JN12-0 A2	199	96.28	0.189	119	1153
4275	1DK1142-1NN12-0 A2	224	96.36	0.180	121	1272
4632	1DK1142-1SN12-0 A2	243	96.48	0.155	134	1391
5012	1DK1142-1XN12-0 A2	263	96.57	0.145	156	1539
14-pole						
2876	1DK1142-1GN14-0 A2	151	95.63	0.162	69	1208
3271	1DK1142-1NN14-0 A2	172	95.92	0.160	85	1405
3638	1DK1142-1XN14-0 A2	191	96.17	0.158	105	1699
3860	1DK1142-2CN14-0 A2	203	96.10	0.131	116	1830

Cooling method:

(14th position of the article number)

IC01

45 °C cooling air temperature

F

IC81W

38 °C cooling water temperature

N

Technical data

Marine applications

Selection and ordering data

Rated power DNV GL P_{rated} 155 (F) kVA	SIGENTICS M Marine applications Article No.	Rated current I_{rated} A	Efficiency Utilization to class 155 (F) %	Subtransient reactance x_d^{\prime} (sat.) p. u.	Max. load step for voltage drop $< 15\% U_N$	Moment of inertia kgm ²
13.8 kV, 60 Hz, power factor 0.8 lagging						
4-pole						
4795	1DT1102-0VR04-0 ■ A ■	201	96.50	0.164	121	168
4889	1DT1102-0XR04-0 ■ A ■	205	96.52	0.146	123	179
5608	1DT1102-1BR04-0 ■ A ■	235	96.84	0.144	141	193
6005	1DT1102-1ER04-0 ■ A ■	251	96.97	0.131	151	210
6639	1DT1102-1JR04-0 ■ A ■	278	97.15	0.120	167	231
6667	1DT1102-1PR04-0 ■ A ■	279	97.19	0.129	167	256
8653	1DT1122-1HR04-0 ■ A2	362	97.31	0.183	217	330
10261	1DT1122-1PR04-0 ■ A2	429	97.48	0.154	250	376
10876	1DT1122-1TR04-0 ■ A2	455	97.55	0.147	273	406
11509	1DT1122-1WR04-0 ■ A2	482	97.61	0.135	289	432
12294	1DT1122-2CR04-0 ■ A2	514	97.67	0.125	308	468
13807	1DT1142-1NR04-0 ■ A2	578	97.73	0.175	347	527
14942	1DT1142-1TR04-0 ■ A2	625	97.81	0.168	375	580
15793	1DT1142-1XR04-0 ■ A2	661	97.85	0.154	397	624
18536	1DT1142-2ER04-0 ■ A2	775	97.97	0.130	465	690
6-pole						
3175	1DK1102-0VR06-0 ■ A ■	133	95.93	0.146	80	206
3812	1DK1102-0YR06-0 ■ A ■	159	95.93	0.141	95	229
4294	1DK1102-1CR06-0 ■ A ■	180	96.29	0.116	108	253
4584	1DK1102-1HR06-0 ■ A ■	192	96.63	0.102	115	292
5012	1DK1102-1NR06-0 ■ A ■	210	96.67	0.106	126	332
5977	1DK1122-1DR06-0 ■ A2	250	96.58	0.141	150	388
7017	1DK1122-1KR06-0 ■ A2	294	96.83	0.136	176	458
7641	1DK1122-1TR06-0 ■ A2	320	97.08	0.118	192	550
7840	1DK1142-1FR06-0 ■ A2	328	96.23	0.173	197	714
9135	1DK1142-1KR06-0 ■ A2	382	96.47	0.177	229	791
10261	1DK1142-1PR06-0 ■ A2	429	96.72	0.148	257	868
12332	1DK1142-1VR06-0 ■ A2	516	96.89	0.131	310	985

Cooling method:

(14th position of the article number)

IC01

45 °C cooling air temperature

IC81W

38 °C cooling water temperature

F

N

Bearing version:

(16th position of the article number)

Anti-friction bearings

Sleeve bearings

1

2

Selection and ordering data (continued)

Rated power DNV GL P_{rated} 155 (F) kVA	SIGENTICS M Marine applications Article No.	Rated current I_{rated} A	Efficiency Utilization to class 155 (F) %	Subtransient reactance x_d^{\prime} (sat.) p. u.	Max. load step for voltage drop $< 15\% U_N$	Moment of inertia kgm ²
13.8 kV, 60 Hz, power factor 0.8 lagging						
8-pole						
2470	1DK1102-0TR08-0 ■ A ■	103	95.43	0.188	58	215
2625	1DK1102-0WR08-0 ■ A ■	110	95.82	0.160	66	241
2953	1DK1102-1AR08-0 ■ A ■	124	95.81	0.166	74	269
3291	1DK1102-1DR08-0 ■ A ■	138	96.03	0.133	83	295
3474	1DK1102-1JR08-0 ■ A ■	145	95.86	0.147	87	341
4121	1DK1102-1PR08-0 ■ A ■	172	96.55	0.125	103	385
4776	1DK1122-1FR08-0 ■ A2	200	96.67	0.155	120	486
5107	1DK1122-1JR08-0 ■ A2	214	96.78	0.135	128	529
5485	1DK1122-1PR08-0 ■ A2	229	96.87	0.139	137	598
6289	1DK1122-1VR08-0 ■ A2	263	97.01	0.128	158	682
6525	1DK1122-2CR08-0 ■ A2	273	97.14	0.121	164	766
6762	1DK1142-1JR08-0 ■ A2	283	96.48	0.186	170	848
8086	1DK1142-1LR08-0 ■ A2	338	96.61	0.170	203	891
8209	1DK1142-1PR08-0 ■ A2	343	96.65	0.156	206	956
8767	1DK1142-1TR08-0 ■ A2	367	96.78	0.147	220	1042
9883	1DK1142-1XR08-0 ■ A2	413	96.87	0.142	248	1129
10403	1DK1142-2ER08-0 ■ A2	435	96.95	0.131	261	1260
10-pole						
3957	1DK1122-1JR10-0 ■ A2	166	96.49	0.147	100	636
4198	1DK1122-1MR10-0 ■ A2	176	96.53	0.166	106	686
4516	1DK1122-1SR10-0 ■ A2	189	96.72	0.158	113	771
4880	1DK1122-1YR10-0 ■ A2	204	96.81	0.144	122	872
5580	1DK1142-1GR10-0 ■ A2	233	96.45	0.201	140	904
6346	1DK1142-1LR10-0 ■ A2	265	96.53	0.193	159	1002
6998	1DK1142-1TR10-0 ■ A2	293	96.72	0.156	176	1172
7566	1DK1142-1XR10-0 ■ A2	317	96.80	0.158	190	1270
7991	1DK1142-2ER10-0 ■ A2	334	96.91	0.147	173	1417

Cooling method:

(14th position of the article number)

IC01

45 °C cooling air temperature

IC81W

38 °C cooling water temperature

F

N

Bearing version:

(16th position of the article number)

Anti-friction bearings

Sleeve bearings

1

2

Technical data

Marine applications

Selection and ordering data (continued)

Rated power DNV GL P_{rated} 155 (F) kVA	SIGENTICS M Marine applications Article No.	Rated current I_{rated} A	Efficiency Utilization to class 155 (F) %	Subtransient reactance x_d'' (sat.) p. u.	Max. load step for voltage drop < 15 % U_N	Moment of inertia kgm ²
13.8 kV, 60 Hz, power factor 0.8 lagging						
12-pole						
2731	1DK1122-1AR12-0 A2	114	95.18	0.202	59	548
2943	1DK1122-1DR12-0 A2	123	95.46	0.174	74	604
3059	1DK1122-1GR12-0 A2	128	95.69	0.164	77	661
3474	1DK1122-1MR12-0 A2	145	95.84	0.169	87	753
3551	1DK1122-1RR12-0 A2	149	95.90	0.152	89	828
3957	1DK1122-1VR12-0 A2	166	96.02	0.145	100	903
3908	1DK1142-1JR12-0 A2	163	96.07	0.152	86	1153
4362	1DK1142-1NR12-0 A2	182	96.22	0.155	100	1272
4729	1DK1142-1SR12-0 A2	198	96.36	0.166	105	1391
5362	1DK1142-1XR12-0 A2	224	96.45	0.151	130	1539
14-pole						
2316	1DK1122-1DR14-0 A2	97	95.04	0.184	58	616
2654	1DK1122-1JR14-0 A2	111	95.30	0.177	67	712
2992	1DK1122-1RR14-0 A2	125	95.45	0.161	75	845
3358	1DK1122-1XR14-0 A2	140	95.74	0.165	84	960
3715	1DK1142-1NR14-0 A2	155	95.67	0.151	93	1405
4198	1DK1142-1XR14-0 A2	176	95.91	0.149	106	1699
4410	1DK1142-2CR14-0 A2	185	95.76	0.116	97	1830

Cooling method:

(14th position of the article number)

IC01

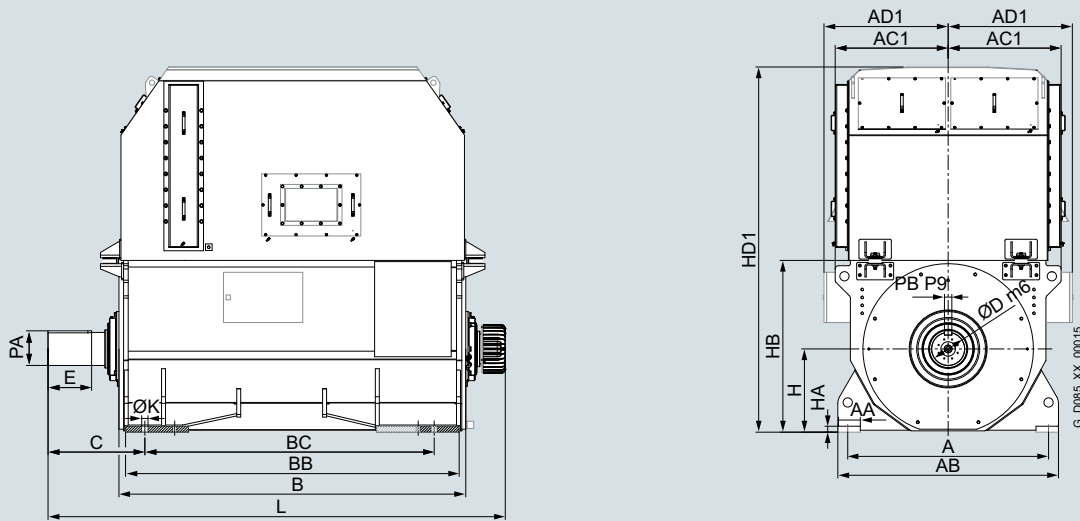
45 °C cooling air temperature

F

IC81W

38 °C cooling water temperature

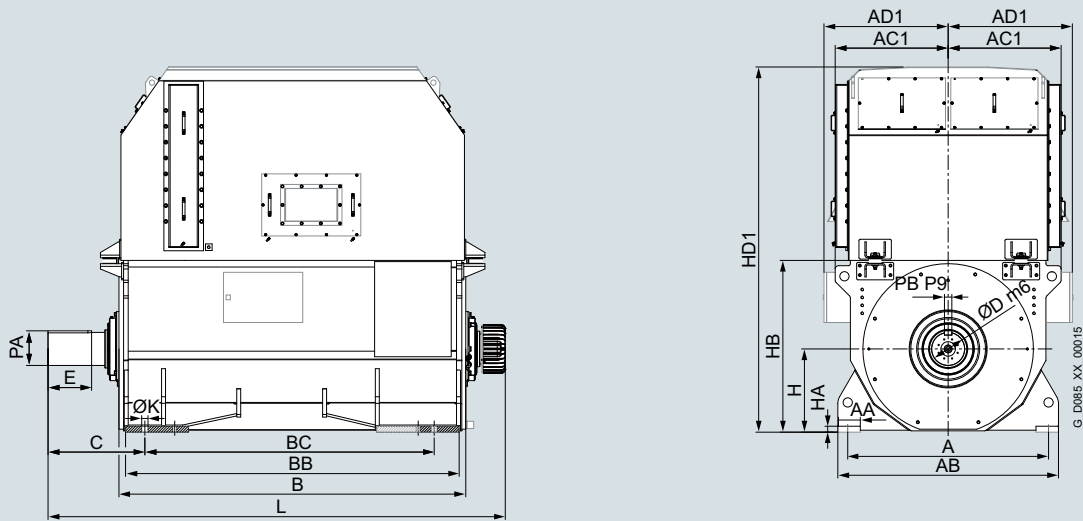
N

Dimensional drawings


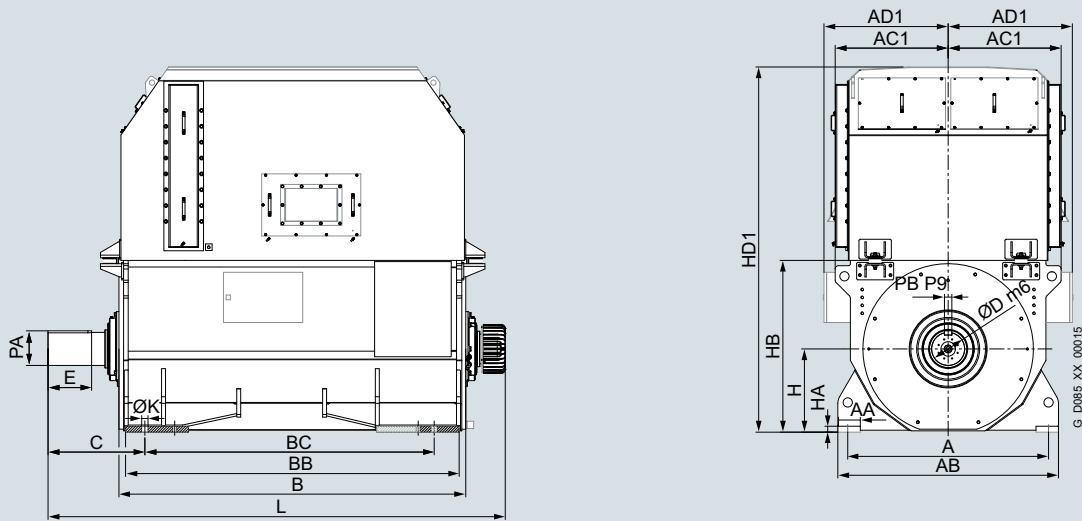
Article No.	Dimensions													A
	Ø D	E	PB	PA	L	B	BB	BC	BD	BE	C	AB		
	mm	mm	mm	mm	mm	mm	mm	mm	mm	mm	mm	mm	mm	
1DK1 (Z ventilation), anti-friction bearing														
4-pole, 400 V, 50 Hz														
1DK1082-0TA04-0NA1	180	240	45	190	2785	1815	1745	1450	–	–	660	1340	1200	
6-pole, 400 V, 50 Hz														
1DK1082-0UA06-0NA1	180	240	45	190	2816	1815	1745	1450	–	–	691	1340	1200	
1DK1082-1AA06-0NA1	190	280	45	210	3026	2015	1945	1650	–	–	691	1340	1200	
1DK1082-1GA06-0NA1	190	280	50	221	3036	2015	1945	1650	–	–	691	1340	1200	
Article No. (repeated)	Dimensions									Weight				
	HA	AA	H	HB	HD ₁	AC ₁	AD ₁	Ø K	kg					
	mm	mm	mm	mm	mm	mm	mm	mm						
4-pole, 400 V, 50 Hz														
1DK1082-0TA04-0NA1	45	150	560	1170	2473	720	720	48	7904					
6-pole, 400 V, 50 Hz														
1DK1082-0UA06-0NA1	45	150	560	1170	2273	720	720	48	7857					
1DK1082-1AA06-0NA1	45	150	560	1170	2273	720	720	48	8772					
1DK1082-1GA06-0NA1	45	150	560	1170	2273	720	720	48	9720					

Technical data

Industrial/Marine applications

IC81W cooling method**Dimensional drawings** (continued)

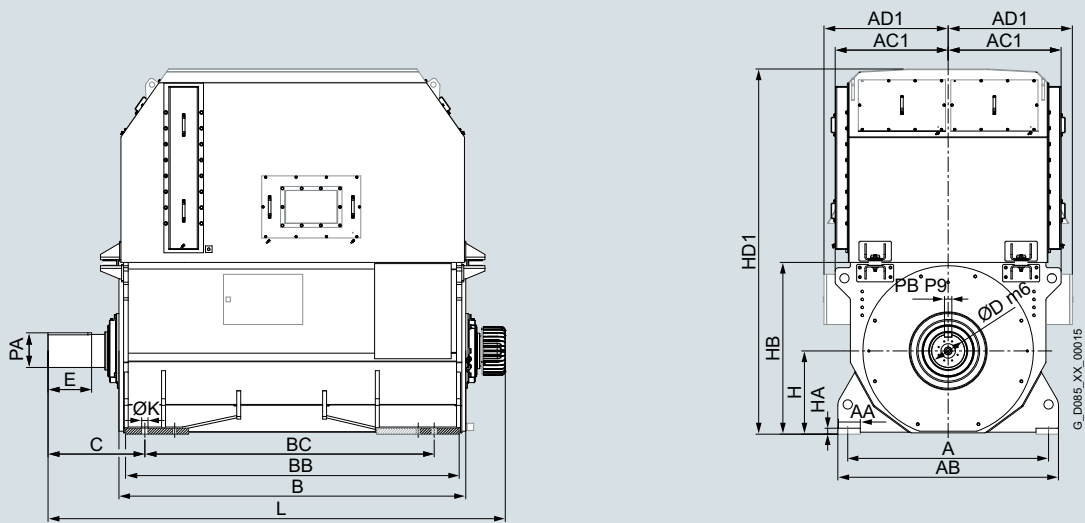
Article No.	Dimensions												
	Ø D mm	E mm	PB mm	PA mm	L mm	B mm	BB mm	BC mm	BD mm	BE mm	C mm	AB mm	A mm
1DK1 (Z ventilation), anti-friction bearing													
8-pole, 400 V, 50 Hz													
1DK1082-0TA08-0NA1	180	240	45	190	2816	1815	1745	1450	–	–	691	1340	1200
1DK1082-1AA08-0NA1	190	280	45	210	2836	1815	1745	1450	–	–	691	1340	1200
1DK1082-1EA08-0NA1	190	280	45	210	3026	2015	1945	1650	–	–	691	1340	1200
1DK1102-0TA08-0NA1	210	280	50	227	3176	2370	2280	1935	–	–	682	1670	1520
1DK1102-1JA08-0NA1	210	280	50	227	3176	2370	2280	1935	–	–	682	1670	1520
Article No. (repeated)	Dimensions									Weight kg			
	HA mm	AA mm	H mm	HB mm	HD ₁ mm	AC ₁ mm	AD ₁ mm	Ø K mm					
8-pole, 400 V, 50 Hz													
1DK1082-0TA08-0NA1	45	150	560	1170	2323	720	720	48	7669				
1DK1082-1AA08-0NA1	45	150	560	1170	2323	720	720	48	8594				
1DK1082-1EA08-0NA1	45	150	560	1170	2323	720	720	48	9352				
1DK1102-0TA08-0NA1	45	170	630	1300	2270	855	950	48	10406				
1DK1102-1JA08-0NA1	45	170	630	1300	2270	855	950	48	13025				

Dimensional drawings (continued)


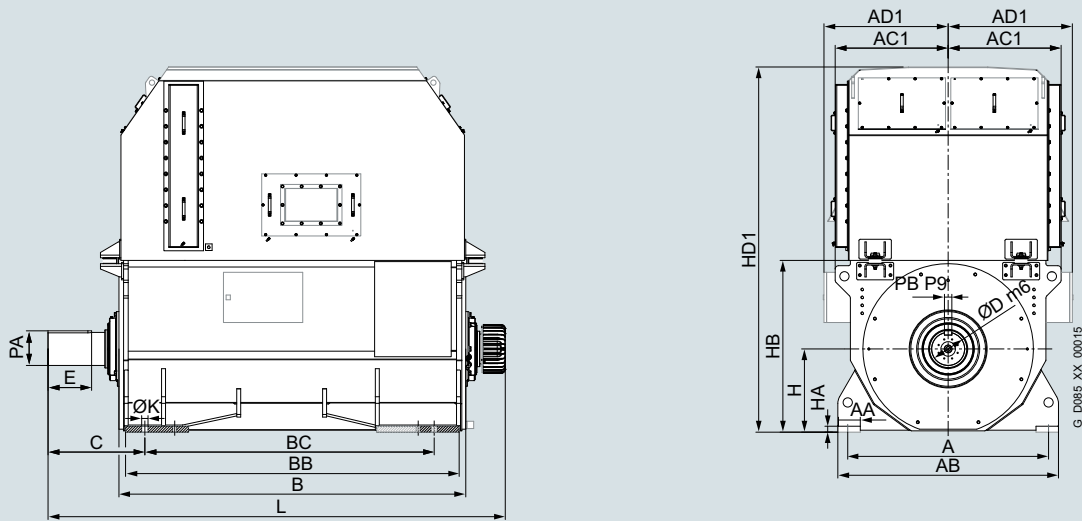
Article No.	Dimensions												
	Ø D	E	PB	PA	L	B	BB	BC	BD	BE	C	AB	A
	mm	mm	mm	mm	mm	mm	mm	mm	mm	mm	mm	mm	mm
1DK1 (Z ventilation), anti-friction bearing													
10-pole, 400 V, 50 Hz													
1DK1082-0QA10-0NA1	180	240	45	190	2816	1815	1745	1450	–	–	691	1340	1200
1DK1082-1CA10-0NA1	190	280	45	210	3026	2015	1945	1650	–	–	691	1340	1200
1DK1102-0YA10-0NA1	220	280	50	237	3176	2370	2280	1935	–	–	682	1670	1520
1DK1102-1EA10-0NA1	220	280	50	237	3176	2370	2280	1935	–	–	682	1670	1520
1DK1102-1MA10-0NA1	210	280	50	227	3176	2370	2280	1935	–	–	682	1670	1520
Article No. (repeated)	Dimensions									Weight			
	HA	AA	H	HB	HD ₁	AC ₁	AD ₁	Ø K	kg				
	mm	mm	mm	mm	mm	mm	mm	mm					
10-pole, 400 V, 50 Hz													
1DK1082-0QA10-0NA1	45	150	560	1170	2323	720	720	48	7306				
1DK1082-1CA10-0NA1	45	150	560	1170	2323	720	720	48	9040				
1DK1102-0YA10-0NA1	45	170	630	1300	2270	855	950	48	11003				
1DK1102-1EA10-0NA1	45	170	630	1300	2270	855	950	48	11849				
1DK1102-1MA10-0NA1	45	170	630	1300	2470	855	950	48	13197				

Technical data

Industrial/Marine applications

IC81W cooling method**Dimensional drawings**

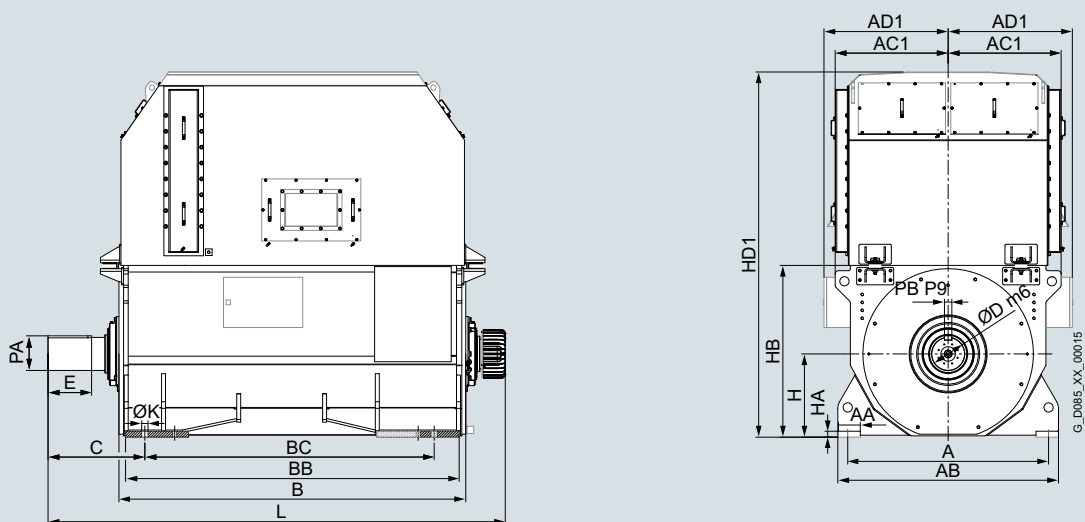
Article No.	Dimensions												
	Ø D	E	PB	PA	L	B	BB	BC	BD	BE	C	AB	A
	mm	mm	mm	mm	mm	mm	mm	mm	mm	mm	mm	mm	mm
1DK1 (Z ventilation), anti-friction bearing													
4-pole, 450 V, 60 Hz													
1DK1082-ORB04-0NA1	180	240	45	190	2785	1815	1745	1450	-	-	660	1340	1200
6-pole, 450 V, 60 Hz													
1DK1082-0UB06-0NA1	190	280	45	200	2826	1815	1745	1450	-	-	691	1340	1200
1DK1082-1AB06-0NA1	190	280	45	210	3026	2015	1945	1650	-	-	691	1340	1200
Article No. (repeated)	Dimensions									Weight			
	HA	AA	H	HB	HD ₁	AC ₁	AD ₁	Ø K	kg				
	mm	mm	mm	mm	mm	mm	mm	mm	mm				
4-pole, 450 V, 60 Hz													
1DK1082-ORB04-0NA1	45	150	560	1170	2473	720	720	48	7675				
6-pole, 450 V, 60 Hz													
1DK1082-0UB06-0NA1	45	150	560	1170	2273	720	720	48	7877				
1DK1082-1AB06-0NA1	45	150	560	1170	2273	720	720	48	8859				

Dimensional drawings (continued)


Article No.	Dimensions												
	Ø D	E	PB	PA	L	B	BB	BC	BD	BE	C	AB	A
	mm	mm	mm	mm	mm	mm	mm	mm	mm	mm	mm	mm	mm
1DK1 (Z ventilation), anti-friction bearing													
8-pole, 450 V, 60 Hz													
1DK1082-0TB08-0NA1	190	280	45	200	2826	1815	1745	1450	–	–	691	1340	1200
1DK1082-1AB08-0NA1	190	280	45	200	2826	1815	1745	1450	–	–	691	1340	1200
1DK1082-1EB08-0NA1	190	280	45	210	3026	2015	1945	1650	–	–	691	1340	1200
1DK1102-0TB08-0NA1	210	280	50	227	3176	2370	2280	1935	–	–	682	1670	1520
1DK1102-0WB08-0NA1	210	280	50	227	3176	2370	2280	1935	–	–	682	1670	1520
Article No. (repeated)	Dimensions									Weight			
	HA	AA	H	HB	HD ₁	AC ₁	AD ₁	Ø K	kg				
	mm	mm	mm	mm	mm	mm	mm	mm					
8-pole, 450 V, 60 Hz													
1DK1082-0TB08-0NA1	45	150	560	1170	2323	720	720	48	7714				
1DK1082-1AB08-0NA1	45	150	560	1170	2323	720	720	48	8580				
1DK1082-1EB08-0NA1	45	150	560	1170	2323	720	720	48	9352				
1DK1102-0TB08-0NA1	45	170	630	1300	2470	855	950	48	10546				
1DK1102-0WB08-0NA1	45	170	630	1300	2470	855	950	48	11064				

Technical data

Industrial/Marine applications

IC81W cooling method**Dimensional drawings** (continued)

Article No.	Dimensions												
	Ø D	E	PB	PA	L	B	BB	BC	BD	BE	C	AB	A
	mm	mm	mm	mm	mm	mm	mm	mm	mm	mm	mm	mm	mm

1DK1 (Z ventilation), anti-friction bearing

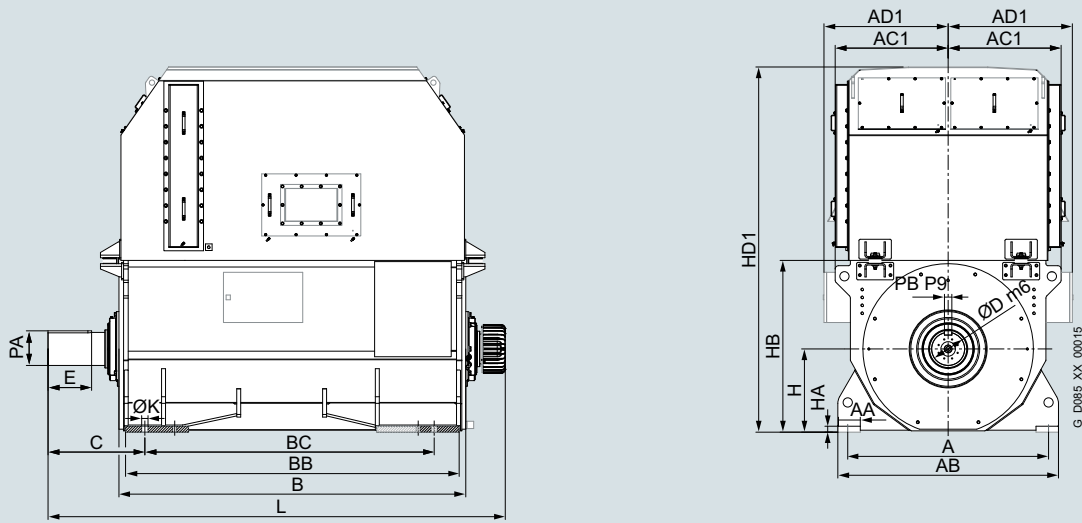
10-pole, 450 V, 60 Hz

1DK1082-0QB10-0NA1	180	240	45	190	2816	1815	1745	1450	–	–	691	1340	1200
1DK1082-0UB10-0NA1	190	280	45	200	2826	1815	1745	1450	–	–	691	1340	1200
1DK1082-1CB10-0NA1	190	280	50	221	3036	2015	1945	1650	–	–	691	1340	1200
1DK1102-0SB10-0NA1	210	280	50	227	3176	2370	2280	1935	–	–	682	1670	1520
1DK1102-0YB10-0NA1	210	280	50	227	3176	2370	2280	1935	–	–	682	1670	1520
1DK1102-1EB10-0NA1	210	280	50	227	3176	2370	2280	1935	–	–	682	1670	1520

Article No. (repeated)	Dimensions								Weight
	HA	AA	H	HB	HD ₁	AC ₁	AD ₁	Ø K	
	mm	mm	mm	mm	mm	mm	mm	mm	kg

10-pole, 450 V, 60 Hz

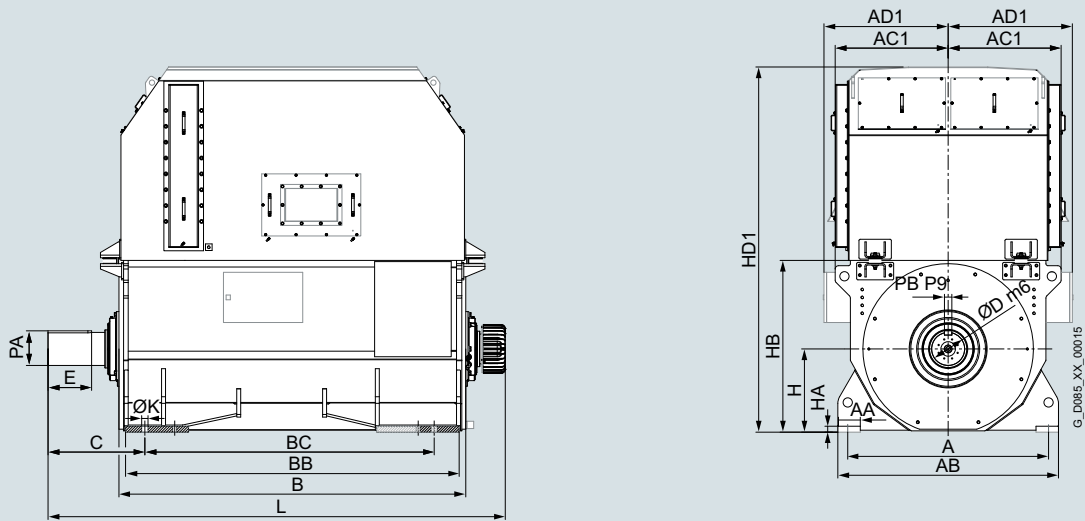
1DK1082-0QB10-0NA1	45	150	560	1170	2323	720	720	48	7284
1DK1082-0UB10-0NA1	45	150	560	1170	2323	720	720	48	7861
1DK1082-1CB10-0NA1	45	150	560	1170	2323	720	720	48	9000
1DK1102-0SB10-0NA1	45	170	630	1300	2270	855	950	48	10063
1DK1102-0YB10-0NA1	45	170	630	1300	2470	855	950	48	11143
1DK1102-1EB10-0NA1	45	170	630	1300	2470	855	950	48	12020

Dimensional drawings


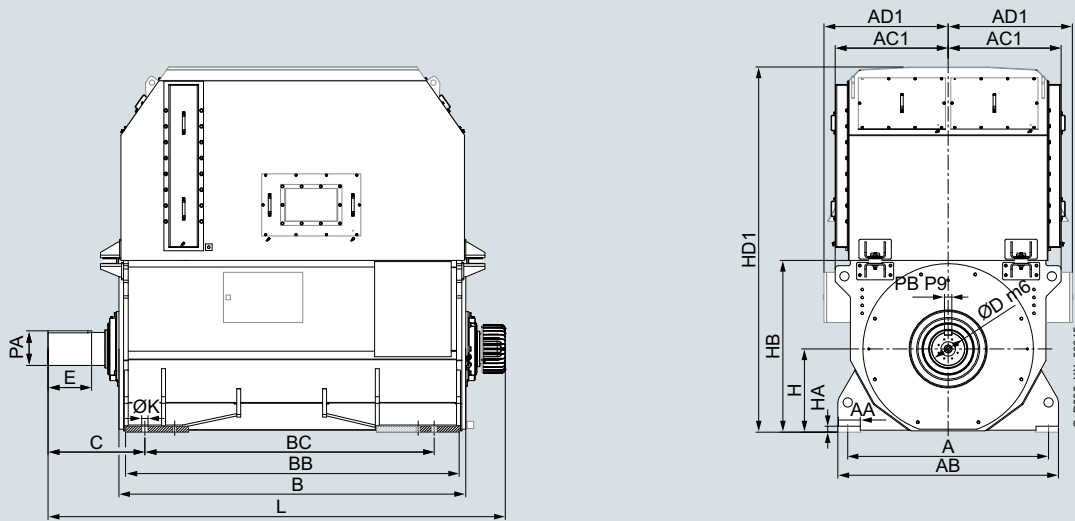
Article No.	Dimensions												
	Ø D	E	PB	PA	L	B	BB	BC	BD	BE	C	AB	A
	mm	mm	mm	mm	mm	mm	mm	mm	mm	mm	mm	mm	mm
1DK1 (Z ventilation), anti-friction bearing													
4-pole, 690 V, 50 Hz													
1DK1082-0TC04-0NA1	180	240	45	190	2785	1815	1745	1450	–	–	660	1340	1200
1DK1082-0WC04-0NA1	190	280	45	200	2995	2015	1945	1650	–	–	660	1340	1200
1DK1082-1AC04-0NA1	190	280	45	210	3005	2015	1945	1650	–	–	660	1340	1200
1DK1082-1DC04-0NA1	190	280	45	210	3005	2015	1945	1650	–	–	660	1340	1200
Article No. (repeated)	Dimensions								Weight				
	HA	AA	H	HB	HD ₁	AC ₁	AD ₁	Ø K					
	mm	mm	mm	mm	mm	mm	mm	mm	kg				
4-pole, 690 V, 50 Hz													
1DK1082-0TC04-0NA1	45	150	560	1170	2473	720	720	48	7904				
1DK1082-0WC04-0NA1	45	150	560	1170	2473	720	720	48	8515				
1DK1082-1AC04-0NA1	45	150	560	1170	2473	720	720	48	8985				
1DK1082-1DC04-0NA1	45	150	560	1170	2473	720	720	48	9419				

Technical data

Industrial/Marine applications

IC81W cooling method**Dimensional drawings** (continued)

Article No.	Dimensions												
	Ø D mm	E mm	PB mm	PA mm	L mm	B mm	BB mm	BC mm	BD mm	BE mm	C mm	AB mm	A mm
1DK1 (Z ventilation), anti-friction bearing													
6-pole, 690 V, 50 Hz													
1DK1080-0UC06-0NA1	190	280	45	200	2826	1815	1745	1450	–	–	691	1340	1200
1DK1082-1AC06-0NA1	190	280	45	210	3026	2015	1945	1650	–	–	691	1340	1200
1DK1082-1GC06-0NA1	190	280	50	221	3036	2015	1945	1650	–	–	691	1340	1200
1DK1102-0YC06-0NA1	210	280	50	227	3176	2370	2280	1935	–	–	682	1670	1520
1DK1102-1CC06-0NA1	220	280	50	237	3176	2370	2280	1935	–	–	682	1670	1520
1DK1102-1HC06-0NA1	210	280	50	227	3176	2370	2280	1935	–	–	682	1670	1520
1DK1102-1NC06-0NA1	220	280	50	237	3421	2615	2525	2180	–	–	682	1670	1520
Article No. (repeated)	Dimensions									Weight kg			
	HA mm	AA mm	H mm	HB mm	HD ₁ mm	AC ₁ mm	AD ₁ mm	Ø K mm					
6-pole, 690 V, 50 Hz													
1DK1080-0UC06-0NA1	45	150	560	1170	2273	720	720	48	7917				
1DK1082-1AC06-0NA1	45	150	560	1170	2273	720	720	48	8784				
1DK1082-1GC06-0NA1	45	150	560	1170	2273	720	720	48	9690				
1DK1102-0YC06-0NA1	45	170	630	1300	2470	855	950	48	11483				
1DK1102-1CC06-0NA1	45	170	630	1300	2470	855	950	48	11955				
1DK1102-1HC06-0NA1	45	170	630	1300	2470	855	950	48	12755				
1DK1102-1NC06-0NA1	45	170	630	1300	2470	855	950	48	14029				

Dimensional drawings (continued)


Article No.	Dimensions												
	Ø D	E	PB	PA	L	B	BB	BC	BD	BE	C	AB	A
	mm	mm	mm	mm	mm	mm	mm	mm	mm	mm	mm	mm	mm

1DK1 (Z ventilation), anti-friction bearing

8-pole, 690 V, 50 Hz

1DK1082-0TC08-0NA1	180	240	45	190	2816	1815	1745	1450	–	–	691	1340	1200
1DK1082-1AC08-0NA1	190	280	45	210	2836	1815	1745	1450	–	–	691	1340	1200
1DK1082-1EC08-0NA1	190	280	50	221	3036	2015	1945	1650	–	–	691	1340	1200
1DK1102-0WC08-0NA1	210	280	50	227	3176	2370	2280	1935	–	–	682	1670	1520
1DK1102-1DC08-0NA1	210	280	50	227	3176	2370	2280	1935	–	–	682	1670	1520
1DK1102-1JC08-0NA1	210	280	50	227	3176	2370	2280	1935	–	–	682	1670	1520
1DK1102-1PC08-0NA1	220	280	50	237	3421	2615	2525	2180	–	–	682	1670	1520

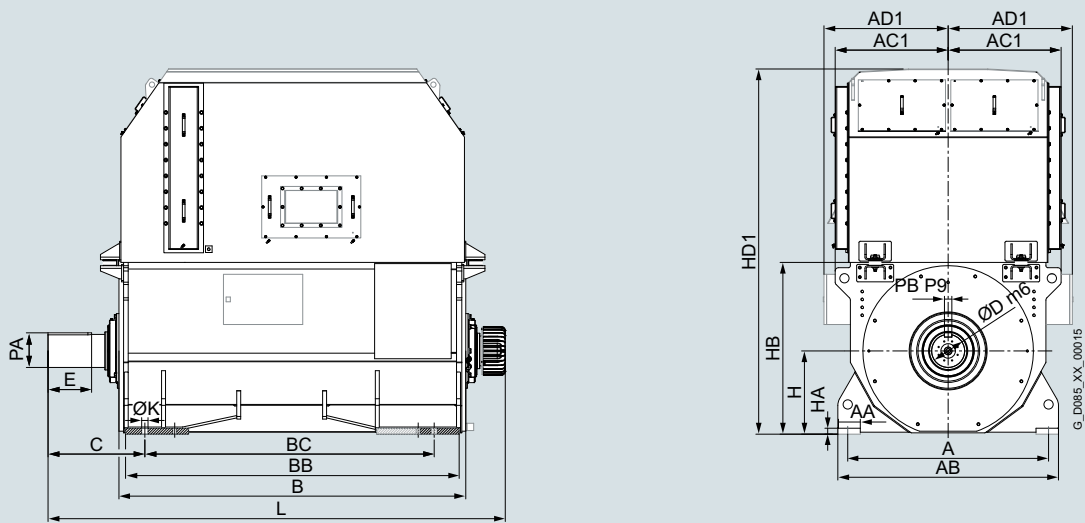
Article No. (repeated)	Dimensions								Weight
	HA	AA	H	HB	HD ₁	AC ₁	AD ₁	Ø K	
	mm	mm	mm	mm	mm	mm	mm	mm	kg

8-pole, 690 V, 50 Hz

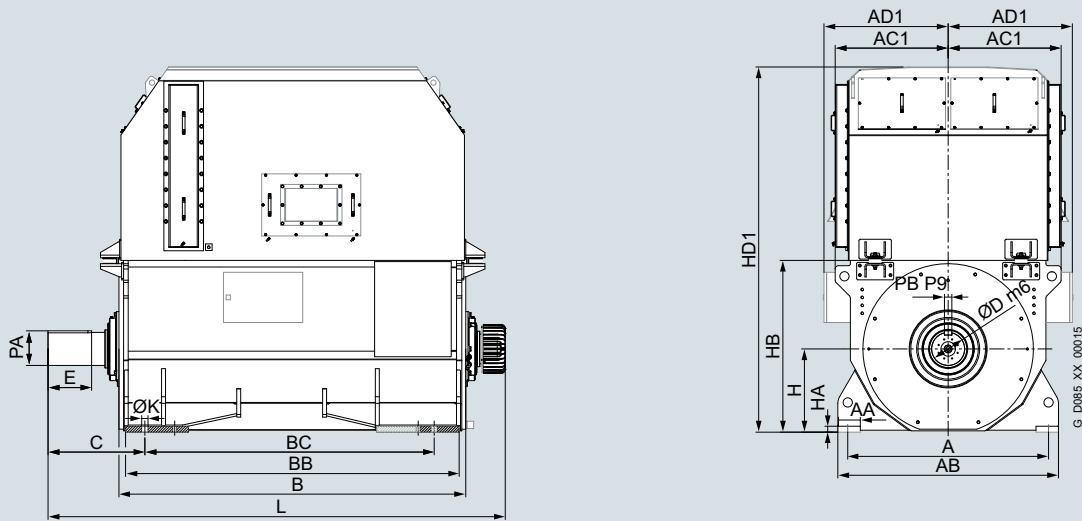
1DK1082-0TC08-0NA1	45	150	560	1170	2323	720	720	48	7708
1DK1082-1AC08-0NA1	45	150	560	1170	2323	720	720	48	8577
1DK1082-1EC08-0NA1	45	150	560	1170	2323	720	720	48	9282
1DK1102-0WC08-0NA1	45	170	630	1300	2470	855	950	48	10903
1DK1102-1DC08-0NA1	45	170	630	1300	2470	855	950	48	12078
1DK1102-1JC08-0NA1	45	170	630	1300	2470	855	950	48	13054
1DK1102-1PC08-0NA1	45	170	630	1300	2470	855	950	48	14217

Technical data

Industrial/Marine applications

IC81W cooling method**Dimensional drawings** (continued)

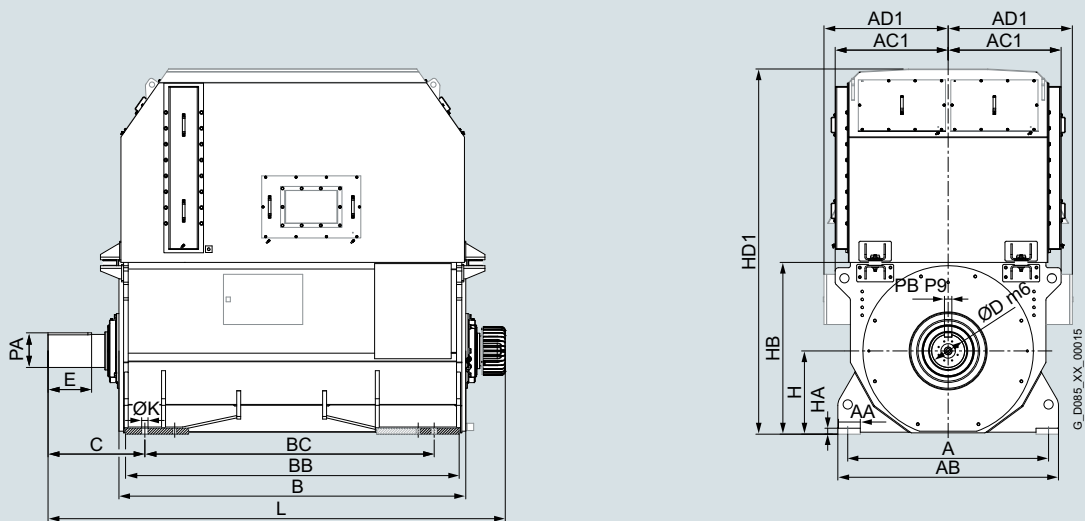
Article No.	Dimensions												
	Ø D mm	E mm	PB mm	PA mm	L mm	B mm	BB mm	BC mm	BD mm	BE mm	C mm	AB mm	A mm
1DK1 (Z ventilation), anti-friction bearing													
10-pole, 690 V, 50 Hz													
1DK1082-0QC10-0NA1	180	240	45	190	2816	1815	1745	1450	–	–	691	1340	1200
1DK1082-0WC10-0NA1	190	280	45	200	3016	2015	1945	1650	–	–	691	1340	1200
1DK1082-1CC10-0NA1	190	280	45	210	3026	2015	1945	1650	–	–	691	1340	1200
1DK1102-0VC10-0NA1	210	280	50	227	3176	2370	2280	1935	–	–	682	1670	1520
1DK1102-0YC10-0NA1	220	280	50	237	3176	2370	2280	1935	–	–	682	1670	1520
1DK1102-1EC10-0NA1	210	280	50	227	3176	2370	2280	1935	–	–	682	1670	1520
1DK1102-1RC10-0NA1	220	280	50	237	3421	2615	2525	2180	–	–	682	1670	1520
Article No. (repeated)	Dimensions									Weight kg			
	HA mm	AA mm	H mm	HB mm	HD ₁ mm	AC ₁ mm	AD ₁ mm	Ø K mm					
10-pole, 690 V, 50 Hz													
1DK1082-0QC10-0NA1	45	150	560	1170	2323	720	720	48	7284				
1DK1082-0WC10-0NA1	45	150	560	1170	2323	720	720	48	8313				
1DK1082-1CC10-0NA1	45	150	560	1170	2323	720	720	48	9035				
1DK1102-0VC10-0NA1	45	170	630	1300	2270	855	950	48	10541				
1DK1102-0YC10-0NA1	45	170	630	1300	2270	855	950	48	11001				
1DK1102-1EC10-0NA1	45	170	630	1300	2470	855	950	48	11993				
1DK1102-1RC10-0NA1	45	170	630	1300	2470	855	950	48	14178				

Dimensional drawings (continued)


Article No.	Dimensions												
	Ø D	E	PB	PA	L	B	BB	BC	BD	BE	C	AB	A
	mm	mm	mm	mm	mm	mm	mm	mm	mm	mm	mm	mm	mm
1DK1 (Z ventilation), anti-friction bearing													
4-pole, 690 V, 60 Hz													
1DK1082-ORD04-0NA1	180	240	45	190	2785	1815	1745	1450	–	–	660	1340	1200
1DK1082-OTD04-0NA1	180	240	45	190	2785	1815	1745	1450	–	–	660	1340	1200
1DK1082-OWD04-0NA1	190	280	45	200	2995	2015	1945	1650	–	–	660	1340	1200
1DK1082-1AD04-0NA1	190	280	45	210	3005	2015	1945	1650	–	–	660	1340	1200
Article No. (repeated)	Dimensions								Weight				
	HA	AA	H	HB	HD ₁	AC ₁	AD ₁	Ø K					
	mm	mm	mm	mm	mm	mm	mm	mm	kg				
4-pole, 690 V, 60 Hz													
1DK1082-ORD04-0NA1	45	150	560	1170	2473	720	720	48	7621				
1DK1082-OTD04-0NA1	45	150	560	1170	2473	720	720	48	7920				
1DK1082-OWD04-0NA1	45	150	560	1170	2473	720	720	48	8576				
1DK1082-1AD04-0NA1	45	150	560	1170	2473	720	720	48	9022				

Technical data

Industrial/Marine applications

IC81W cooling method**Dimensional drawings** (continued)

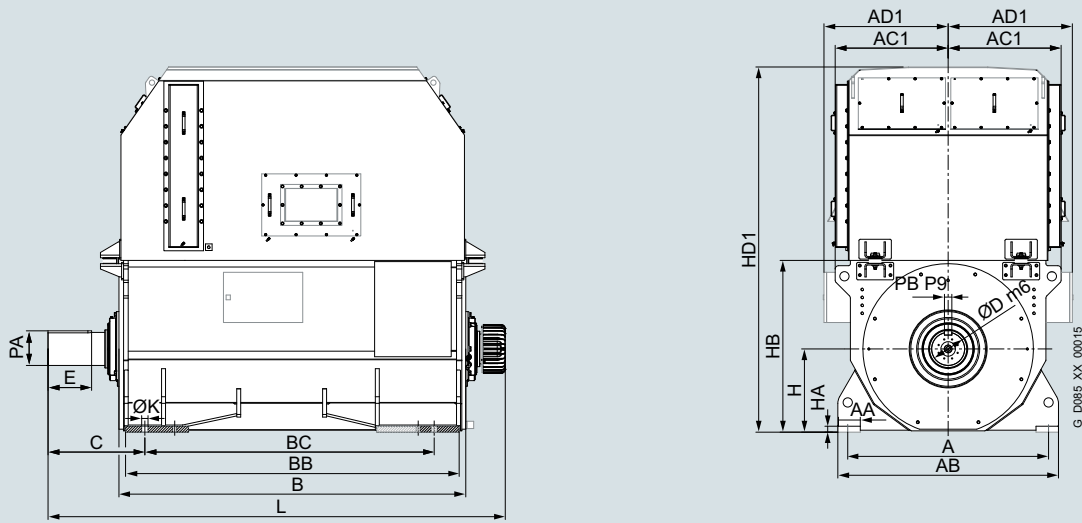
Article No.	Dimensions												
	Ø D	E	PB	PA	L	B	BB	BC	BD	BE	C	AB	A
	mm	mm	mm	mm	mm	mm	mm	mm	mm	mm	mm	mm	mm

1DK1 (Z ventilation), anti-friction bearing

6-pole, 690 V, 60 Hz

1DK1080-0UD06-0NA1	190	280	45	200	2826	1815	1745	1450	–	–	691	1340	1200
1DK1082-1AD06-0NA1	190	280	45	210	3026	2015	1945	1650	–	–	691	1340	1200
1DK1082-1GD06-0NA1	190	280	50	221	3036	2015	1945	1650	–	–	691	1340	1200
1DK1102-0VD06-0NA1	210	280	50	227	3176	2370	2280	1935	–	–	682	1670	1520
1DK1102-0YD06-0NA1	210	280	50	227	3176	2370	2280	1935	–	–	682	1670	1520
1DK1102-1CD06-0NA1	220	280	50	237	3176	2370	2280	1935	–	–	682	1670	1520
1DK1102-1HD06-0NA1	210	280	50	227	3176	2370	2280	1935	–	–	682	1670	1520

Article No. (repeated)	Dimensions								Weight
	HA	AA	H	HB	HD ₁	AC ₁	AD ₁	Ø K	
	mm	mm	mm	mm	mm	mm	mm	mm	kg
6-pole, 690 V, 60 Hz									
1DK1080-0UD06-0NA1	45	150	560	1170	2273	720	720	48	7877
1DK1082-1AD06-0NA1	45	150	560	1170	2273	720	720	48	8807
1DK1082-1GD06-0NA1	45	150	560	1170	2273	720	720	48	9566
1DK1102-0VD06-0NA1	45	170	630	1300	2470	855	950	48	11000
1DK1102-0YD06-0NA1	45	170	630	1300	2470	855	950	48	11494
1DK1102-1CD06-0NA1	45	170	630	1300	2470	855	950	48	11944
1DK1102-1HD06-0NA1	45	170	630	1300	2470	855	950	48	12819

Dimensional drawings (continued)


Article No.	Dimensions												
	Ø D	E	PB	PA	L	B	BB	BC	BD	BE	C	AB	A
	mm	mm	mm	mm	mm	mm	mm	mm	mm	mm	mm	mm	mm

1DK1 (Z ventilation), anti-friction bearing

8-pole, 690 V, 60 Hz

1DK1082-OTD08-0NA1	190	280	45	200	2826	1815	1745	1450	–	–	691	1340	1200
1DK1082-1AD08-0NA1	190	280	45	210	2836	1815	1745	1450	–	–	691	1340	1200
1DK1082-1ED08-0NA1	190	280	50	221	3036	2015	1945	1650	–	–	691	1340	1200
1DK1102-OWD08-0NA1	210	280	50	227	3176	2370	2280	1935	–	–	682	1670	1520
1DK1102-1AD08-0NA1	210	280	50	227	3176	2370	2280	1935	–	–	682	1670	1520
1DK1102-1DD08-0NA1	210	280	50	227	3176	2370	2280	1935	–	–	682	1670	1520
1DK1102-1PD08-0NA1	220	280	50	237	3421	2615	2525	2180	–	–	682	1670	1520

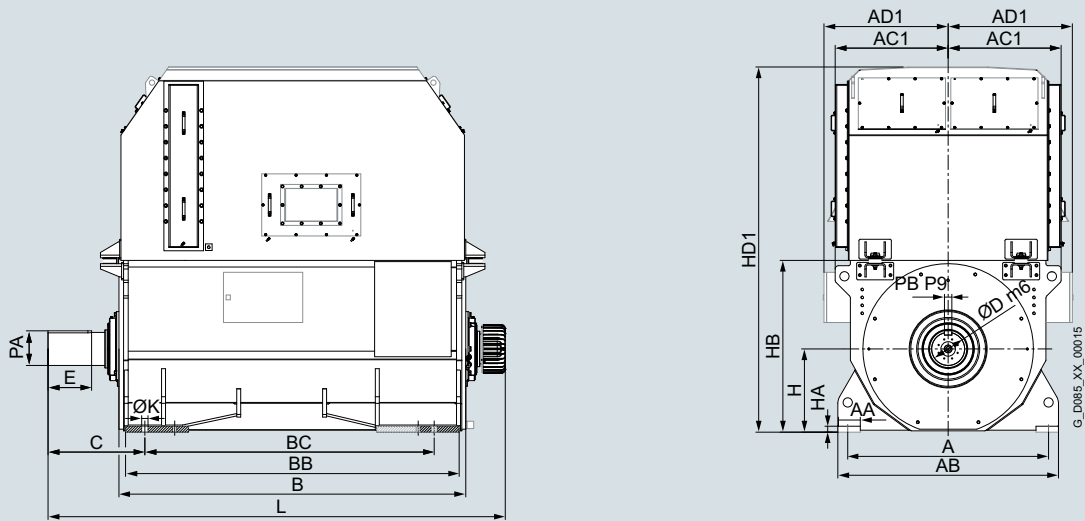
Article No. (repeated)	Dimensions								Weight
	HA	AA	H	HB	HD ₁	AC ₁	AD ₁	Ø K	
	mm	mm	mm	mm	mm	mm	mm	mm	kg

8-pole, 690 V, 60 Hz

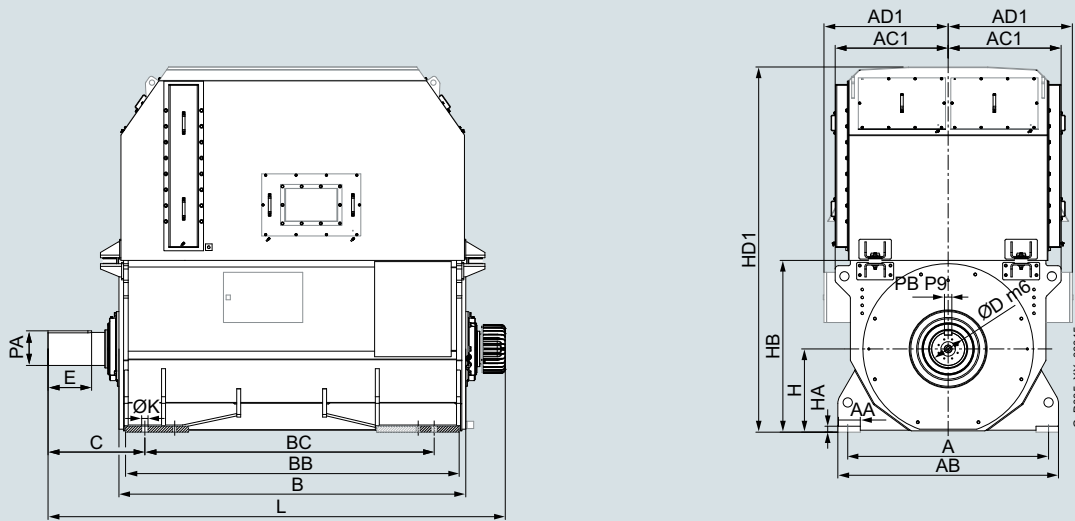
1DK1082-OTD08-0NA1	45	150	560	1170	2323	720	720	48	7696
1DK1082-1AD08-0NA1	45	150	560	1170	2323	720	720	48	8572
1DK1082-1ED08-0NA1	45	150	560	1170	2323	720	720	48	9308
1DK1102-OWD08-0NA1	45	170	630	1300	2470	855	950	48	11292
1DK1102-1AD08-0NA1	45	170	630	1300	2470	855	950	48	11846
1DK1102-1DD08-0NA1	45	170	630	1300	2470	855	950	48	12515
1DK1102-1PD08-0NA1	45	170	630	1300	2470	855	950	48	14241

Technical data

Industrial/Marine applications

IC81W cooling method**Dimensional drawings** (continued)

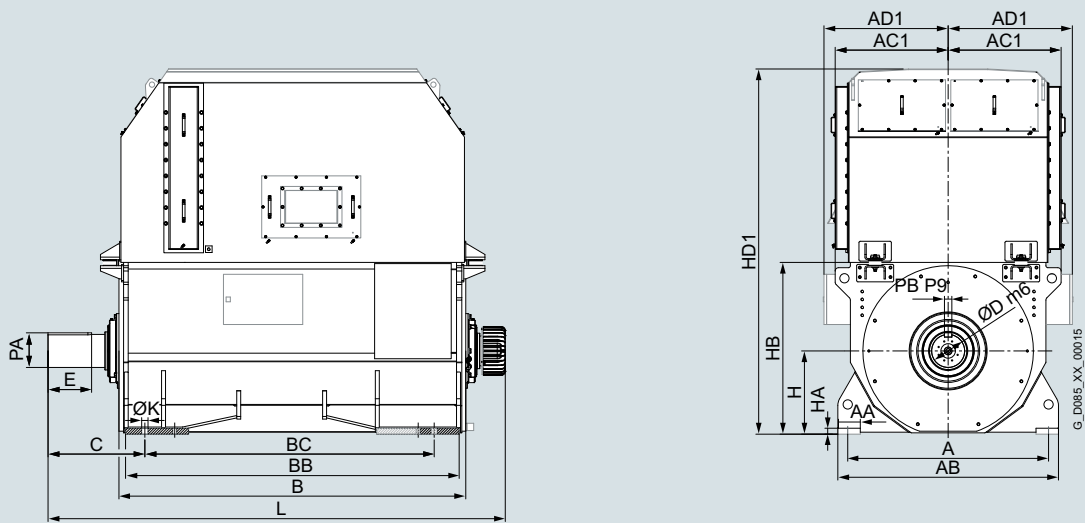
Article No.	Dimensions												
	Ø D mm	E mm	PB mm	PA mm	L mm	B mm	BB mm	BC mm	BD mm	BE mm	C mm	AB mm	A mm
1DK1 (Z ventilation), anti-friction bearing													
10-pole, 690 V, 60 Hz													
1DK1082-0QD10-0NA1	180	240	45	190	2816	1815	1745	1450	–	–	691	1340	1200
1DK1082-0UD10-0NA1	190	280	45	200	2826	1815	1745	1450	–	–	691	1340	1200
1DK1082-0WD10-0NA1	190	280	45	200	3016	2015	1945	1650	–	–	691	1340	1200
1DK1082-1CD10-0NA1	190	280	50	221	3036	2015	1945	1650	–	–	691	1340	1200
1DK1102-0SD10-0NA1	210	280	50	227	3176	2370	2280	1935	–	–	682	1670	1520
1DK1102-0VD10-0NA1	210	280	50	227	3176	2370	2280	1935	–	–	682	1670	1520
1DK1102-0YD10-0NA1	210	280	50	227	3176	2370	2280	1935	–	–	682	1670	1520
1DK1102-1ED10-0NA1	210	280	50	227	3176	2370	2280	1935	–	–	682	1670	1520
1DK1102-1MD10-0NA1	220	280	50	237	3176	2370	2280	1935	–	–	682	1670	1520
Article No. (repeated)	Dimensions								Weight kg				
	HA mm	AA mm	H mm	HB mm	HD ₁ mm	AC ₁ mm	AD ₁ mm	Ø K mm					
10-pole, 690 V, 60 Hz													
1DK1082-0QD10-0NA1	45	150	560	1170	2323	720	720	48	7306				
1DK1082-0UD10-0NA1	45	150	560	1170	2323	720	720	48	7826				
1DK1082-0WD10-0NA1	45	150	560	1170	2323	720	720	48	8342				
1DK1082-1CD10-0NA1	45	150	560	1170	2323	720	720	48	9006				
1DK1102-0SD10-0NA1	45	170	630	1300	2470	855	950	48	10176				
1DK1102-0VD10-0NA1	45	170	630	1300	2270	855	950	48	10580				
1DK1102-0YD10-0NA1	45	170	630	1300	2470	855	950	48	11066				
1DK1102-1ED10-0NA1	45	170	630	1300	2470	855	950	48	12023				
1DK1102-1MD10-0NA1	45	170	630	1300	2470	855	950	48	13100				

Dimensional drawings


Article No.	Dimensions												
	Ø D	E	PB	PA	L	B	BB	BC	BD	BE	C	AB	A
	mm	mm	mm	mm	mm	mm	mm	mm	mm	mm	mm	mm	mm
1DK1 (Z ventilation), anti-friction bearing													
4-pole, 3.3 kV, 50 Hz													
1DK1082-0TE04-0NA1	180	240	45	190	2785	1815	1745	1450	–	–	660	1340	1200
1DK1082-0WE04-0NA1	180	240	45	190	2985	2015	1945	1650	–	–	660	1340	1200
1DK1082-1AE04-0NA1	190	280	45	200	2995	2015	1945	1650	–	–	660	1340	1200
1DK1082-1DE04-0NA1	190	280	45	210	3005	2015	1945	1650	–	–	660	1340	1200
Article No. (repeated)	Dimensions								Weight				
	HA	AA	H	HB	HD ₁	AC ₁	AD ₁	Ø K					
	mm	mm	mm	mm	mm	mm	mm	mm	kg				
4-pole, 3.3 kV, 50 Hz													
1DK1082-0TE04-0NA1	45	150	560	1170	2473	720	720	48	7787				
1DK1082-0WE04-0NA1	45	150	560	1170	2473	720	720	48	8402				
1DK1082-1AE04-0NA1	45	150	560	1170	2473	720	720	48	8845				
1DK1082-1DE04-0NA1	45	150	560	1170	2473	720	720	48	9265				

Technical data

Industrial/Marine applications

IC81W cooling method**Dimensional drawings** (continued)

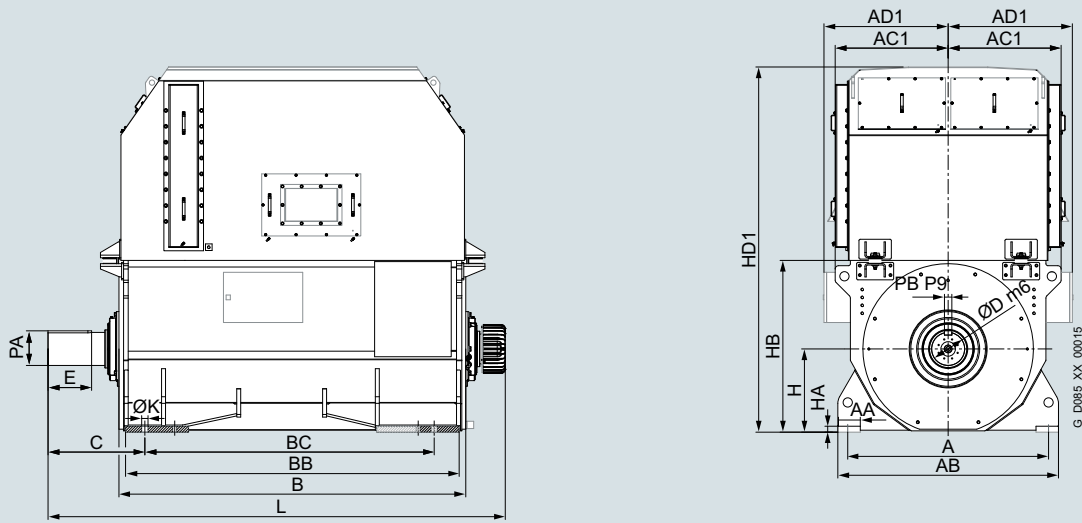
Article No.	Dimensions												
	Ø D	E	PB	PA	L	B	BB	BC	BD	BE	C	AB	A
	mm	mm	mm	mm	mm	mm	mm	mm	mm	mm	mm	mm	mm

1DK1 (Z ventilation), anti-friction bearing

6-pole, 3.3 kV, 50 Hz

1DK1082-0UE06-0NA1	180	240	45	190	2816	1815	1745	1450	-	-	691	1340	1200
1DK1082-1AE06-0NA1	190	280	45	200	2826	1815	1745	1450	-	-	691	1340	1200
1DK1082-1GE06-0NA1	190	280	45	210	3026	2015	1945	1650	-	-	691	1340	1200
1DK1102-0VE06-0NA1	210	280	50	227	3176	2370	2280	1935	-	-	682	1670	1520
1DK1102-0YE06-0NA1	210	280	50	227	3176	2370	2280	1935	-	-	682	1670	1520
1DK1102-1CE06-0NA1	210	280	50	227	3176	2370	2280	1935	-	-	682	1670	1520
1DK1102-1HE06-0NA1	210	280	50	227	3176	2370	2280	1935	-	-	682	1670	1520
1DK1102-1NE06-0NA1	210	280	50	227	3421	2615	2525	2180	-	-	682	1670	1520

Article No. (repeated)	Dimensions								Weight
	HA	AA	H	HB	HD ₁	AC ₁	AD ₁	Ø K	
	mm	mm	mm	mm	mm	mm	mm	mm	kg
6-pole, 3.3 kV, 50 Hz									
1DK1082-0UE06-0NA1	45	150	560	1170	2273	720	720	48	7736
1DK1082-1AE06-0NA1	45	150	560	1170	2273	720	720	48	8400
1DK1082-1GE06-0NA1	45	150	560	1170	2273	720	720	48	9492
1DK1102-0VE06-0NA1	45	170	630	1300	2270	855	950	48	10725
1DK1102-0YE06-0NA1	45	170	630	1300	2470	855	950	48	11334
1DK1102-1CE06-0NA1	45	170	630	1300	2470	855	950	48	11830
1DK1102-1HE06-0NA1	45	170	630	1300	2470	855	950	48	12648
1DK1102-1NE06-0NA1	45	170	630	1300	2470	855	950	48	13872

Dimensional drawings (continued)


Article No.	Dimensions												
	Ø D	E	PB	PA	L	B	BB	BC	BD	BE	C	AB	A
	mm	mm	mm	mm	mm	mm	mm	mm	mm	mm	mm	mm	mm

1DK1 (Z ventilation), anti-friction bearing

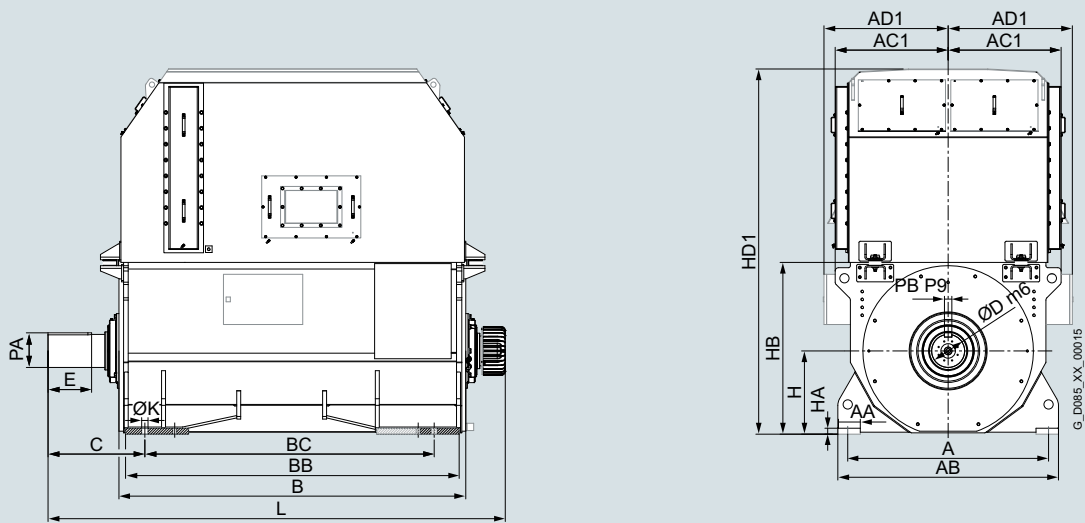
8-pole, 3.3 kV, 50 Hz

1DK1082-0TE08-0NA1	180	240	45	190	2816	1815	1745	1450	–	–	691	1340	1200
1DK1082-1AE08-0NA1	190	280	45	200	2826	1815	1745	1450	–	–	691	1340	1200
1DK1082-1EE08-0NA1	190	280	45	210	3026	2015	1945	1650	–	–	691	1340	1200
1DK1102-0TE08-0NA1	200	280	45	215	3176	2370	2280	1935	–	–	682	1670	1520
1DK1102-0WE08-0NA1	210	280	50	227	3176	2370	2280	1935	–	–	682	1670	1520
1DK1102-1AE08-0NA1	210	280	50	227	3176	2370	2280	1935	–	–	682	1670	1520
1DK1102-1DE08-0NA1	220	280	50	237	3176	2370	2280	1935	–	–	682	1670	1520
1DK1102-1JE08-0NA1	210	280	50	227	3176	2370	2280	1935	–	–	682	1670	1520
1DK1102-1PE08-0NA1	210	280	50	227	3421	2615	2525	2180	–	–	682	1670	1520

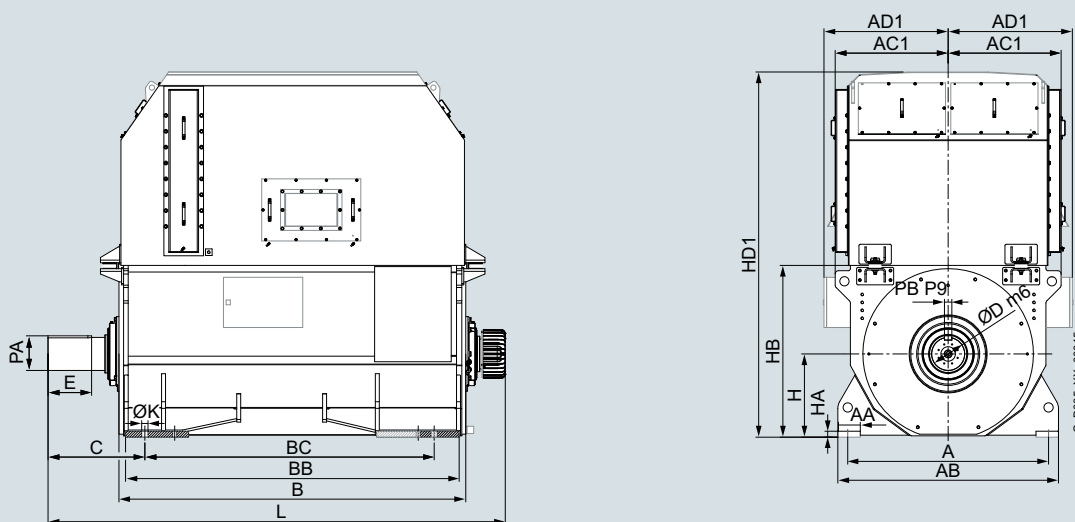
Article No. (repeated)	Dimensions								Weight
	HA	AA	H	HB	HD ₁	AC ₁	AD ₁	Ø K	
	mm	mm	mm	mm	mm	mm	mm	mm	kg
8-pole, 3.3 kV, 50 Hz									
1DK1082-0TE08-0NA1	45	150	560	1170	2323	720	720	48	7601
1DK1082-1AE08-0NA1	45	150	560	1170	2323	720	720	48	8473
1DK1082-1EE08-0NA1	45	150	560	1170	2323	720	720	48	9170
1DK1102-0TE08-0NA1	45	170	630	1300	2270	855	950	48	10281
1DK1102-0WE08-0NA1	45	170	630	1300	2270	855	950	48	10779
1DK1102-1AE08-0NA1	45	170	630	1300	2470	855	950	48	11323
1DK1102-1DE08-0NA1	45	170	630	1300	2470	855	950	48	11975
1DK1102-1JE08-0NA1	45	170	630	1300	2470	855	950	48	12841
1DK1102-1PE08-0NA1	45	170	630	1300	2470	855	950	48	14054

Technical data

Industrial/Marine applications

IC81W cooling method**Dimensional drawings** (continued)

Article No.	Dimensions												
	Ø D mm	E mm	PB mm	PA mm	L mm	B mm	BB mm	BC mm	BD mm	BE mm	C mm	AB mm	A mm
1DK1 (Z ventilation), anti-friction bearing													
10-pole, 3.3 kV, 50 Hz													
1DK1102-0SE10-0NA1	200	280	45	215	3176	2370	2280	1935	–	–	682	1670	1520
1DK1102-0VE10-0NA1	210	280	50	227	3176	2370	2280	1935	–	–	682	1670	1520
1DK1102-0YE10-0NA1	210	280	50	227	3176	2370	2280	1935	–	–	682	1670	1520
1DK1102-1EE10-0NA1	210	280	50	227	3176	2370	2280	1935	–	–	682	1670	1520
1DK1102-1ME10-0NA1	210	280	50	227	3176	2370	2280	1935	–	–	682	1670	1520
1DK1102-1RE10-0NA1	220	280	50	237	3421	2615	2525	2180	–	–	682	1670	1520
Article No. (repeated)	Dimensions									Weight kg			
	HA mm	AA mm	H mm	HB mm	HD ₁ mm	AC ₁ mm	AD ₁ mm	Ø K mm					
10-pole, 3.3 kV, 50 Hz													
1DK1102-0SE10-0NA1	45	170	630	1300	2270	855	950	48	9886				
1DK1102-0VE10-0NA1	45	170	630	1300	2270	855	950	48	10395				
1DK1102-0YE10-0NA1	45	170	630	1300	2270	855	950	48	10884				
1DK1102-1EE10-0NA1	45	170	630	1300	2270	855	950	48	11700				
1DK1102-1ME10-0NA1	45	170	630	1300	2470	855	950	48	12908				
1DK1102-1RE10-0NA1	45	170	630	1300	2470	855	950	48	14016				

Dimensional drawings


Article No.	Dimensions												
	Ø D	E	PB	PA	L	B	BB	BC	BD	BE	C	AB	A
	mm	mm	mm	mm	mm	mm	mm	mm	mm	mm	mm	mm	mm

1DK1 (Z ventilation), anti-friction bearing

4-pole, 4.16 kV, 60 Hz

1DK1082-ORF04-0NA1	180	240	45	190	2785	1815	1745	1450	–	–	660	1340	1200
1DK1082-OTF04-0NA1	180	240	45	190	2785	1815	1745	1450	–	–	660	1340	1200
1DK1082-OWF04-0NA1	180	240	45	190	2985	2015	1945	1650	–	–	660	1340	1200
1DK1082-1AF04-0NA1	190	280	45	200	2995	2015	1945	1650	–	–	660	1340	1200

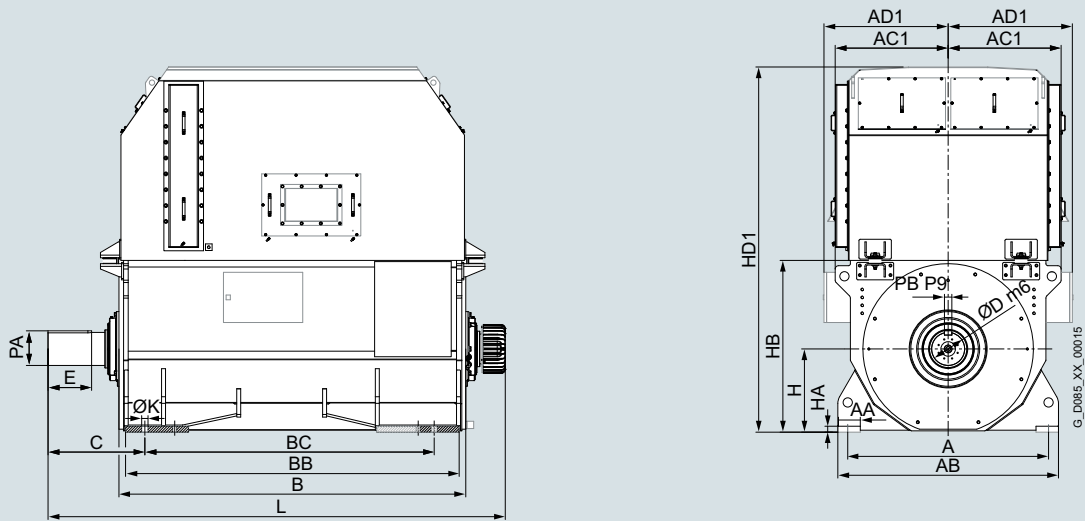
Article No. (repeated)	Dimensions								Weight
	HA	AA	H	HB	HD ₁	AC ₁	AD ₁	Ø K	
	mm	mm	mm	mm	mm	mm	mm	mm	kg

4-pole, 4.16 kV, 60 Hz

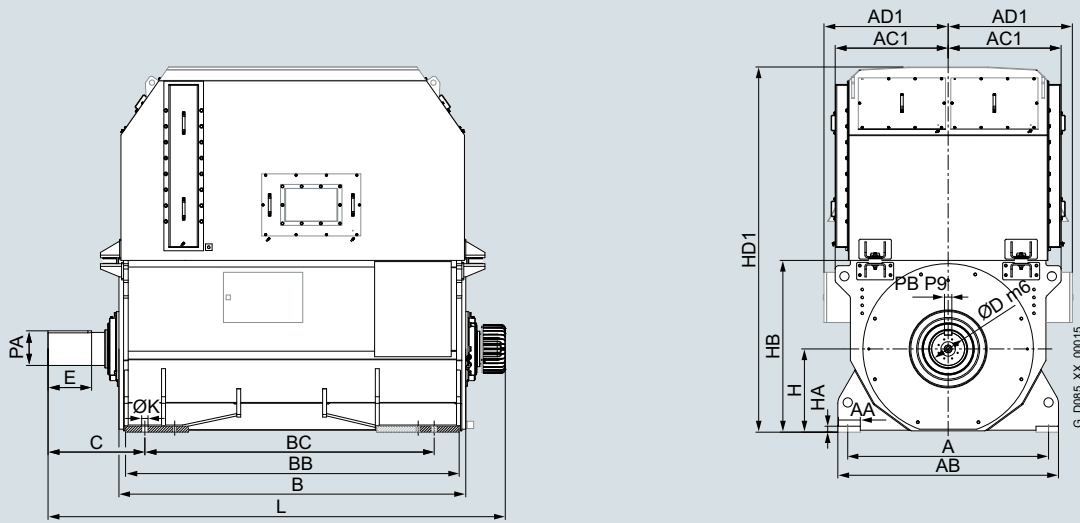
1DK1082-ORF04-0NA1	45	150	560	1170	2473	720	720	48	7484
1DK1082-OTF04-0NA1	45	150	560	1170	2473	720	720	48	7760
1DK1082-OWF04-0NA1	45	150	560	1170	2473	720	720	48	8389
1DK1082-1AF04-0NA1	45	150	560	1170	2473	720	720	48	8829

Technical data

Industrial/Marine applications

IC81W cooling method**Dimensional drawings** (continued)

Article No.	Dimensions												
	Ø D mm	E mm	PB mm	PA mm	L mm	B mm	BB mm	BC mm	BD mm	BE mm	C mm	AB mm	A mm
1DK1 (Z ventilation), anti-friction bearing													
6-pole, 4.16 kV, 60 Hz													
1DK1082-0UF06-0NA1	180	240	45	190	2816	1815	1745	1450	–	–	691	1340	1200
1DK1082-1AF06-0NA1	190	280	45	200	3016	2015	1945	1650	–	–	691	1340	1200
1DK1082-1GF06-0NA1	190	280	45	210	3026	2015	1945	1650	–	–	691	1340	1200
1DK1102-0VF06-0NA1	210	280	50	227	3176	2370	2280	1935	–	–	682	1670	1520
1DK1102-0YF06-0NA1	210	280	50	227	3176	2370	2280	1935	–	–	682	1670	1520
1DK1102-1CF06-0NA1	220	280	50	237	3176	2370	2280	1935	–	–	682	1670	1520
1DK1102-1HF06-0NA1	220	280	50	237	3176	2370	2280	1935	–	–	682	1670	1520
1DK1102-1NF06-0NA1	210	280	50	227	3421	2615	2525	2180	–	–	682	1670	1520
Article No. (repeated)	Dimensions									Weight kg			
	HA mm	AA mm	H mm	HB mm	HD ₁ mm	AC ₁ mm	AD ₁ mm	Ø K mm					
6-pole, 4.16 kV, 60 Hz													
1DK1082-0UF06-0NA1	45	150	560	1170	2273	720	720	48	7732				
1DK1082-1AF06-0NA1	45	150	560	1170	2273	720	720	48	8647				
1DK1082-1GF06-0NA1	45	150	560	1170	2273	720	720	48	9439				
1DK1102-0VF06-0NA1	45	170	630	1300	2470	855	950	48	10866				
1DK1102-0YF06-0NA1	45	170	630	1300	2470	855	950	48	11304				
1DK1102-1CF06-0NA1	45	170	630	1300	2470	855	950	48	11863				
1DK1102-1HF06-0NA1	45	170	630	1300	2470	855	950	48	12622				
1DK1102-1NF06-0NA1	45	170	630	1300	2470	855	950	48	13901				

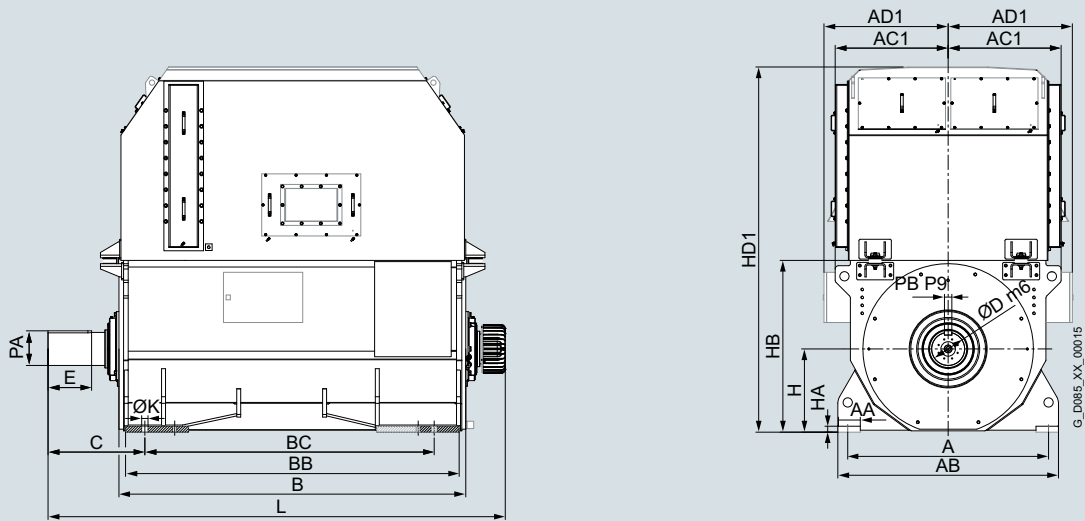
Dimensional drawings (continued)


Article No.	Dimensions												
	Ø D	E	PB	PA	L	B	BB	BC	BD	BE	C	AB	A
	mm	mm	mm	mm	mm	mm	mm	mm	mm	mm	mm	mm	mm
1DK1 (Z ventilation), anti-friction bearing													
8-pole, 4.16 kV, 60 Hz													
1DK1082-0TF08-0NA1	180	240	45	190	2816	1815	1745	1450	–	–	691	1340	1200
1DK1082-1AF08-0NA1	190	280	45	210	3026	2015	1945	1650	–	–	691	1340	1200
1DK1082-1EF08-0NA1	190	280	45	210	3026	2015	1945	1650	–	–	691	1340	1200
1DK1102-0TF08-0NA1	210	280	50	227	3176	2370	2280	1935	–	–	682	1670	1520
1DK1102-0WF08-0NA1	210	280	50	227	3176	2370	2280	1935	–	–	682	1670	1520
1DK1102-1AF08-0NA1	220	280	50	237	3176	2370	2280	1935	–	–	682	1670	1520
1DK1102-1DF08-0NA1	210	280	50	227	3176	2370	2280	1935	–	–	682	1670	1520
1DK1102-1JF08-0NA1	210	280	50	227	3176	2370	2280	1935	–	–	682	1670	1520
1DK1102-1PF08-0NA1	220	280	50	237	3421	2615	2525	2180	–	–	682	1670	1520

Article No. (repeated)	Dimensions								Weight
	HA	AA	H	HB	HD ₁	AC ₁	AD ₁	Ø K	
	mm	mm	mm	mm	mm	mm	mm	mm	kg
8-pole, 4.16 kV, 60 Hz									
1DK1082-0TF08-0NA1	45	150	560	1170	2323	720	720	48	7557
1DK1082-1AF08-0NA1	45	150	560	1170	2323	720	720	48	8601
1DK1082-1EF08-0NA1	45	150	560	1170	2323	720	720	48	9165
1DK1102-0TF08-0NA1	45	170	630	1300	2470	855	950	48	10414
1DK1102-0WF08-0NA1	45	170	630	1300	2470	855	950	48	10932
1DK1102-1AF08-0NA1	45	170	630	1300	2470	855	950	48	11476
1DK1102-1DF08-0NA1	45	170	630	1300	2470	855	950	48	11944
1DK1102-1JF08-0NA1	45	170	630	1300	2470	855	950	48	12824
1DK1102-1PF08-0NA1	45	170	630	1300	2470	855	950	48	14039

Technical data

Industrial/Marine applications

IC81W cooling method**Dimensional drawings** (continued)

Article No.	Dimensions												
	Ø D	E	PB	PA	L	B	BB	BC	BD	BE	C	AB	A
	mm	mm	mm	mm	mm	mm	mm	mm	mm	mm	mm	mm	mm

1DK1 (Z ventilation), anti-friction bearing

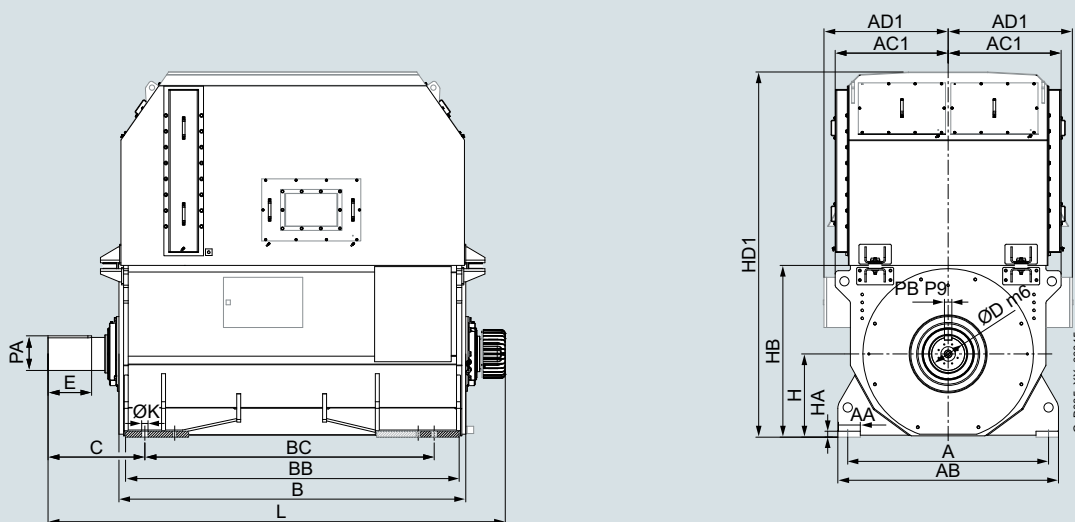
10-pole, 4.16 kV, 60 Hz

1DK1102-OSF10-0NA1	200	280	45	215	3176	2370	2280	1935	–	–	682	1670	1520
1DK1102-0VF10-0NA1	210	280	50	227	3176	2370	2280	1935	–	–	682	1670	1520
1DK1102-0YF10-0NA1	220	280	50	237	3176	2370	2280	1935	–	–	682	1670	1520
1DK1102-1EF10-0NA1	210	280	50	227	3176	2370	2280	1935	–	–	682	1670	1520
1DK1102-1MF10-0NA1	210	280	50	227	3176	2370	2280	1935	–	–	682	1670	1520
1DK1102-1RF10-0NA1	220	280	50	237	3421	2615	2525	2180	–	–	682	1670	1520

Article No. (repeated)	Dimensions								Weight
	HA	AA	H	HB	HD ₁	AC ₁	AD ₁	Ø K	
	mm	mm	mm	mm	mm	mm	mm	mm	kg

10-pole, 4.16 kV, 60 Hz

1DK1102-OSF10-0NA1	45	170	630	1300	2470	855	950	48	9900
1DK1102-0VF10-0NA1	45	170	630	1300	2270	855	950	48	10419
1DK1102-0YF10-0NA1	45	170	630	1300	2470	855	950	48	11041
1DK1102-1EF10-0NA1	45	170	630	1300	2470	855	950	48	11881
1DK1102-1MF10-0NA1	45	170	630	1300	2470	855	950	48	13008
1DK1102-1RF10-0NA1	45	170	630	1300	2470	855	950	48	14030

Dimensional drawings


Article No.	Dimensions												
	Ø D	E	PB	PA	L	B	BB	BC	BD	BE	C	AB	A
	mm	mm	mm	mm	mm	mm	mm	mm	mm	mm	mm	mm	mm

1DK1 (Z ventilation), anti-friction bearing

4-pole, 6.3 kV, 50 Hz

1DK1082-0TH04-0NA1	180	240	45	190	2785	1815	1745	1450	–	–	660	1340	1200
1DK1082-0WH04-0NA1	180	240	45	190	2985	2015	1945	1650	–	–	660	1340	1200
1DK1082-1AH04-0NA1	180	240	45	190	2985	2015	1945	1650	–	–	660	1340	1200
1DK1082-1DH04-0NA1	190	280	45	200	2995	2015	1945	1650	–	–	660	1340	1200

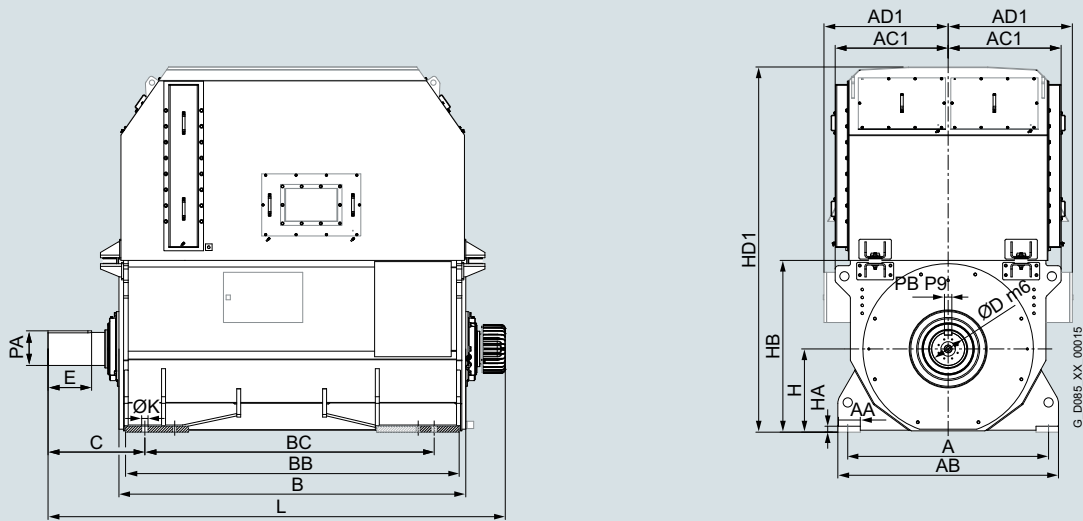
Article No. (repeated)	Dimensions								Weight
	HA	AA	H	HB	HD ₁	AC ₁	AD ₁	Ø K	
	mm	mm	mm	mm	mm	mm	mm	mm	kg

4-pole, 6.3 kV, 50 Hz

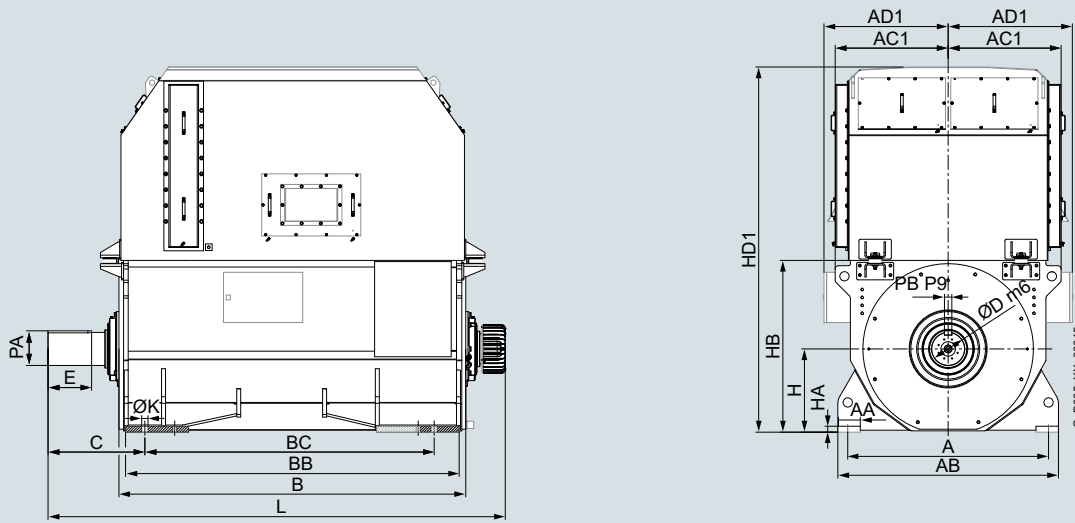
1DK1082-0TH04-0NA1	45	150	560	1170	2473	720	720	48	7734
1DK1082-0WH04-0NA1	45	150	560	1170	2473	720	720	48	8345
1DK1082-1AH04-0NA1	45	150	560	1170	2473	720	720	48	8752
1DK1082-1DH04-0NA1	45	150	560	1170	2473	720	720	48	9180

Technical data

Industrial/Marine applications

IC81W cooling method**Dimensional drawings** (continued)

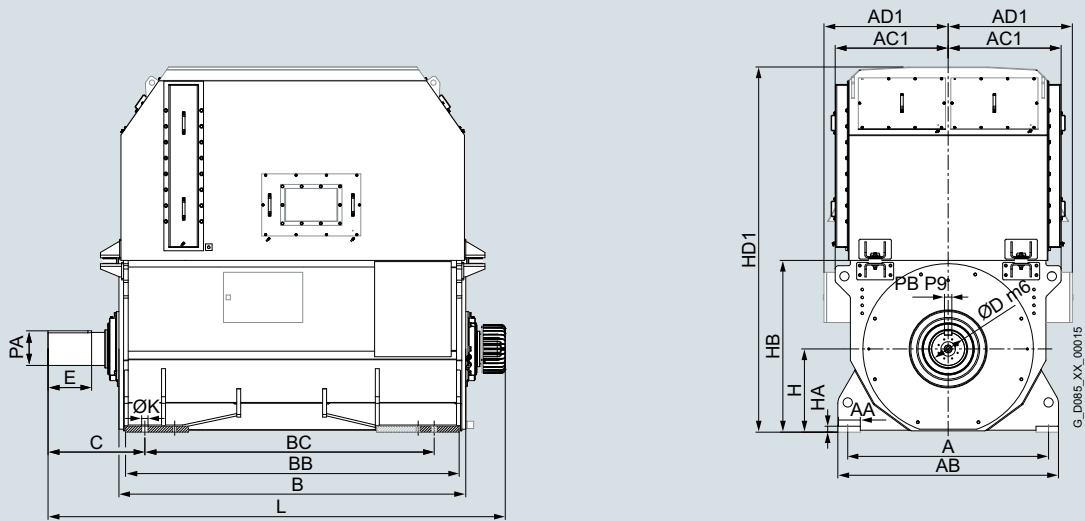
Article No.	Dimensions												
	Ø D mm	E mm	PB mm	PA mm	L mm	B mm	BB mm	BC mm	BD mm	BE mm	C mm	AB mm	A mm
1DK1 (Z ventilation), anti-friction bearing													
6-pole, 6.3 kV, 50 Hz													
1DK1080-0UH06-0NA1	180	240	45	190	2816	1815	1745	1450	–	–	691	1340	1200
1DK1082-1AH06-0NA1	190	280	45	200	3016	2015	1945	1650	–	–	691	1340	1200
1DK1082-1GH06-0NA1	190	280	45	210	3026	2015	1945	1650	–	–	691	1340	1200
1DK1102-0VH06-0NA1	200	280	45	215	3176	2370	2280	1935	–	–	682	1670	1520
1DK1102-0YH06-0NA1	210	280	50	227	3176	2370	2280	1935	–	–	682	1670	1520
1DK1102-1CH06-0NA1	210	280	50	227	3176	2370	2280	1935	–	–	682	1670	1520
1DK1102-1HH06-0NA1	220	280	50	237	3176	2370	2280	1935	–	–	682	1670	1520
1DK1102-1NH06-0NA1	210	280	50	227	3421	2615	2525	2180	–	–	682	1670	1520
Article No. (repeated)	Dimensions									Weight kg			
	HA mm	AA mm	H mm	HB mm	HD ₁ mm	AC ₁ mm	AD ₁ mm	Ø K mm					
6-pole, 6.3 kV, 50 Hz													
1DK1080-0UH06-0NA1	45	150	560	1170	2273	720	720	48	7668				
1DK1082-1AH06-0NA1	45	150	560	1170	2273	720	720	48	8599				
1DK1082-1GH06-0NA1	45	150	560	1170	2273	720	720	48	9382				
1DK1102-0VH06-0NA1	45	170	630	1300	2470	855	950	48	10807				
1DK1102-0YH06-0NA1	45	170	630	1300	2470	855	950	48	11275				
1DK1102-1CH06-0NA1	45	170	630	1300	2470	855	950	48	11758				
1DK1102-1HH06-0NA1	45	170	630	1300	2470	855	950	48	12590				
1DK1102-1NH06-0NA1	45	170	630	1300	2470	855	950	48	13833				

Dimensional drawings (continued)


Article No.	Dimensions												
	Ø D	E	PB	PA	L	B	BB	BC	BD	BE	C	AB	A
	mm	mm	mm	mm	mm	mm	mm	mm	mm	mm	mm	mm	mm
1DK1 (Z ventilation), anti-friction bearing													
8-pole, 6.3 kV, 50 Hz													
1DK1082-0TH08-0NA1	180	240	45	190	2816	1815	1745	1450	–	–	691	1340	1200
1DK1082-1AH08-0NA1	190	280	45	200	2826	1815	1745	1450	–	–	691	1340	1200
1DK1082-1EH08-0NA1	190	280	45	210	3026	2015	1945	1650	–	–	691	1340	1200
1DK1102-0TH08-0NA1	210	280	50	227	3176	2370	2280	1935	–	–	682	1670	1520
1DK1102-0WH08-0NA1	210	280	50	227	3176	2370	2280	1935	–	–	682	1670	1520
1DK1102-1AH08-0NA1	210	280	50	227	3176	2370	2280	1935	–	–	682	1670	1520
1DK1102-1DH08-0NA1	220	280	50	237	3176	2370	2280	1935	–	–	682	1670	1520
1DK1102-1JH08-0NA1	210	280	50	227	3176	2370	2280	1935	–	–	682	1670	1520
1DK1102-1PH08-0NA1	210	280	50	227	3421	2615	2525	2180	–	–	682	1670	1520
Article No. (repeated)	Dimensions								Weight				
	HA	AA	H	HB	HD ₁	AC ₁	AD ₁	Ø K		kg			
	mm	mm	mm	mm	mm	mm	mm	mm					
8-pole, 6.3 kV, 50 Hz													
1DK1082-0TH08-0NA1	45	150	560	1170	2323	720	720	48	7588				
1DK1082-1AH08-0NA1	45	150	560	1170	2323	720	720	48	8421				
1DK1082-1EH08-0NA1	45	150	560	1170	2323	720	720	48	9184				
1DK1102-0TH08-0NA1	45	170	630	1300	2270	855	950	48	10230				
1DK1102-0WH08-0NA1	45	170	630	1300	2270	855	950	48	10738				
1DK1102-1AH08-0NA1	45	170	630	1300	2470	855	950	48	11279				
1DK1102-1DH08-0NA1	45	170	630	1300	2470	855	950	48	11864				
1DK1102-1JH08-0NA1	45	170	630	1300	2470	855	950	48	12754				
1DK1102-1PH08-0NA1	45	170	630	1300	2470	855	950	48	13975				

Technical data

Industrial/Marine applications

IC81W cooling method**Dimensional drawings** (continued)

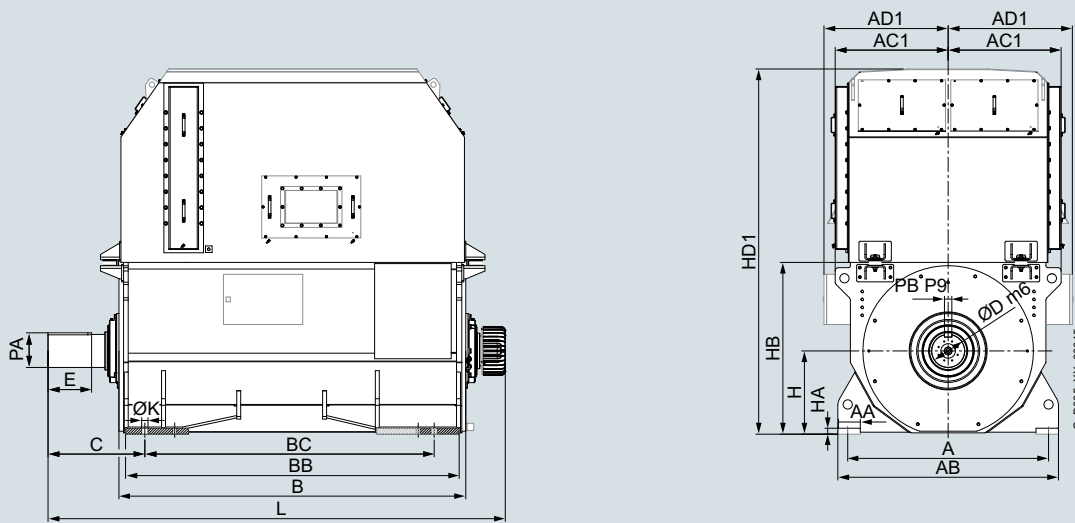
Article No.	Dimensions												
	Ø D	E	PB	PA	L	B	BB	BC	BD	BE	C	AB	A
	mm	mm	mm	mm	mm	mm	mm	mm	mm	mm	mm	mm	mm

1DK1 (Z ventilation), anti-friction bearing

10-pole, 6.3 kV, 50 Hz

1DK1102-OSH10-0NA1	200	280	45	215	3176	2370	2280	1935	–	–	682	1670	1520
1DK1102-0VH10-0NA1	210	280	50	227	3176	2370	2280	1935	–	–	682	1670	1520
1DK1102-0YH10-0NA1	210	280	50	227	3176	2370	2280	1935	–	–	682	1670	1520
1DK1102-1EH10-0NA1	220	280	50	237	3176	2370	2280	1935	–	–	682	1670	1520
1DK1102-1MH10-0NA1	210	280	50	227	3176	2370	2280	1935	–	–	682	1670	1520
1DK1102-1RH10-0NA1	210	280	50	227	3421	2615	2525	2180	–	–	682	1670	1520

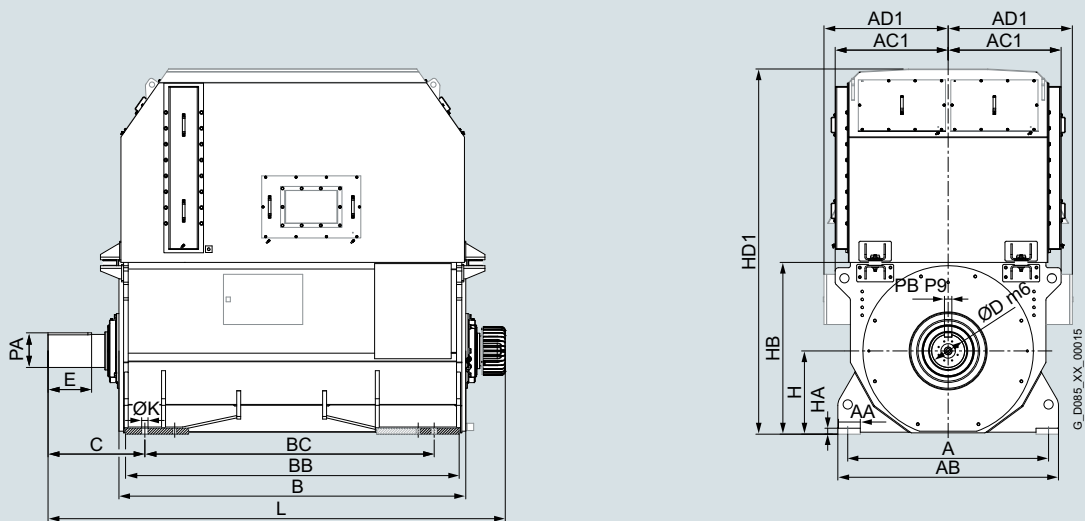
Article No. (repeated)	Dimensions								Weight
	HA	AA	H	HB	HD ₁	AC ₁	AD ₁	Ø K	
	mm	mm	mm	mm	mm	mm	mm	mm	kg
10-pole, 6.3 kV, 50 Hz									
1DK1102-OSH10-0NA1	45	170	630	1300	2270	855	950	48	9861
1DK1102-0VH10-0NA1	45	170	630	1300	2270	855	950	48	10360
1DK1102-0YH10-0NA1	45	170	630	1300	2270	855	950	48	10834
1DK1102-1EH10-0NA1	45	170	630	1300	2270	855	950	48	11610
1DK1102-1MH10-0NA1	45	170	630	1300	2470	855	950	48	12901
1DK1102-1RH10-0NA1	45	170	630	1300	2470	855	950	48	13877

Dimensional drawings


Article No.	Dimensions												
	Ø D	E	PB	PA	L	B	BB	BC	BD	BE	C	AB	A
	mm	mm	mm	mm	mm	mm	mm	mm	mm	mm	mm	mm	mm
1DK1 (Z ventilation), anti-friction bearing													
4-pole, 6.6 kV, 60 Hz													
1DK1082-ORK04-0NA1	180	240	45	190	2785	1815	1745	1450	–	–	660	1340	1200
1DK1082-OTK04-0NA1	180	240	45	190	2785	1815	1745	1450	–	–	660	1340	1200
1DK1082-OWK04-0NA1	180	240	45	190	2985	2015	1945	1650	–	–	660	1340	1200
1DK1082-1AK04-0NA1	190	280	45	200	2995	2015	1945	1650	–	–	660	1340	1200
Article No. (repeated)	Dimensions								Weight				
	HA	AA	H	HB	HD ₁	AC ₁	AD ₁	Ø K					
	mm	mm	mm	mm	mm	mm	mm	mm	kg				
4-pole, 6.6 kV, 60 Hz													
1DK1082-ORK04-0NA1	45	150	560	1170	2473	720	720	48	7465				
1DK1082-OTK04-0NA1	45	150	560	1170	2473	720	720	48	7761				
1DK1082-OWK04-0NA1	45	150	560	1170	2473	720	720	48	8359				
1DK1082-1AK04-0NA1	45	150	560	1170	2473	720	720	48	8790				

Technical data

Industrial/Marine applications

IC81W cooling method**Dimensional drawings** (continued)

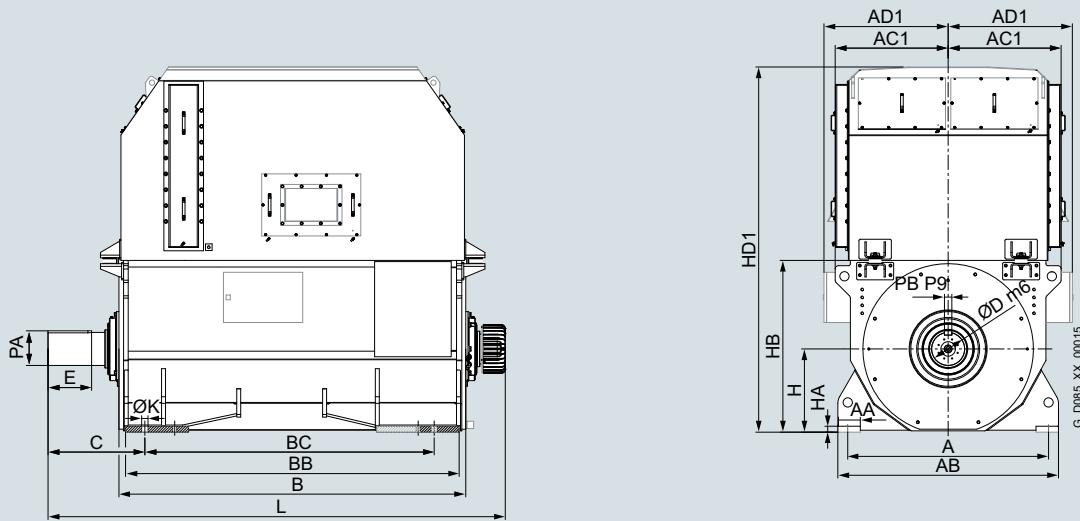
Article No.	Dimensions												
	Ø D	E	PB	PA	L	B	BB	BC	BD	BE	C	AB	A
	mm	mm	mm	mm	mm	mm	mm	mm	mm	mm	mm	mm	mm

1DK1 (Z ventilation), anti-friction bearing

6-pole, 6.6 kV, 60 Hz

1DK1080-0UK06-0NA1	180	240	45	190	2816	1815	1745	1450	–	–	691	1340	1200
1DK1082-1AK06-0NA1	190	280	45	200	3016	2015	1945	1650	–	–	691	1340	1200
1DK1082-1GK06-0NA1	190	280	45	200	3016	2015	1945	1650	–	–	691	1340	1200
1DK1102-0VK06-0NA1	200	280	45	215	3176	2370	2280	1935	–	–	682	1670	1520
1DK1102-0YK06-0NA1	210	280	50	227	3176	2370	2280	1935	–	–	682	1670	1520
1DK1102-1CK06-0NA1	220	280	50	237	3176	2370	2280	1935	–	–	682	1670	1520
1DK1102-1HK06-0NA1	210	280	50	227	3176	2370	2280	1935	–	–	682	1670	1520
1DK1102-1NK06-0NA1	210	280	50	227	3421	2615	2525	2180	–	–	682	1670	1520

Article No. (repeated)	Dimensions								Weight
	HA	AA	H	HB	HD ₁	AC ₁	AD ₁	Ø K	
	mm	mm	mm	mm	mm	mm	mm	mm	kg
6-pole, 6.6 kV, 60 Hz									
1DK1080-0UK06-0NA1	45	150	560	1170	2273	720	720	48	7751
1DK1082-1AK06-0NA1	45	150	560	1170	2273	720	720	48	8560
1DK1082-1GK06-0NA1	45	150	560	1170	2273	720	720	48	9361
1DK1102-0VK06-0NA1	45	170	630	1300	2470	855	950	48	10777
1DK1102-0YK06-0NA1	45	170	630	1300	2470	855	950	48	11260
1DK1102-1CK06-0NA1	45	170	630	1300	2470	855	950	48	11773
1DK1102-1HK06-0NA1	45	170	630	1300	2470	855	950	48	12596
1DK1102-1NK06-0NA1	45	170	630	1300	2470	855	950	48	13841

Dimensional drawings (continued)


Article No.	Dimensions												
	Ø D	E	PB	PA	L	B	BB	BC	BD	BE	C	AB	A
	mm	mm	mm	mm	mm	mm	mm	mm	mm	mm	mm	mm	mm

1DK1 (Z ventilation), anti-friction bearing

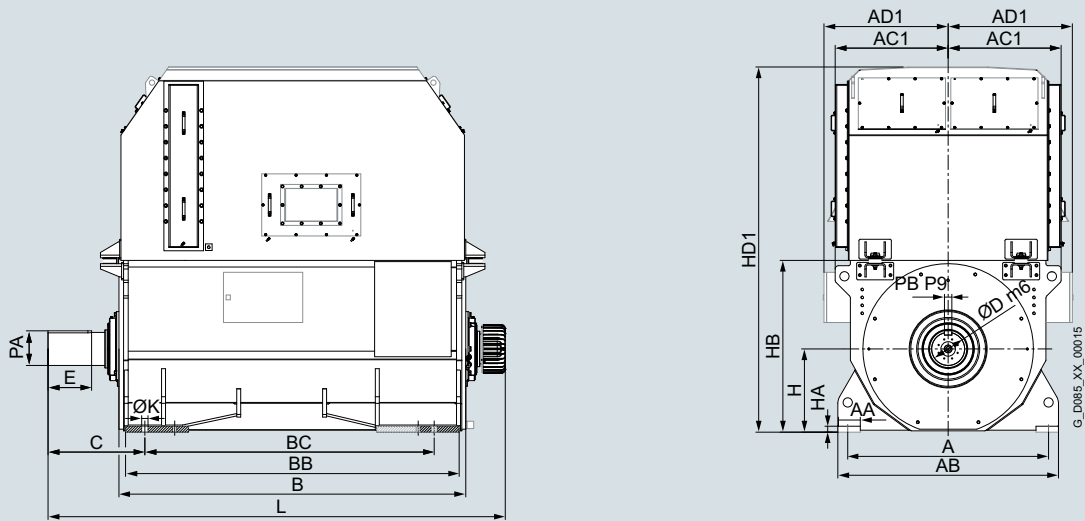
8-pole, 6.6 kV, 60 Hz

1DK1082-OTK08-0NA1	180	240	45	190	2816	1815	1745	1450	-	-	691	1340	1200
1DK1082-1AK08-0NA1	190	280	45	200	2826	1815	1745	1450	-	-	691	1340	1200
1DK1082-1EK08-0NA1	190	280	45	210	3026	2015	1945	1650	-	-	691	1340	1200
1DK1102-OTK08-0NA1	210	280	50	227	3176	2370	2280	1935	-	-	682	1670	1520
1DK1102-0WK08-0NA1	210	280	50	227	3176	2370	2280	1935	-	-	682	1670	1520
1DK1102-1AK08-0NA1	220	280	50	237	3176	2370	2280	1935	-	-	682	1670	1520
1DK1102-1DK08-0NA1	220	280	50	237	3176	2370	2280	1935	-	-	682	1670	1520
1DK1102-1JK08-0NA1	210	280	50	227	3176	2370	2280	1935	-	-	682	1670	1520
1DK1102-1PK08-0NA1	220	280	50	237	3421	2615	2525	2180	-	-	682	1670	1520

Article No. (repeated)	Dimensions								Weight
	HA	AA	H	HB	HD ₁	AC ₁	AD ₁	Ø K	
	mm	mm	mm	mm	mm	mm	mm	mm	kg
8-pole, 6.6 kV, 60 Hz									
1DK1082-OTK08-0NA1	45	150	560	1170	2323	720	720	48	7594
1DK1082-1AK08-0NA1	45	150	560	1170	2323	720	720	48	8434
1DK1082-1EK08-0NA1	45	150	560	1170	2323	720	720	48	9138
1DK1102-OTK08-0NA1	45	170	630	1300	2470	855	950	48	10379
1DK1102-0WK08-0NA1	45	170	630	1300	2470	855	950	48	10886
1DK1102-1AK08-0NA1	45	170	630	1300	2470	855	950	48	11366
1DK1102-1DK08-0NA1	45	170	630	1300	2470	855	950	48	11880
1DK1102-1JK08-0NA1	45	170	630	1300	2470	855	950	48	12775
1DK1102-1PK08-0NA1	45	170	630	1300	2470	855	950	48	13987

Technical data

Industrial/Marine applications

IC81W cooling method**Dimensional drawings** (continued)

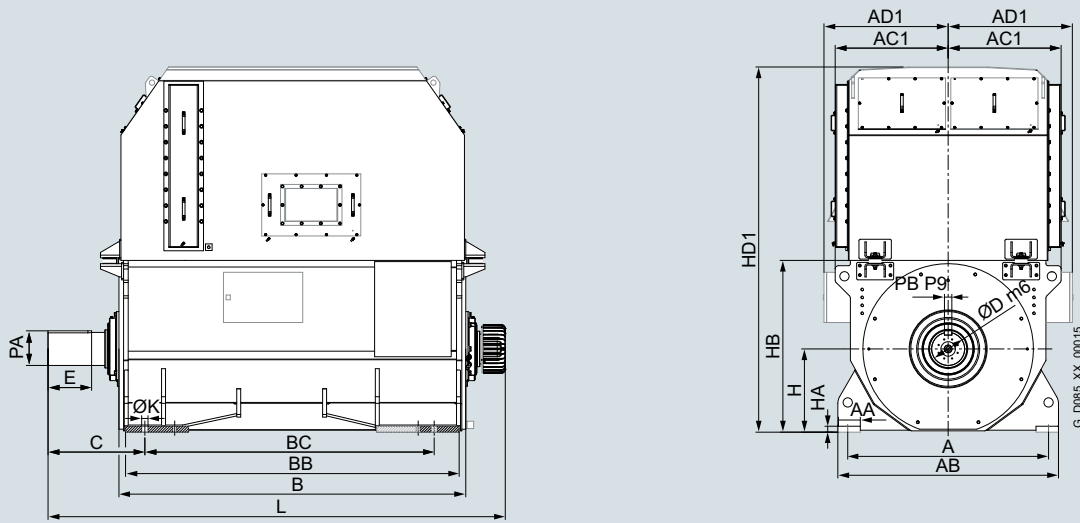
Article No.	Dimensions												
	Ø D	E	PB	PA	L	B	BB	BC	BD	BE	C	AB	A
	mm	mm	mm	mm	mm	mm	mm	mm	mm	mm	mm	mm	mm

1DK1 (Z ventilation), anti-friction bearing

10-pole, 6.6 kV, 60 Hz

1DK1102-OSK10-0NA1	200	280	45	215	3176	2370	2280	1935	–	–	682	1670	1520
1DK1102-0VK10-0NA1	210	280	50	227	3176	2370	2280	1935	–	–	682	1670	1520
1DK1102-0YK10-0NA1	210	280	50	227	3176	2370	2280	1935	–	–	682	1670	1520
1DK1102-1EK10-0NA1	220	280	50	237	3176	2370	2280	1935	–	–	682	1670	1520
1DK1102-1MK10-0NA1	210	280	50	227	3176	2370	2280	1935	–	–	682	1670	1520
1DK1102-1RK10-0NA1	210	280	50	227	3421	2615	2525	2180	–	–	682	1670	1520

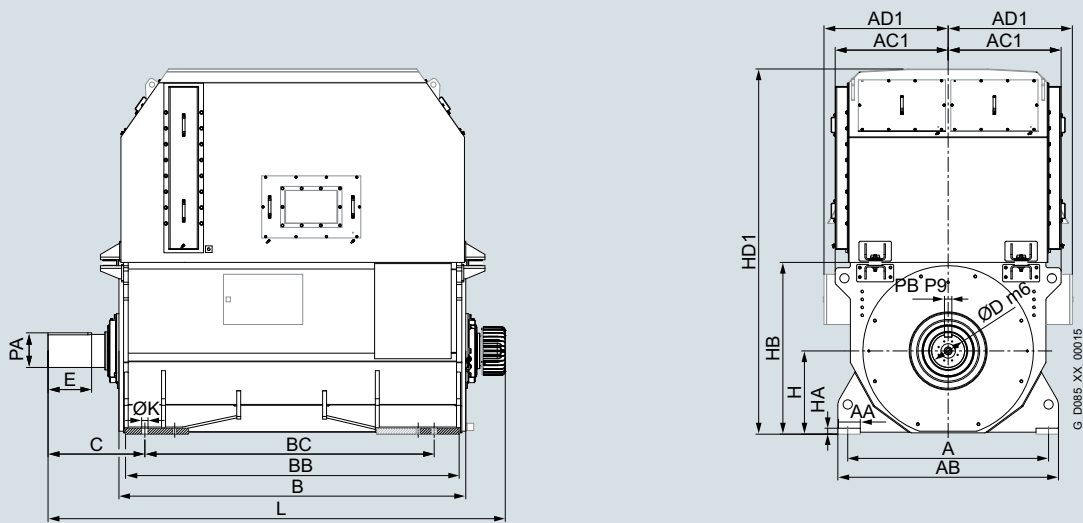
Article No. (repeated)	Dimensions								Weight
	HA	AA	H	HB	HD ₁	AC ₁	AD ₁	Ø K	
	mm	mm	mm	mm	mm	mm	mm	mm	kg
10-pole, 6.6 kV, 60 Hz									
1DK1102-OSK10-0NA1	45	170	630	1300	2270	855	950	48	9899
1DK1102-0VK10-0NA1	45	170	630	1300	2270	855	950	48	10400
1DK1102-0YK10-0NA1	45	170	630	1300	2270	855	950	48	10875
1DK1102-1EK10-0NA1	45	170	630	1300	2470	855	950	48	11748
1DK1102-1MK10-0NA1	45	170	630	1300	2470	855	950	48	12894
1DK1102-1RK10-0NA1	45	170	630	1300	2470	855	950	48	13961

Dimensional drawings


Article No.	Dimensions												
	Ø D	E	PB	PA	L	B	BB	BC	BD	BE	C	AB	A
	mm	mm	mm	mm	mm	mm	mm	mm	mm	mm	mm	mm	mm
1DK1 (Z ventilation), anti-friction bearing													
4-pole, 11 kV, 50 Hz													
1DK1082-0TN04-0NA1	190	280	45	200	2742	1810	1745	1450	–	–	603	1340	1200
1DK1082-0WN04-0NA1	190	280	45	200	2942	2010	1945	1650	–	–	603	1340	1200
1DK1082-1AN04-0NA1	190	280	45	200	2942	2010	1945	1650	–	–	603	1340	1200
1DK1082-1DN04-0NA1	190	280	45	200	2942	2010	1945	1650	–	–	603	1340	1200
Article No. (repeated)	Dimensions								Weight				
	HA	AA	H	HB	HD ₁	AC ₁	AD ₁	Ø K					
	mm	mm	mm	mm	mm	mm	mm	mm	kg				
4-pole, 11 kV, 50 Hz													
1DK1082-0TN04-0NA1	45	150	560	1160	2194	720	720	48	7283				
1DK1082-0WN04-0NA1	45	150	560	1160	2194	720	720	48	7858				
1DK1082-1AN04-0NA1	45	150	560	1160	2194	720	720	48	8292				
1DK1082-1DN04-0NA1	45	150	560	1160	2194	720	720	48	8689				

Technical data

Industrial/Marine applications

IC81W cooling method**Dimensional drawings** (continued)

Article No.	Dimensions												
	Ø D	E	PB	PA	L	B	BB	BC	BD	BE	C	AB	A
	mm	mm	mm	mm	mm	mm	mm	mm	mm	mm	mm	mm	mm

1DK1 (Z ventilation), anti-friction bearing

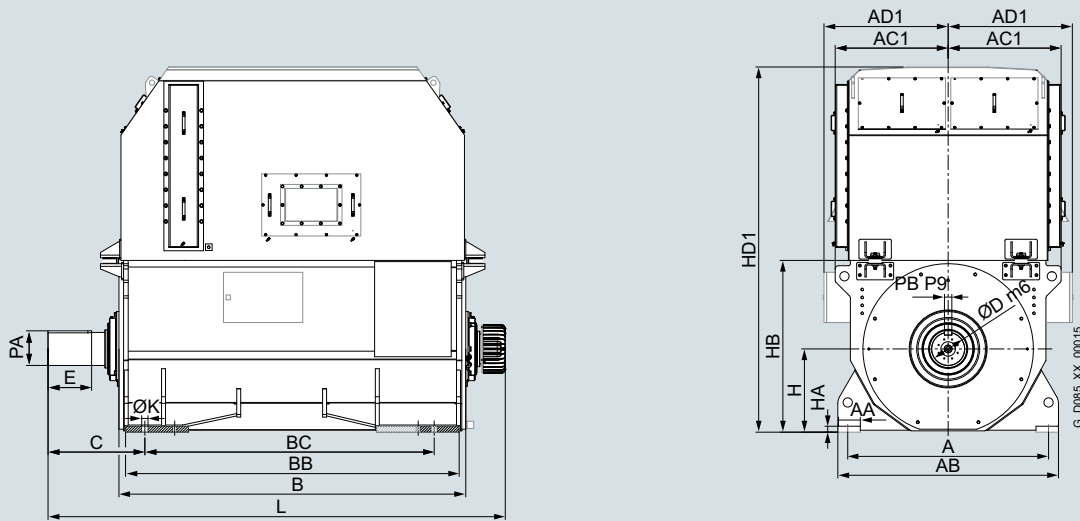
6-pole, 11 kV, 50 Hz

1DK1082-0UN06-0NA1	190	280	45	200	2758	1810	1745	1450	–	–	619	1340	1200
1DK1082-1AN06-0NA1	190	280	45	200	2958	2010	1945	1650	–	–	619	1340	1200
1DK1102-0VN06-0NA1	190	280	45	205	3176	2370	2280	1935	–	–	682	1670	1520
1DK1102-0YN06-0NA1	210	280	50	227	3176	2370	2280	1935	–	–	682	1670	1520
1DK1102-1CN06-0NA1	210	280	50	227	3176	2370	2280	1935	–	–	682	1670	1520
1DK1102-1HN06-0NA1	210	280	50	227	3176	2370	2280	1935	–	–	682	1670	1520
1DK1102-1NN06-0NA1	220	280	50	237	3421	2615	2525	2180	–	–	682	1670	1520

Article No. (repeated)	Dimensions								Weight
	HA	AA	H	HB	HD ₁	AC ₁	AD ₁	Ø K	
	mm	mm	mm	mm	mm	mm	mm	mm	kg

6-pole, 11 kV, 50 Hz

1DK1082-0UN06-0NA1	45	150	560	1160	2194	720	720	48	7299
1DK1082-1AN06-0NA1	45	150	560	1160	2194	720	720	48	8165
1DK1102-0VN06-0NA1	45	170	630	1300	2270	855	950	48	10571
1DK1102-0YN06-0NA1	45	170	630	1300	2470	855	950	48	11188
1DK1102-1CN06-0NA1	45	170	630	1300	2470	855	950	48	11654
1DK1102-1HN06-0NA1	45	170	630	1300	2470	855	950	48	12453
1DK1102-1NN06-0NA1	45	170	630	1300	2470	855	950	48	13681

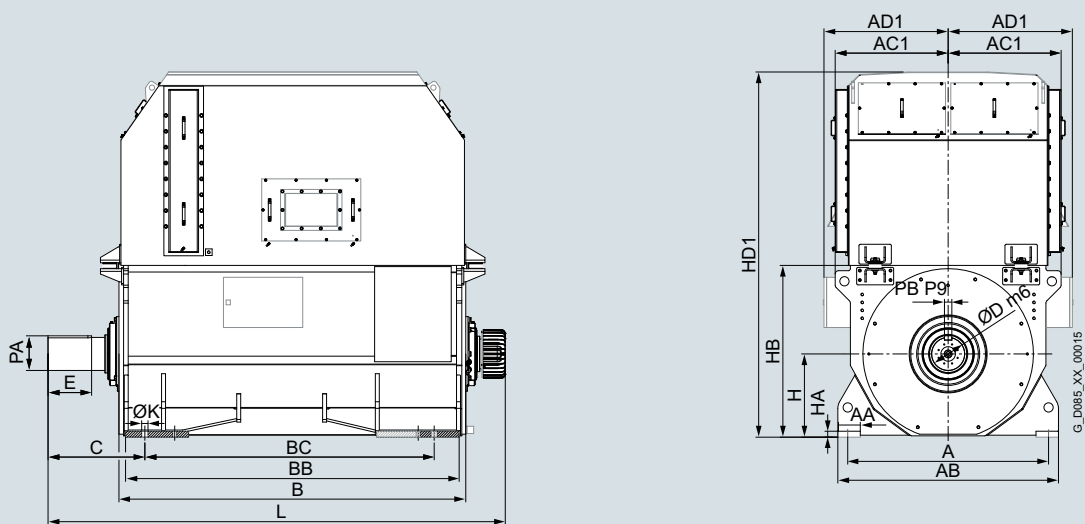
Dimensional drawings (continued)


Article No.	Dimensions												
	Ø D	E	PB	PA	L	B	BB	BC	BD	BE	C	AB	A
	mm	mm	mm	mm	mm	mm	mm	mm	mm	mm	mm	mm	mm
1DK1 (Z ventilation), anti-friction bearing													
8-pole, 11 kV, 50 Hz													
1DK1082-0TN08-0NA1	190	280	45	200	2758	1810	1745	1450	–	–	619	1340	1200
1DK1082-1AN08-0NA1	190	280	45	200	2958	2010	1945	1650	–	–	619	1340	1200
1DK1082-1EN08-0NA1	190	280	45	200	2958	2010	1945	1650	–	–	619	1340	1200
1DK1102-0TN08-0NA1	190	280	45	205	3176	2370	2280	1935	–	–	682	1670	1520
1DK1102-0WN08-0NA1	200	280	45	215	3176	2370	2280	1935	–	–	682	1670	1520
1DK1102-1AN08-0NA1	210	280	50	227	3176	2370	2280	1935	–	–	682	1670	1520
1DK1102-1DN08-0NA1	210	280	50	227	3176	2370	2280	1935	–	–	682	1670	1520
1DK1102-1JN08-0NA1	220	280	50	237	3176	2370	2280	1935	–	–	682	1670	1520
1DK1102-1PN08-0NA1	210	280	50	227	3421	2615	2525	2180	–	–	682	1670	1520

Article No. (repeated)	Dimensions								Weight
	HA	AA	H	HB	HD ₁	AC ₁	AD ₁	Ø K	
	mm	mm	mm	mm	mm	mm	mm	mm	kg
8-pole, 11 kV, 50 Hz									
1DK1082-0TN08-0NA1	45	150	560	1160	2194	720	720	48	7172
1DK1082-1AN08-0NA1	45	150	560	1160	2194	720	720	48	8191
1DK1082-1EN08-0NA1	45	150	560	1160	2194	720	720	48	8750
1DK1102-0TN08-0NA1	45	170	630	1300	2270	855	950	48	10103
1DK1102-0WN08-0NA1	45	170	630	1300	2270	855	950	48	10594
1DK1102-1AN08-0NA1	45	170	630	1300	2470	855	950	48	11088
1DK1102-1DN08-0NA1	45	170	630	1300	2270	855	950	48	11574
1DK1102-1JN08-0NA1	45	170	630	1300	2270	855	950	48	12452
1DK1102-1PN08-0NA1	45	170	630	1300	2470	855	950	48	13791

Technical data

Industrial/Marine applications

IC81W cooling method**Dimensional drawings**

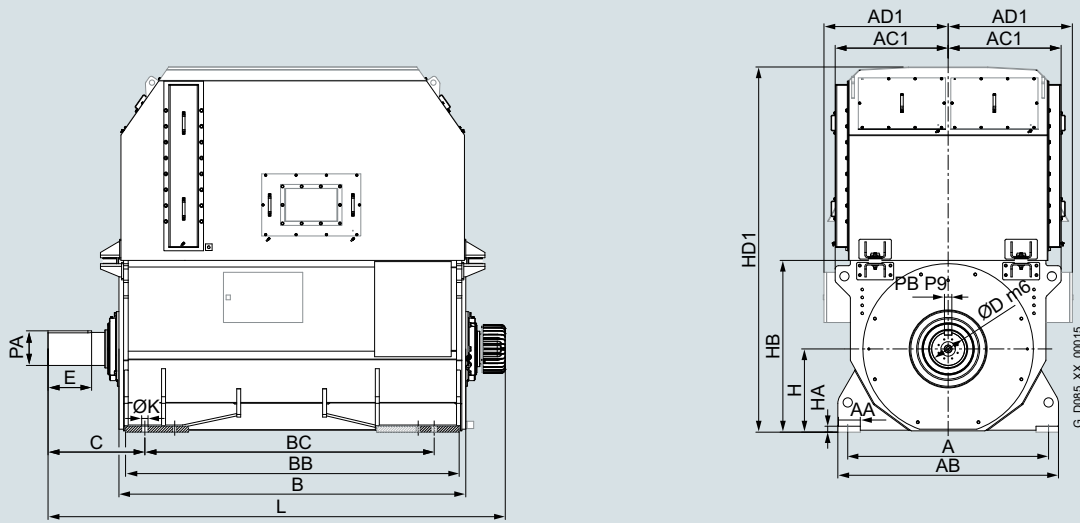
Article No.	Dimensions												
	Ø D	E	PB	PA	L	B	BB	BC	BD	BE	C	AB	A
	mm	mm	mm	mm	mm	mm	mm	mm	mm	mm	mm	mm	mm

1DK1 (Z ventilation), anti-friction bearing

6-pole, 13.8 kV, 50 Hz

1DK1102-0VR06-0NA1	190	280	45	205	3176	2370	2280	1935	–	–	682	1670	1520
1DK1102-0YR06-0NA1	200	280	45	215	3176	2370	2280	1935	–	–	682	1670	1520
1DK1102-1CR06-0NA1	210	280	50	227	3176	2370	2280	1935	–	–	682	1670	1520
1DK1102-1HR06-0NA1	210	280	50	227	3176	2370	2280	1935	–	–	682	1670	1520
1DK1102-1NR06-0NA1	220	280	50	237	3421	2615	2525	2180	–	–	682	1670	1520

Article No. (repeated)	Dimensions									Weight
	HA	AA	H	HB	HD ₁	AC ₁	AD ₁	Ø K	kg	
	mm	mm	mm	mm	mm	mm	mm	mm		
6-pole, 13.8 kV, 50 Hz										
1DK1102-0VR06-0NA1	45	170	630	1300	2470	855	950	48	10673	
1DK1102-0YR06-0NA1	45	170	630	1300	2470	855	950	48	11145	
1DK1102-1CR06-0NA1	45	170	630	1300	2470	855	950	48	11654	
1DK1102-1HR06-0NA1	45	170	630	1300	2470	855	950	48	12393	
1DK1102-1NR06-0NA1	45	170	630	1300	2470	855	950	48	13668	

Dimensional drawings (continued)


Article No.	Dimensions												
	$\varnothing D$ mm	E mm	PB mm	PA mm	L mm	B mm	BB mm	BC mm	BD mm	BE mm	C mm	AB mm	A mm

1DK1 (Z ventilation), anti-friction bearing

8-pole, 13.8 kV, 50 Hz

1DK1102-OTR08-0NA1	190	280	45	205	3176	2370	2280	1935	–	–	682	1670	1520
1DK1102-0WR08-0NA1	190	280	45	205	3176	2370	2280	1935	–	–	682	1670	1520
1DK1102-1AR08-0NA1	200	280	45	215	3176	2370	2280	1935	–	–	682	1670	1520
1DK1102-1DR08-0NA1	210	280	50	227	3176	2370	2280	1935	–	–	682	1670	1520
1DK1102-1JR08-0NA1	210	280	50	227	3176	2370	2280	1935	–	–	682	1670	1520
1DK1102-1PR08-0NA1	220	280	50	237	3421	2615	2525	2180	–	–	682	1670	1520

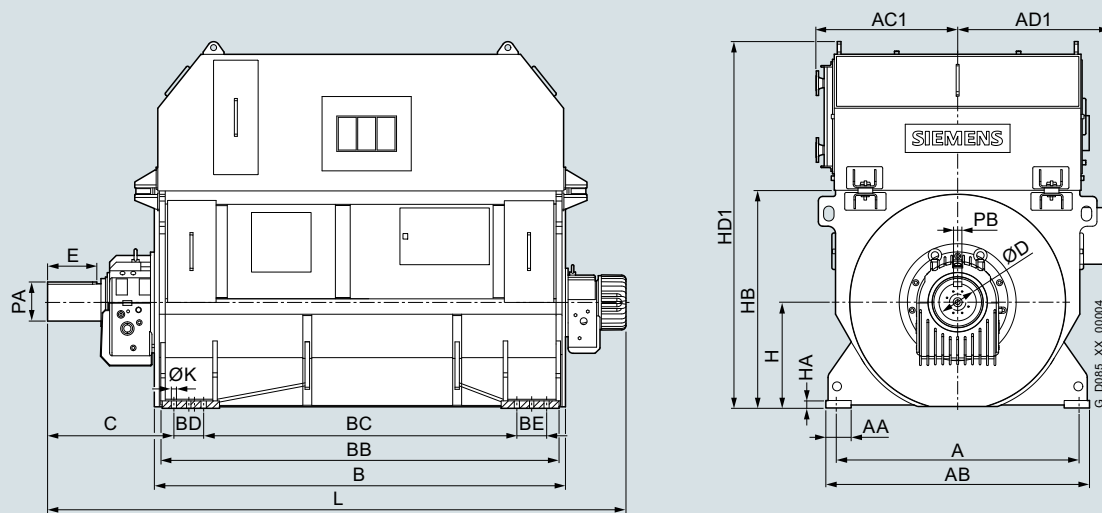
Article No. (repeated)	Dimensions								Weight kg
	HA mm	AA mm	H mm	HB mm	HD ₁ mm	AC ₁ mm	AD ₁ mm	$\varnothing K$ mm	

8-pole, 13.8 kV, 50 Hz

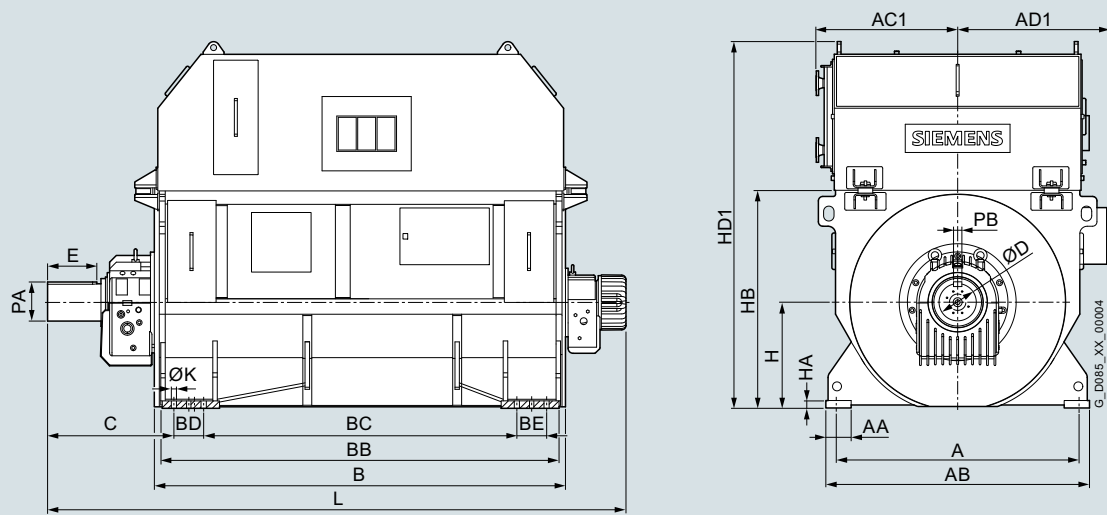
1DK1102-OTR08-0NA1	45	170	630	1300	2270	855	950	48	10024
1DK1102-0WR08-0NA1	45	170	630	1300	2270	855	950	48	10509
1DK1102-1AR08-0NA1	45	170	630	1300	2470	855	950	48	11145
1DK1102-1DR08-0NA1	45	170	630	1300	2470	855	950	48	11630
1DK1102-1JR08-0NA1	45	170	630	1300	2470	855	950	48	12487
1DK1102-1PR08-0NA1	45	170	630	1300	2470	855	950	48	13674

Technical data

Industrial/Marine applications

IC81W cooling method**Dimensional drawings**

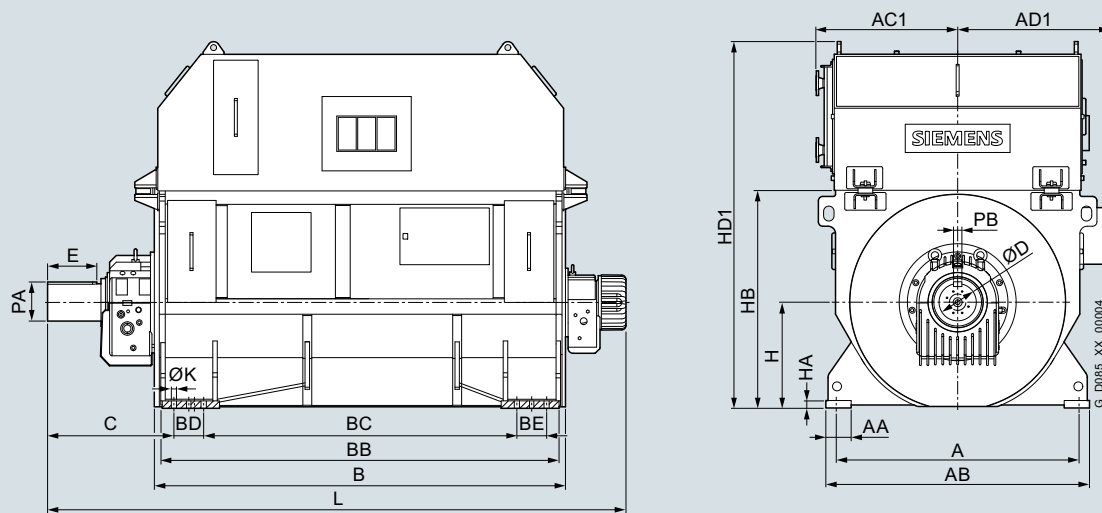
Article No.	Dimensions												
	Ø D mm	E mm	PB mm	PA mm	L mm	B mm	BB mm	BC mm	BD mm	BE mm	C mm	AB mm	A mm
1DK1 (Z ventilation), sleeve bearing													
4-pole, 400 V, 50 Hz													
1DK1082-0TA04-0NA2	180	240	45	190	2785	1815	1745	1450	-	-	800	1340	1200
6-pole, 400 V, 50 Hz													
1DK1082-0UA06-0NA2	180	240	45	190	2816	1815	1745	1450	-	-	831	1340	1200
1DK1082-1AA06-0NA2	190	280	45	210	3026	2015	1945	1650	-	-	831	1340	1200
1DK1082-1GA06-0NA2	190	280	50	221	3016	2015	1945	1650	-	-	831	1340	1200
8-pole, 400 V, 50 Hz													
1DK1082-0TA08-0NA2	180	240	45	190	2816	1815	1745	1450	-	-	831	1340	1200
1DK1082-1AA08-0NA2	190	280	45	210	2816	1815	1745	1450	-	-	831	1340	1200
1DK1082-1EA08-0NA2	190	280	45	210	3026	2015	1945	1650	-	-	831	1340	1200
1DK1102-0TA08-0NA2	210	280	50	227	3579	2390	2280	1935	-	-	934	1670	1520
1DK1102-1JA08-0NA2	240	330	56	260	3629	2390	2280	1935	-	-	984	1670	1520
Article No. (repeated)	Dimensions								Weight kg				
	HA mm	AA mm	H mm	HB mm	HD ₁ mm	AC ₁ mm	AD ₁ mm	Ø K mm					
4-pole, 400 V, 50 Hz													
1DK1082-0TA04-0NA2	45	150	560	1170	2473	720	720	48	7900				
6-pole, 400 V, 50 Hz													
1DK1082-0UA06-0NA2	45	150	560	1170	2273	720	720	48	7913				
1DK1082-1AA06-0NA2	45	150	560	1170	2273	720	720	48	8828				
1DK1082-1GA06-0NA2	45	150	560	1170	2273	720	720	48	9776				
8-pole, 400 V, 50 Hz													
1DK1082-0TA08-0NA2	45	150	560	1170	2323	720	720	48	7695				
1DK1082-1AA08-0NA2	45	150	560	1170	2323	720	720	48	8650				
1DK1082-1EA08-0NA2	45	150	560	1170	2323	720	720	48	9408				
1DK1102-0TA08-0NA2	45	170	630	1300	2270	855	950	48	11203				
1DK1102-1JA08-0NA2	45	170	630	1300	2270	855	950	48	13822				

Dimensional drawings (continued)


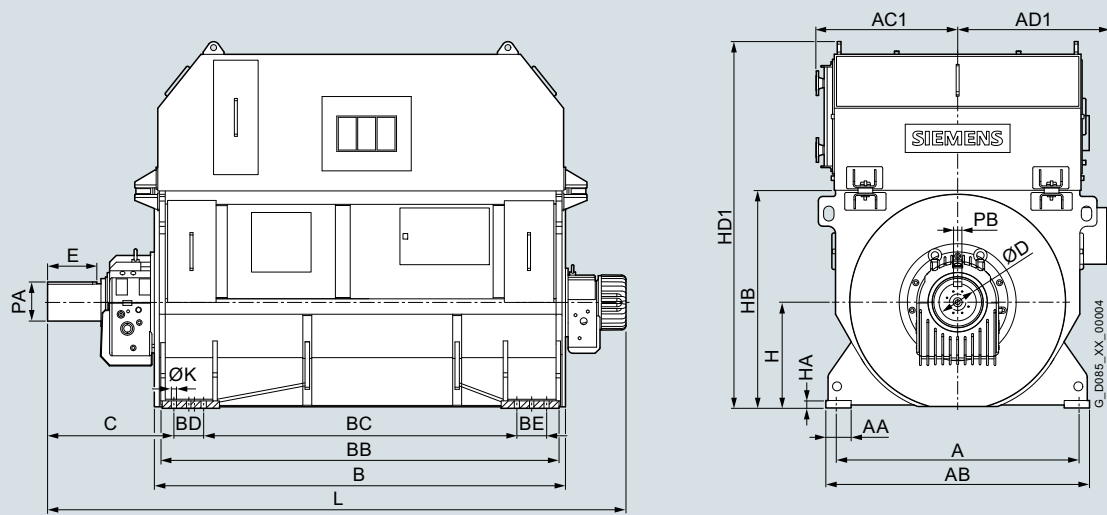
Article No.	Dimensions												
	Ø D mm	E mm	PB mm	PA mm	L mm	B mm	BB mm	BC mm	BD mm	BE mm	C mm	AB mm	A mm
1DK1 (Z ventilation), sleeve bearing													
10-pole, 400 V, 50 Hz													
1DK1082-0QA10-0NA2	180	240	45	190	2816	1815	1745	1450	–	–	831	1340	1200
1DK1082-1CA10-0NA2	190	280	45	210	3016	2015	1945	1650	–	–	831	1340	1200
1DK1102-0YA10-0NA2	220	280	50	237	3579	2390	2280	1935	–	–	934	1670	1520
1DK1102-1EA10-0NA2	230	330	50	247	3629	2390	2280	1935	–	–	984	1670	1520
1DK1102-1MA10-0NA2	240	330	56	260	3629	2390	2280	1935	–	–	984	1670	1520
12-pole, 400 V, 50 Hz													
1DK1122-1AA12-0NA2	240	330	56	252	3505	2460	2370	1812	200	200	875	1770	1630
1DK1122-1DA12-0NA2	250	330	56	262	3505	2460	2370	1812	200	200	875	1770	1630
1DK1122-1GA12-0NA2	260	330	56	272	3505	2460	2370	1812	200	200	875	1770	1630
Article No. (repeated)	Dimensions									Weight kg			
	HA mm	AA mm	H mm	HB mm	HD ₁ mm	AC ₁ mm	AD ₁ mm	Ø K mm					
10-pole, 400 V, 50 Hz													
1DK1082-0QA10-0NA2	45	150	560	1170	2323	720	720	48	7362				
1DK1082-1CA10-0NA2	45	150	560	1170	2323	720	720	48	9096				
1DK1102-0YA10-0NA2	45	170	630	1300	2270	855	950	48	11800				
1DK1102-1EA10-0NA2	45	170	630	1300	2270	855	950	48	12646				
1DK1102-1MA10-0NA2	45	170	630	1300	2470	855	950	48	13994				
12-pole, 400 V, 50 Hz													
1DK1122-1AA12-0NA2	50	170	710	1460	2425	940	1020	39	13717				
1DK1122-1DA12-0NA2	50	170	710	1460	2425	940	1020	39	14341				
1DK1122-1GA12-0NA2	50	170	710	1460	2425	940	1020	39	14994				

Technical data

Industrial/Marine applications

IC81W cooling method**Dimensional drawings**

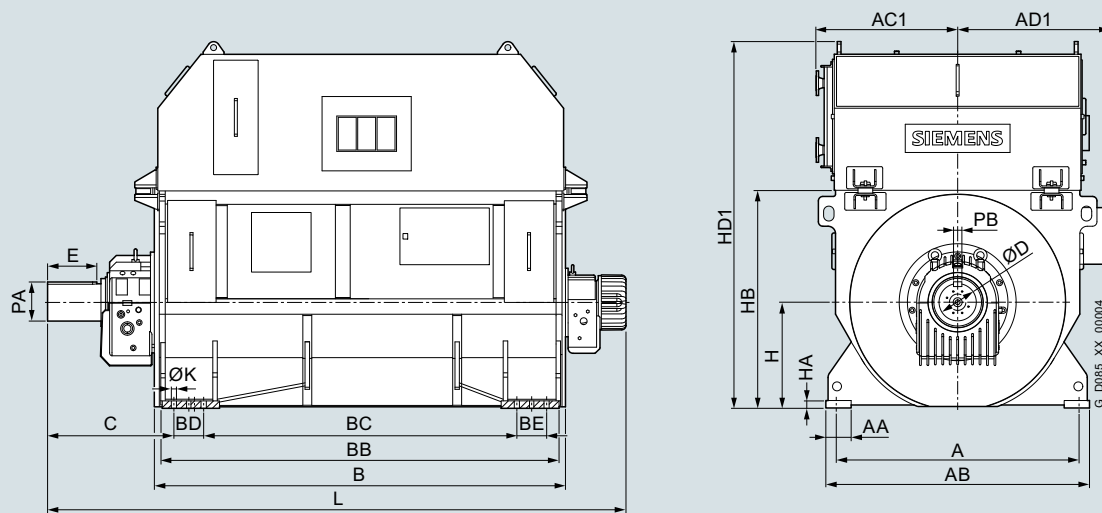
Article No.	Dimensions												
	Ø D mm	E mm	PB mm	PA mm	L mm	B mm	BB mm	BC mm	BD mm	BE mm	C mm	AB mm	A mm
1DK1 (Z ventilation), sleeve bearing													
4-pole, 450 V, 60 Hz													
1DK1082-ORB04-0NA2	180	240	45	190	2785	1815	1745	1450	-	-	800	1340	1200
6-pole, 450 V, 60 Hz													
1DK1082-0UB06-0NA2	190	280	45	200	2826	1815	1745	1450	-	-	831	1340	1200
1DK1082-1AB06-0NA2	190	280	45	210	3026	2015	1945	1650	-	-	831	1340	1200
8-pole, 450 V, 60 Hz													
1DK1082-0TB08-0NA2	190	280	45	200	2826	1815	1745	1450	-	-	831	1340	1200
1DK1082-1AB08-0NA2	190	280	45	200	2826	1815	1745	1450	-	-	831	1340	1200
1DK1082-1EB08-0NA2	190	280	45	210	3026	2015	1945	1650	-	-	831	1340	1200
1DK1102-0TB08-0NA2	210	280	50	227	3579	2390	2280	1935	-	-	934	1670	1520
1DK1102-0WB08-0NA2	220	280	50	237	3579	2390	2280	1935	-	-	934	1670	1520
Article No. (repeated)	Dimensions								Weight				
	HA mm	AA mm	H mm	HB mm	HD ₁ mm	AC ₁ mm	AD ₁ mm	Ø K mm	kg				
4-pole, 450 V, 60 Hz													
1DK1082-ORB04-0NA2	45	150	560	1170	2473	720	720	48	7671				
6-pole, 450 V, 60 Hz													
1DK1082-0UB06-0NA2	45	150	560	1170	2273	720	720	48	7933				
1DK1082-1AB06-0NA2	45	150	560	1170	2273	720	720	48	8915				
8-pole, 450 V, 60 Hz													
1DK1082-0TB08-0NA2	45	150	560	1170	2323	720	720	48	7770				
1DK1082-1AB08-0NA2	45	150	560	1170	2323	720	720	48	8636				
1DK1082-1EB08-0NA2	45	150	560	1170	2323	720	720	48	9408				
1DK1102-0TB08-0NA2	45	170	630	1300	2470	855	950	48	11343				
1DK1102-0WB08-0NA2	45	170	630	1300	2470	855	950	48	11861				

Dimensional drawings (continued)


Article No.	Dimensions												
	Ø D mm	E mm	PB mm	PA mm	L mm	B mm	BB mm	BC mm	BD mm	BE mm	C mm	AB mm	A mm
1DK1 (Z ventilation), sleeve bearing													
10-pole, 450 V, 60 Hz													
1DK1082-0QB10-0NA2	180	240	45	190	2816	1815	1745	1450	–	–	831	1340	1200
1DK1082-0UB10-0NA2	190	280	45	200	2826	1815	1745	1450	–	–	831	1340	1200
1DK1082-1CB10-0NA2	190	280	50	221	3036	2015	1945	1650	–	–	831	1340	1200
1DK1102-0SB10-0NA2	210	280	50	227	3579	2390	2280	1935	–	–	934	1670	1520
1DK1102-0YB10-0NA2	240	330	56	237	3629	2390	2280	1935	–	–	984	1670	1520
1DK1102-1EB10-0NA2	240	330	50	247	3629	2390	2280	1935	–	–	984	1670	1520
12-pole, 450 V, 60 Hz													
1DK1122-1AB12-0NA2	250	330	56	262	3505	2460	2370	1812	200	200	875	1770	1630
1DK1122-1DB12-0NA2	250	330	56	262	3505	2460	2370	1812	200	200	875	1770	1630
14-pole, 450 V, 60 Hz													
1DK1122-1DB14-0NA2	230	330	50	241	3505	2460	2370	1812	200	200	875	1770	1630
1DK1122-1JB14-0NA2	240	330	56	252	3505	2460	2370	1812	200	200	875	1770	1630
1DK1122-1XB14-0NA2	240	330	56	252	3795	2750	2660	2102	200	200	875	1770	1630
Article No. (repeated)	Dimensions								Weight kg				
	HA mm	AA mm	H mm	HB mm	HD ₁ mm	AC ₁ mm	AD ₁ mm	Ø K mm					
10-pole, 450 V, 60 Hz													
1DK1082-0QB10-0NA2	45	150	560	1170	2323	720	720	48	7340				
1DK1082-0UB10-0NA2	45	150	560	1170	2323	720	720	48	7917				
1DK1082-1CB10-0NA2	45	150	560	1170	2323	720	720	48	9056				
1DK1102-0SB10-0NA2	45	170	630	1300	2270	855	950	48	10860				
1DK1102-0YB10-0NA2	45	170	630	1300	2470	855	950	48	11940				
1DK1102-1EB10-0NA2	45	170	630	1300	2470	855	950	48	12817				
12-pole, 450 V, 60 Hz													
1DK1122-1AB12-0NA2	50	170	710	1460	2799	940	1020	39	14063				
1DK1122-1DB12-0NA2	50	170	710	1460	2799	940	1020	39	14698				
14-pole, 450 V, 60 Hz													
1DK1122-1DB14-0NA2	50	170	710	1460	2425	940	1020	39	14266				
1DK1122-1JB14-0NA2	50	170	710	1460	2425	940	1020	39	15284				
1DK1122-1XB14-0NA2	50	170	710	1460	2561	940	1020	39	18455				

Technical data

Industrial/Marine applications

IC81W cooling method**Dimensional drawings**

Article No.	Dimensions												
	Ø D	E	PB	PA	L	B	BB	BC	BD	BE	C	AB	A
	mm	mm	mm	mm	mm	mm	mm	mm	mm	mm	mm	mm	mm

1DK1 (Z ventilation), sleeve bearing

4-pole, 690 V, 50 Hz

1DK1082-0TC04-0NA2	180	240	45	190	2785	1815	1745	1450	-	-	800	1340	1200
1DK1082-0WC04-0NA2	190	280	45	200	2995	2015	1945	1650	-	-	800	1340	1200
1DK1082-1AC04-0NA2	190	280	45	210	3005	2015	1945	1650	-	-	800	1340	1200
1DK1082-1DC04-0NA2	190	280	45	210	3005	2015	1945	1650	-	-	800	1340	1200

6-pole, 690 V, 50 Hz

1DK1080-0UC06-0NA2	190	280	45	200	2826	1815	1745	1450	-	-	831	1340	1200
1DK1082-1AC06-0NA2	190	280	45	210	3026	2015	1945	1650	-	-	831	1340	1200
1DK1082-1GC06-0NA2	190	280	50	221	3036	2015	1945	1650	-	-	831	1340	1200
1DK1102-0YC06-0NA2	220	280	50	227	3579	2390	2280	1935	-	-	934	1670	1520
1DK1102-1CC06-0NA2	230	330	50	247	3629	2390	2280	1935	-	-	984	1670	1520
1DK1102-1HC06-0NA2	240	330	56	247	3629	2390	2280	1935	-	-	984	1670	1520
1DK1102-1NC06-0NA2	250	330	56	260	3874	2635	2525	2180	-	-	984	1670	1520

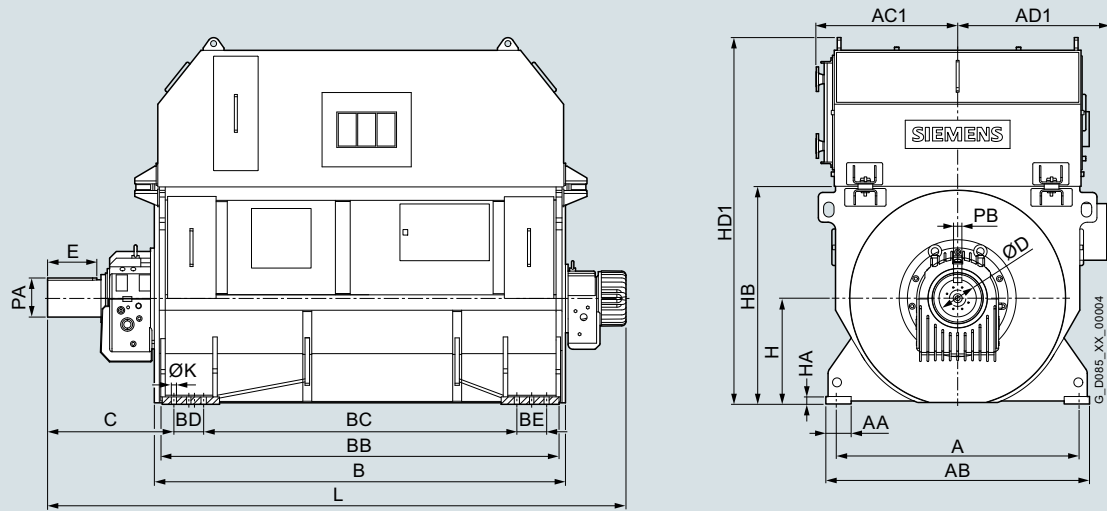
Article No. (repeated)	Dimensions								Weight
	HA	AA	H	HB	HD ₁	AC ₁	AD ₁	Ø K	
	mm	mm	mm	mm	mm	mm	mm	mm	kg

4-pole, 690 V, 50 Hz

1DK1082-0TC04-0NA2	45	150	560	1170	2473	720	720	48	7900
1DK1082-0WC04-0NA2	45	150	560	1170	2473	720	720	48	8511
1DK1082-1AC04-0NA2	45	150	560	1170	2473	720	720	48	8981
1DK1082-1DC04-0NA2	45	150	560	1170	2473	720	720	48	9415

6-pole, 690 V, 50 Hz

1DK1080-0UC06-0NA2	45	150	560	1170	2273	720	720	48	7973
1DK1082-1AC06-0NA2	45	150	560	1170	2273	720	720	48	8840
1DK1082-1GC06-0NA2	45	150	560	1170	2273	720	720	48	9746
1DK1102-0YC06-0NA2	45	170	630	1300	2470	855	950	48	12280
1DK1102-1CC06-0NA2	45	170	630	1300	2470	855	950	48	12752
1DK1102-1HC06-0NA2	45	170	630	1300	2470	855	950	48	13552
1DK1102-1NC06-0NA2	45	170	630	1300	2470	855	950	48	14826

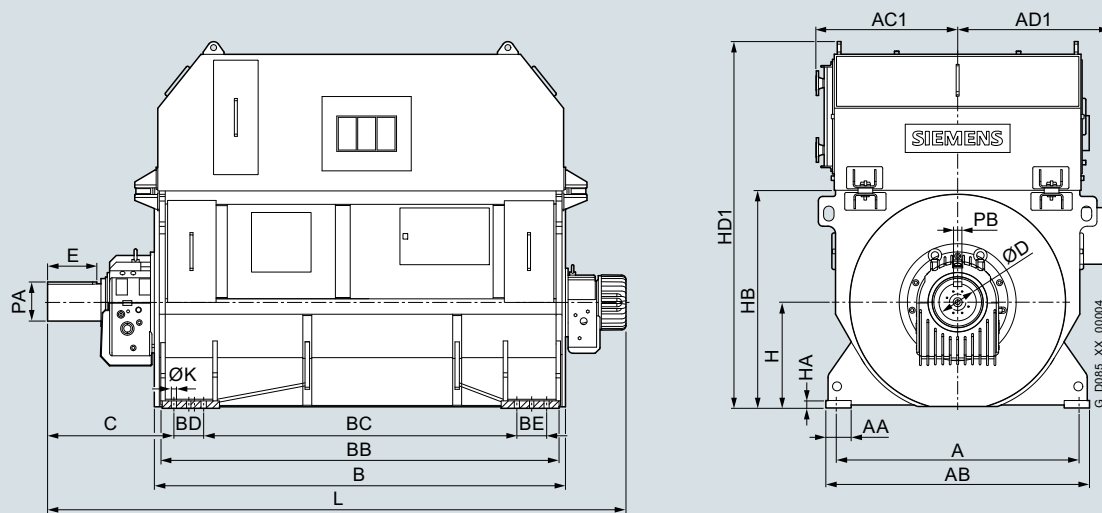
Dimensional drawings (continued)


Article No.	Dimensions												
	Ø D	E	PB	PA	L	B	BB	BC	BD	BE	C	AB	A
	mm	mm	mm	mm	mm	mm	mm	mm	mm	mm	mm	mm	mm
1DK1 (Z ventilation), sleeve bearing													
8-pole, 690 V, 50 Hz													
1DK1082-0TC08-0NA2	180	240	45	190	2816	1815	1745	1450	–	–	831	1340	1200
1DK1082-1AC08-0NA2	190	280	45	210	2836	1815	1745	1450	–	–	831	1340	1200
1DK1082-1EC08-0NA2	190	280	50	221	3036	2015	1945	1650	–	–	831	1340	1200
1DK1102-0WC08-0NA2	220	280	50	237	3579	2390	2280	1935	–	–	934	1670	1520
1DK1102-1DC08-0NA2	240	330	56	260	3629	2390	2280	1935	–	–	984	1670	1520
1DK1102-1JC08-0NA2	240	330	56	260	3629	2390	2280	1935	–	–	984	1670	1520
1DK1102-1PC08-0NA2	250	330	56	270	3874	2635	2525	2180	–	–	984	1670	1520
1DK1122-1FC08-0NA2	260	330	56	272	3505	2460	2370	1812	200	200	875	1770	1630
1DK1122-1PC08-0NA2	280	380	63	292	3845	2750	2660	2102	200	200	925	1770	1630

Article No. (repeated)	Dimensions								Weight
	HA	AA	H	HB	HD ₁	AC ₁	AD ₁	Ø K	
	mm	mm	mm	mm	mm	mm	mm	mm	kg
8-pole, 690 V, 50 Hz									
1DK1082-0TC08-0NA2	45	150	560	1170	2323	720	720	48	7764
1DK1082-1AC08-0NA2	45	150	560	1170	2323	720	720	48	8633
1DK1082-1EC08-0NA2	45	150	560	1170	2323	720	720	48	9338
1DK1102-0WC08-0NA2	45	170	630	1300	2470	855	950	48	11700
1DK1102-1DC08-0NA2	45	170	630	1300	2470	855	950	48	12875
1DK1102-1JC08-0NA2	45	170	630	1300	2470	855	950	48	13851
1DK1102-1PC08-0NA2	45	170	630	1300	2470	855	950	48	15014
1DK1122-1FC08-0NA2	50	170	710	1460	2425	940	1020	39	14964
1DK1122-1PC08-0NA2	50	170	710	1460	2561	940	1020	39	17336

Technical data

Industrial/Marine applications

IC81W cooling method**Dimensional drawings** (continued)

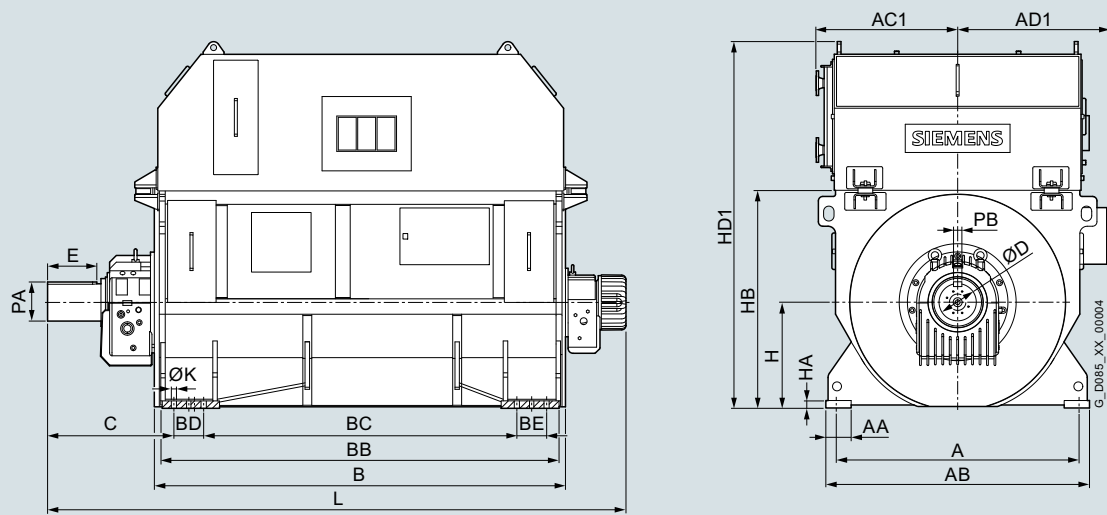
Article No.	Dimensions												
	Ø D	E	PB	PA	L	B	BB	BC	BD	BE	C	AB	A
	mm	mm	mm	mm	mm	mm	mm	mm	mm	mm	mm	mm	mm

1DK1 (Z ventilation), sleeve bearing

10-pole, 690 V, 50 Hz

1DK1082-0QC10-0NA2	180	240	45	190	2816	1815	1745	1450	-	-	831	1340	1200
1DK1082-0WC10-0NA2	190	280	45	200	3016	2015	1945	1650	-	-	831	1340	1200
1DK1082-1CC10-0NA2	190	280	45	210	3026	2015	1945	1650	-	-	831	1340	1200
1DK1102-0VC10-0NA2	220	280	50	227	3579	2390	2280	1935	-	-	934	1670	1520
1DK1102-0YC10-0NA2	230	330	50	247	3629	2390	2280	1935	-	-	984	1670	1520
1DK1102-1EC10-0NA2	240	330	56	260	3629	2390	2280	1935	-	-	984	1670	1520
1DK1102-1RC10-0NA2	250	330	56	270	3874	2635	2525	2180	-	-	984	1670	1520
1DK1122-1JC10-0NA2	260	330	56	272	3505	2460	2370	1812	200	200	875	1770	1630
1DK1122-1SC10-0NA2	280	380	63	292	3845	2750	2660	2102	200	200	925	1770	1630
1DK1122-1YC10-0NA2	280	380	63	292	4019	2924	2834	2276	200	200	925	1770	1630
1DK1142-1LC10-0NA2	310	380	70	324	3817	2586	2491	1696	400	365	1065	1970	1830

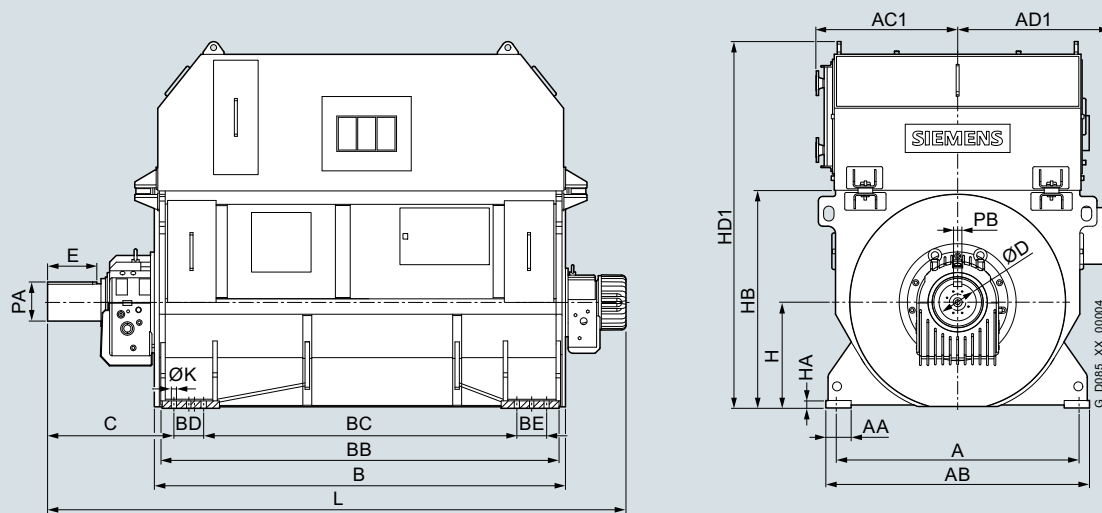
Article No. (repeated)	Dimensions								Weight
	HA	AA	H	HB	HD ₁	AC ₁	AD ₁	Ø K	
	mm	mm	mm	mm	mm	mm	mm	mm	kg
10-pole, 690 V, 50 Hz									
1DK1082-0QC10-0NA2	45	150	560	1170	2323	720	720	48	7340
1DK1082-0WC10-0NA2	45	150	560	1170	2323	720	720	48	8369
1DK1082-1CC10-0NA2	45	150	560	1170	2323	720	720	48	9091
1DK1102-0VC10-0NA2	45	170	630	1300	2270	855	950	48	11338
1DK1102-0YC10-0NA2	45	170	630	1300	2270	855	950	48	11798
1DK1102-1EC10-0NA2	45	170	630	1300	2470	855	950	48	12790
1DK1102-1RC10-0NA2	45	170	630	1300	2470	855	950	48	14975
1DK1122-1JC10-0NA2	50	170	710	1460	2561	940	1020	39	15982
1DK1122-1SC10-0NA2	50	170	710	1460	2561	940	1020	39	17899
1DK1122-1YC10-0NA2	50	170	710	1460	2561	940	1020	39	19654
1DK1142-1LC10-0NA2	60	200	800	1630	3155	1050	1825	39	23098

Dimensional drawings (continued)


Article No.	Dimensions												
	Ø D mm	E mm	PB mm	PA mm	L mm	B mm	BB mm	BC mm	BD mm	BE mm	C mm	AB mm	A mm
1DK1 (Z ventilation), sleeve bearing													
12-pole, 690 V, 50 Hz													
1DK1122-1AC12-0NA2	240	330	56	252	3505	2460	2370	1812	200	200	875	1770	1630
1DK1122-1DC12-0NA2	250	330	56	262	3505	2460	2370	1812	200	200	875	1770	1630
1DK1122-1GC12-0NA2	260	330	56	272	3505	2460	2370	1812	200	200	875	1770	1630
1DK1122-1MC12-0NA2	280	380	63	292	3845	2750	2660	2102	200	200	925	1770	1630
1DK1122-1VC12-0NA2	280	380	63	292	3845	2750	2660	2102	200	200	925	1770	1630
1DK1142-1JC12-0NA2	300	380	70	314	3817	2586	2491	1696	400	365	1065	1970	1830
1DK1142-1NC12-0NA2	320	380	70	334	3817	2586	2491	1696	400	365	1065	1970	1830
1DK1142-1XC12-0NA2	330	450	70	344	4351	3050	2955	2160	400	365	1135	1970	1830
14-pole, 690 V, 50 Hz													
1DK1142-1NC14-0NA2	300	380	70	314	3817	2586	2491	1696	400	365	1065	1970	1830
1DK1142-1XC14-0NA2	320	380	70	334	4281	3050	2955	2160	400	365	1065	1970	1830
Article No. (repeated)	Dimensions								Weight kg				
	HA mm	AA mm	H mm	HB mm	HD ₁ mm	AC ₁ mm	AD ₁ mm	Ø K mm					
12-pole, 690 V, 50 Hz													
1DK1122-1AC12-0NA2	50	170	710	1460	2425	940	1020	39	13717				
1DK1122-1DC12-0NA2	50	170	710	1460	2425	940	1020	39	14341				
1DK1122-1GC12-0NA2	50	170	710	1460	2425	940	1020	39	14994				
1DK1122-1MC12-0NA2	50	170	710	1460	2561	940	1020	39	16878				
1DK1122-1VC12-0NA2	50	170	710	1460	2561	940	1020	39	18387				
1DK1142-1JC12-0NA2	60	200	800	1630	3155	1050	1825	39	22838				
1DK1142-1NC12-0NA2	60	200	800	1630	3155	1050	1825	39	23770				
1DK1142-1XC12-0NA2	60	200	800	1630	3121	1050	1825	39	26909				
14-pole, 690 V, 50 Hz													
1DK1142-1NC14-0NA2	60	200	800	1630	3155	1050	1825	39	23856				
1DK1142-1XC14-0NA2	60	200	800	1630	3121	1050	1825	39	26890				

Technical data

Industrial/Marine applications

IC81W cooling method**Dimensional drawings**

Article No.	Dimensions												
	Ø D	E	PB	PA	L	B	BB	BC	BD	BE	C	AB	A
	mm	mm	mm	mm	mm	mm	mm	mm	mm	mm	mm	mm	mm

1DK1 (Z ventilation), sleeve bearing

4-pole, 690 V, 60 Hz

1DK1082-ORD04-0NA2	180	240	45	190	2785	1815	1745	1450	-	-	800	1340	1200
1DK1082-OTD04-0NA2	180	240	45	190	2785	1815	1745	1450	-	-	800	1340	1200
1DK1082-OWD04-0NA2	190	280	45	200	2995	2015	1945	1650	-	-	800	1340	1200
1DK1082-1AD04-0NA2	190	280	45	210	3005	2015	1945	1650	-	-	800	1340	1200

6-pole, 690 V, 60 Hz

1DK1080-0UD06-0NA2	190	280	45	200	2826	1815	1745	1450	-	-	831	1340	1200
1DK1082-1AD06-0NA2	190	280	45	210	3026	2015	1945	1650	-	-	831	1340	1200
1DK1082-1GD06-0NA2	190	280	50	221	3036	2015	1945	1650	-	-	831	1340	1200
1DK1102-0VD06-0NA2	210	280	50	227	3579	2390	2280	1935	-	-	934	1670	1520
1DK1102-0YD06-0NA2	220	280	50	237	3579	2390	2280	1935	-	-	934	1670	1520
1DK1102-1CD06-0NA2	230	330	50	247	3629	2390	2280	1935	-	-	984	1670	1520
1DK1102-1HD06-0NA2	240	330	56	260	3629	2390	2280	1935	-	-	984	1670	1520

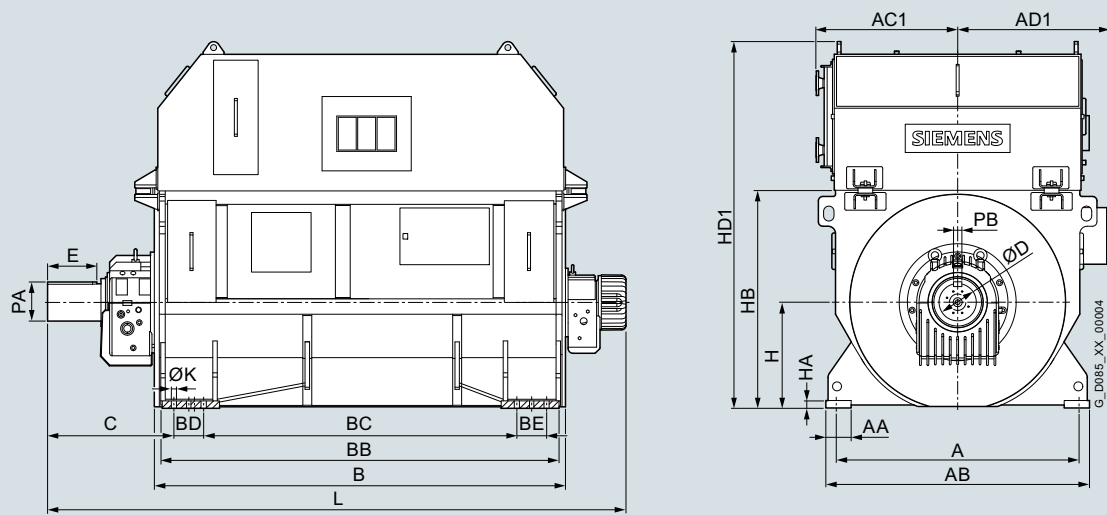
Article No. (repeated)	Dimensions								Weight
	HA	AA	H	HB	HD ₁	AC ₁	AD ₁	Ø K	
	mm	mm	mm	mm	mm	mm	mm	mm	kg

4-pole, 690 V, 60 Hz

1DK1082-ORD04-0NA2	45	150	560	1170	2473	720	720	48	7617
1DK1082-OTD04-0NA2	45	150	560	1170	2473	720	720	48	7916
1DK1082-OWD04-0NA2	45	150	560	1170	2473	720	720	48	8572
1DK1082-1AD04-0NA2	45	150	560	1170	2473	720	720	48	9018

6-pole, 690 V, 60 Hz

1DK1080-0UD06-0NA2	45	150	560	1170	2273	720	720	48	7933
1DK1082-1AD06-0NA2	45	150	560	1170	2273	720	720	48	8863
1DK1082-1GD06-0NA2	45	150	560	1170	2273	720	720	48	9622
1DK1102-0VD06-0NA2	45	170	630	1300	2470	855	950	48	11797
1DK1102-0YD06-0NA2	45	170	630	1300	2470	855	950	48	12291
1DK1102-1CD06-0NA2	45	170	630	1300	2470	855	950	48	12741
1DK1102-1HD06-0NA2	45	170	630	1300	2470	855	950	48	13616

Dimensional drawings (continued)


Article No.	Dimensions												
	Ø D	E	PB	PA	L	B	BB	BC	BD	BE	C	AB	A
	mm	mm	mm	mm	mm	mm	mm	mm	mm	mm	mm	mm	mm

1DK1 (Z ventilation), sleeve bearing

8-pole, 690 V, 60 Hz

1DK1082-OTD08-0NA2	190	280	45	200	2826	1815	1745	1450	–	–	831	1340	1200
1DK1082-1AD08-0NA2	190	280	45	210	2836	1815	1745	1450	–	–	831	1340	1200
1DK1082-1ED08-0NA2	190	280	50	221	3036	2015	1945	1650	–	–	831	1340	1200
1DK1102-0WD08-0NA2	220	280	50	237	3629	2390	2280	1935	–	–	934	1670	1520
1DK1102-1AD08-0NA2	240	330	56	260	3629	2390	2280	1935	–	–	984	1670	1520
1DK1102-1DD08-0NA2	240	330	56	260	3629	2390	2280	1935	–	–	984	1670	1520
1DK1102-1PD08-0NA2	250	330	56	270	3874	2635	2525	2180	–	–	984	1670	1520
1DK1122-1FD08-0NA2	260	330	56	272	3505	2460	2370	1812	200	200	885	1770	1630

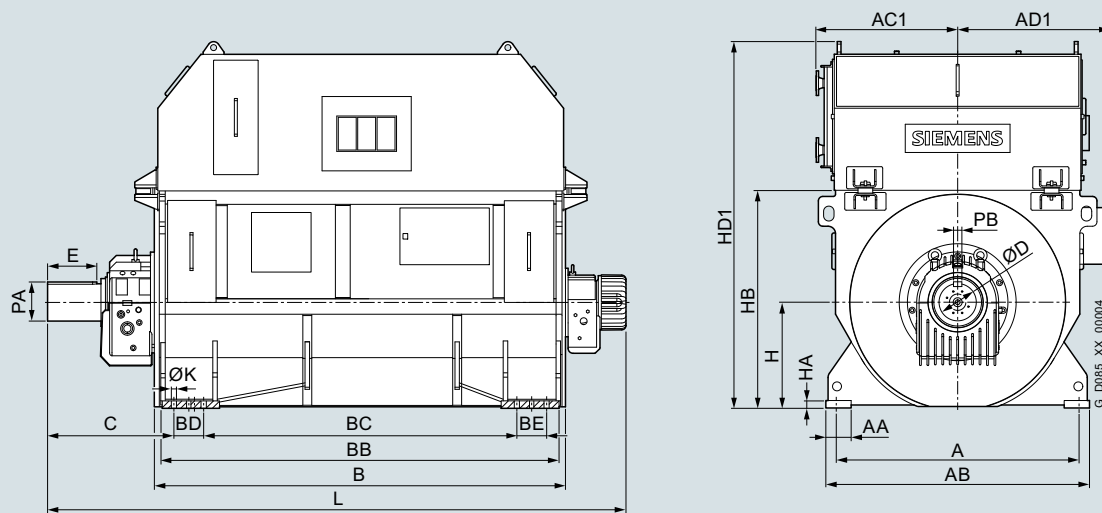
Article No. (repeated)	Dimensions								Weight
	HA	AA	H	HB	HD ₁	AC ₁	AD ₁	Ø K	
	mm	mm	mm	mm	mm	mm	mm	mm	kg

8-pole, 690 V, 60 Hz

1DK1082-OTD08-0NA2	45	150	560	1170	2323	720	720	48	7752
1DK1082-1AD08-0NA2	45	150	560	1170	2323	720	720	48	8628
1DK1082-1ED08-0NA2	45	150	560	1170	2323	720	720	48	9364
1DK1102-0WD08-0NA2	45	170	630	1300	2470	855	950	48	12089
1DK1102-1AD08-0NA2	45	170	630	1300	2470	855	950	48	12643
1DK1102-1DD08-0NA2	45	170	630	1300	2470	855	950	48	13312
1DK1102-1PD08-0NA2	45	170	630	1300	2470	855	950	48	15038
1DK1122-1FD08-0NA2	50	170	710	1460	2425	940	1020	39	15068

Technical data

Industrial/Marine applications

IC81W cooling method**Dimensional drawings** (continued)

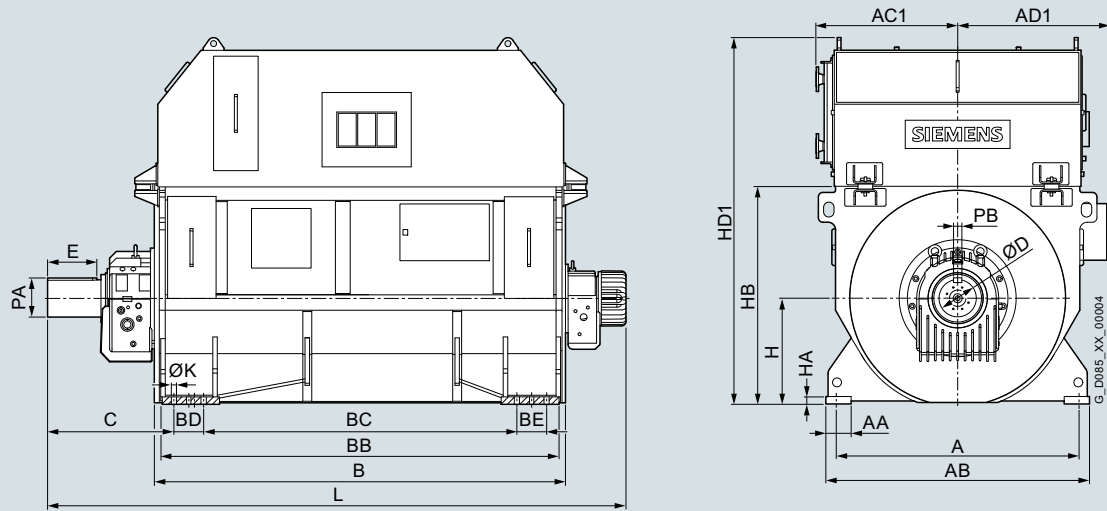
Article No.	Dimensions												
	Ø D	E	PB	PA	L	B	BB	BC	BD	BE	C	AB	A
	mm	mm	mm	mm	mm	mm	mm	mm	mm	mm	mm	mm	mm

1DK1 (Z ventilation), sleeve bearing

10-pole, 690 V, 60 Hz

1DK1082-0QD10-0NA2	180	240	45	190	2816	1815	1745	1450	-	-	831	1340	1200
1DK1082-0UD10-0NA2	190	280	45	200	2826	1815	1745	1450	-	-	831	1340	1200
1DK1082-0WD10-0NA2	190	280	45	200	3016	2015	1945	1650	-	-	831	1340	1200
1DK1082-1CD10-0NA2	190	280	50	221	3036	2015	1945	1650	-	-	831	1340	1200
1DK1102-0SD10-0NA2	210	280	50	227	3579	2390	2280	1935	-	-	934	1670	1520
1DK1102-0VD10-0NA2	230	330	50	227	3629	2390	2280	1935	-	-	984	1670	1520
1DK1102-0YD10-0NA2	240	330	50	237	3629	2390	2280	1935	-	-	984	1670	1520
1DK1102-1ED10-0NA2	240	330	50	247	3629	2390	2280	1935	-	-	984	1670	1520
1DK1102-1MD10-0NA2	260	330	56	260	3629	2390	2280	1935	-	-	984	1670	1520
1DK1122-1JD10-0NA2	260	330	56	272	3505	2460	2370	1812	200	200	875	1770	1630
1DK1122-1MD10-0NA2	280	380	63	292	3845	2750	2660	2102	200	200	925	1770	1630
1DK1122-1SD10-0NA2	280	380	63	292	3845	2750	2660	2102	200	200	925	1770	1630
1DK1142-1GD10-0NA2	300	380	70	314	3817	2586	2491	1696	400	365	1065	1970	1830

Article No. (repeated)	Dimensions								Weight
	HA	AA	H	HB	HD ₁	AC ₁	AD ₁	Ø K	
	mm	mm	mm	mm	mm	mm	mm	mm	kg
10-pole, 690 V, 60 Hz									
1DK1082-0QD10-0NA2	45	150	560	1170	2323	720	720	48	7362
1DK1082-0UD10-0NA2	45	150	560	1170	2323	720	720	48	7882
1DK1082-0WD10-0NA2	45	150	560	1170	2323	720	720	48	8398
1DK1082-1CD10-0NA2	45	150	560	1170	2323	720	720	48	9062
1DK1102-0SD10-0NA2	45	170	630	1300	2470	855	950	48	10973
1DK1102-0VD10-0NA2	45	170	630	1300	2270	855	950	48	11377
1DK1102-0YD10-0NA2	45	170	630	1300	2470	855	950	48	11863
1DK1102-1ED10-0NA2	45	170	630	1300	2470	855	950	48	12820
1DK1102-1MD10-0NA2	45	170	630	1300	2470	855	950	48	13897
1DK1122-1JD10-0NA2	50	170	710	1460	2561	940	1020	39	15983
1DK1122-1MD10-0NA2	50	170	710	1460	2561	940	1020	39	16953
1DK1122-1SD10-0NA2	50	170	710	1460	2561	940	1020	39	18016
1DK1142-1GD10-0NA2	60	200	800	1630	3155	1050	1825	39	22086

Dimensional drawings (continued)


Article No.	Dimensions												
	Ø D	E	PB	PA	L	B	BB	BC	BD	BE	C	AB	A
	mm	mm	mm	mm	mm	mm	mm	mm	mm	mm	mm	mm	mm

1DK1 (Z ventilation), sleeve bearing

12-pole, 690 V, 60 Hz

1DK1122-1AD12-0NA2	250	330	56	262	3505	2460	2370	1812	200	200	875	1770	1630
1DK1122-1DD12-0NA2	250	330	56	262	3505	2460	2370	1812	200	200	875	1770	1630
1DK1122-1GD12-0NA2	260	330	56	272	3505	2460	2370	1812	200	200	875	1770	1630
1DK1122-1MD12-0NA2	280	380	63	292	3845	2750	2660	2102	200	200	925	1770	1630
1DK1122-1RD12-0NA2	280	380	63	292	3845	2750	2660	2102	200	200	925	1770	1630
1DK1122-1VD12-0NA2	280	380	63	292	3845	2750	2660	2102	200	200	925	1770	1630
1DK1142-1ND12-0NA2	320	380	70	334	3817	2586	2491	1696	400	365	1065	1970	1830

Article No. (repeated)	Dimensions								Weight
	HA	AA	H	HB	HD ₁	AC ₁	AD ₁	Ø K	
	mm	mm	mm	mm	mm	mm	mm	mm	kg

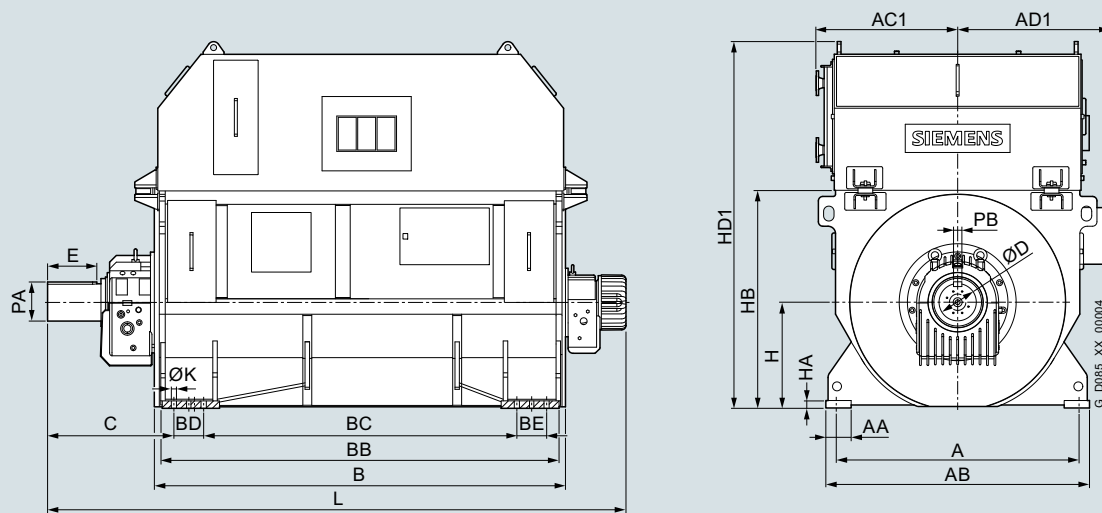
12-pole, 690 V, 60 Hz

1DK1122-1AD12-0NA2	50	170	710	1460	2799	940	1020	39	14063
1DK1122-1DD12-0NA2	50	170	710	1460	2799	940	1020	39	14698
1DK1122-1GD12-0NA2	50	170	710	1460	2799	940	1020	39	15320
1DK1122-1MD12-0NA2	50	170	710	1460	2561	940	1020	39	16789
1DK1122-1RD12-0NA2	50	170	710	1460	2561	940	1020	39	17641
1DK1122-1VD12-0NA2	50	170	710	1460	2561	940	1020	39	18354
1DK1142-1ND12-0NA2	60	200	800	1630	3155	1050	1825	39	23768

Technical data

Industrial/Marine applications

IC81W cooling method

Dimensional drawings (continued)

Article No.	Dimensions												
	Ø D	E	PB	PA	L	B	BB	BC	BD	BE	C	AB	A
	mm	mm	mm	mm	mm	mm	mm	mm	mm	mm	mm	mm	mm

1DK1 (Z ventilation), sleeve bearing

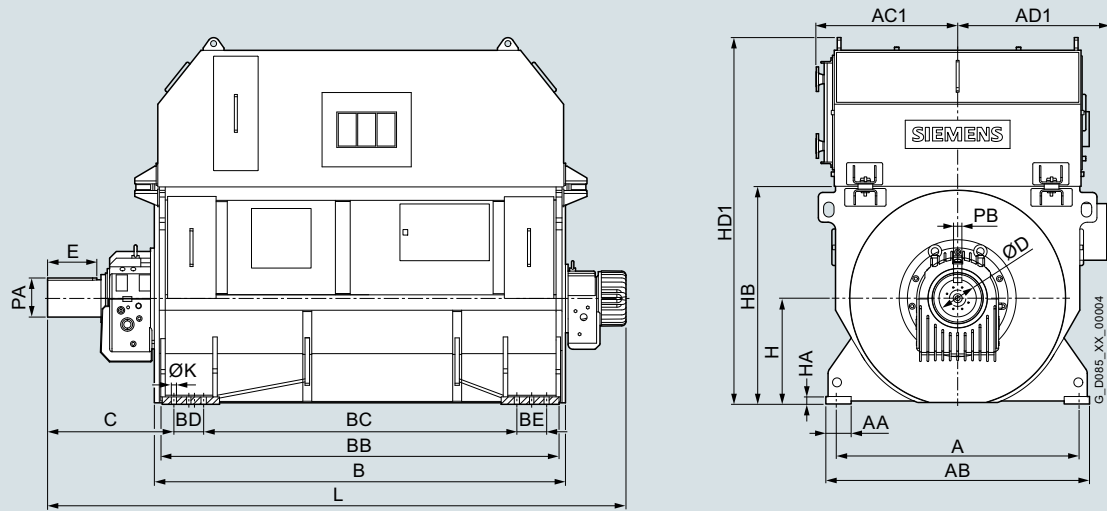
14-pole, 690 V, 60 Hz

1DK1122-1DD14-0NA2	230	330	50	241	3505	2460	2370	1812	200	200	875	1770	1630
1DK1122-1JD14-0NA2	240	330	56	252	3505	2460	2370	1812	200	200	875	1770	1630
1DK1122-1RD14-0NA2	240	330	56	252	3795	2750	2660	2102	200	200	875	1770	1630
1DK1142-1GD14-0NA2	290	380	63	302	3817	2586	2491	1696	400	365	1065	1970	1830
1DK1142-1ND14-0NA2	300	380	70	314	3817	2586	2491	1696	400	365	1065	1970	1830
1DK1142-1XD14-0NA2	330	450	70	344	3887	2586	2491	1696	400	365	1135	1970	1830

Article No. (repeated)	Dimensions								Weight
	HA	AA	H	HB	HD ₁	AC ₁	AD ₁	Ø K	
	mm	mm	mm	mm	mm	mm	mm	mm	kg

14-pole, 690 V, 60 Hz

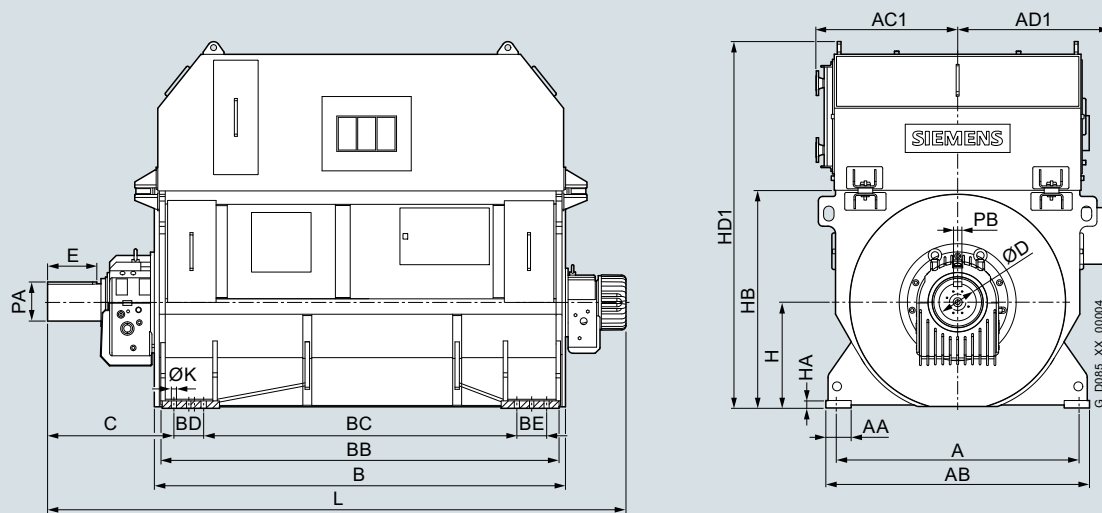
1DK1122-1DD14-0NA2	50	170	710	1460	2425	940	1020	39	14266
1DK1122-1JD14-0NA2	50	170	710	1460	2425	940	1020	39	15284
1DK1122-1RD14-0NA2	50	170	710	1460	2561	940	1020	39	17390
1DK1142-1GD14-0NA2	60	200	800	1630	3155	1050	1825	39	22341
1DK1142-1ND14-0NA2	60	200	800	1630	3155	1050	1825	39	23791
1DK1142-1XD14-0NA2	60	200	800	1630	3155	1050	1825	39	26034

Dimensional drawings


Article No.	Dimensions												
	Ø D mm	E mm	PB mm	PA mm	L mm	B mm	BB mm	BC mm	BD mm	BE mm	C mm	AB mm	A mm
1DK1 (Z ventilation), sleeve bearing													
4-pole, 3.3 kV, 50 Hz													
1DK1082-0TE04-0NA2	180	240	45	190	2785	1815	1745	1450	–	–	800	1340	1200
1DK1082-0WE04-0NA2	180	240	45	190	2785	1815	1745	1450	–	–	800	1340	1200
1DK1082-1AE04-0NA2	190	280	45	200	2995	2015	1945	1650	–	–	800	1340	1200
1DK1082-1DE04-0NA2	190	280	45	210	3005	2015	1945	1650	–	–	800	1340	1200
Article No. (repeated)	Dimensions									Weight kg			
	HA mm	AA mm	H mm	HB mm	HD ₁ mm	AC ₁ mm	AD ₁ mm	Ø K mm					
4-pole, 3.3 kV, 50 Hz													
1DK1082-0TE04-0NA2	45	150	560	1170	2473	720	720	48	7783				
1DK1082-0WE04-0NA2	45	150	560	1170	2473	720	720	48	8191				
1DK1082-1AE04-0NA2	45	150	560	1170	2473	720	720	48	8841				
1DK1082-1DE04-0NA2	45	150	560	1170	2473	720	720	48	9261				

Technical data

Industrial/Marine applications

IC81W cooling method**Dimensional drawings** (continued)

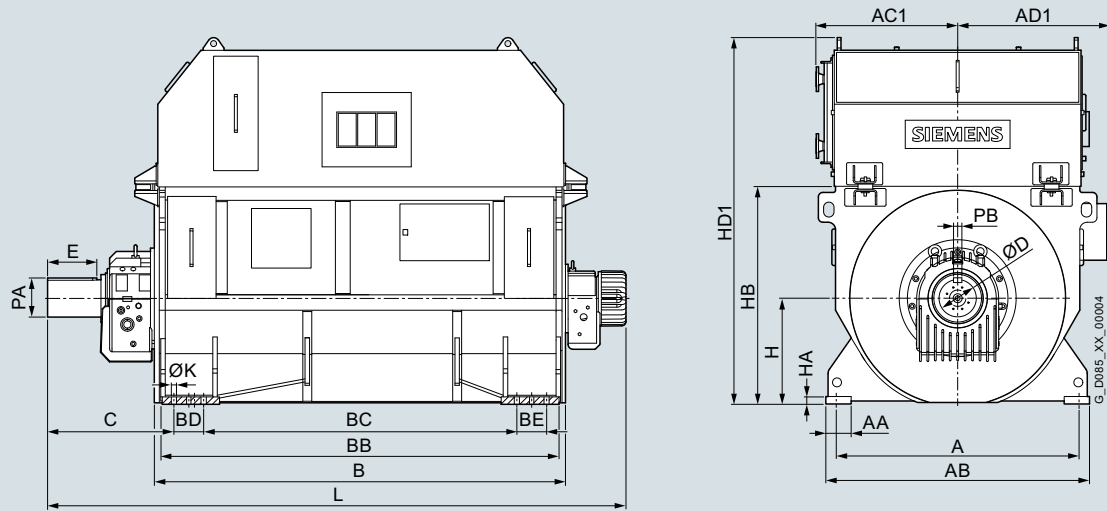
Article No.	Dimensions											
	Ø D mm	E mm	PB mm	PA mm	L mm	B mm	BB mm	BC mm	BD mm	BE mm	C mm	AB mm

1DK1 (Z ventilation), sleeve bearing

6-pole, 3.3 kV, 50 Hz

1DK1082-0UE06-0NA2	180	240	45	190	2816	1815	1745	1450	-	-	831	1340	1200
1DK1082-1AE06-0NA2	190	280	45	200	2826	1815	1745	1450	-	-	831	1340	1200
1DK1082-1GE06-0NA2	190	280	45	210	3026	2015	1945	1650	-	-	831	1340	1200

Article No. (repeated)	Dimensions								Weight kg
	HA mm	AA mm	H mm	HB mm	HD ₁ mm	AC ₁ mm	AD ₁ mm	Ø K mm	
6-pole, 3.3 kV, 50 Hz									
1DK1082-0UE06-0NA2	45	150	560	1170	2273	720	720	48	7792
1DK1082-1AE06-0NA2	45	150	560	1170	2273	720	720	48	8456
1DK1082-1GE06-0NA2	45	150	560	1170	2273	720	720	48	9548

Dimensional drawings (continued)


Article No.	Dimensions												
	Ø D	E	PB	PA	L	B	BB	BC	BD	BE	C	AB	A
	mm	mm	mm	mm	mm	mm	mm	mm	mm	mm	mm	mm	mm

1DK1 (Z ventilation), sleeve bearing

6-pole, 3.3 kV, 50 Hz (continued)

1DK1102-0VE06-0NA2	210	280	50	227	3579	2390	2280	1935	-	-	934	1670	1520
1DK1102-0YE06-0NA2	210	280	50	227	3579	2390	2280	1935	-	-	934	1670	1520
1DK1102-1CE06-0NA2	230	330	50	247	3629	2390	2280	1935	-	-	984	1670	1520
1DK1102-1HE06-0NA2	240	330	56	247	3629	2390	2280	1935	-	-	984	1670	1520
1DK1102-1NE06-0NA2	240	330	56	260	3874	2635	2525	2180	-	-	984	1670	1520
1DK1122-1DE06-0NA2	250	330	56	262	3505	2460	2370	1812	200	200	885	1770	1630
1DK1122-1KE06-0NA2	280	380	63	292	3845	2750	2660	2102	200	200	935	1770	1630
1DK1122-1TE06-0NA2	280	380	63	292	4019	2924	2834	2276	200	200	935	1770	1630
1DK1122-1WE06-0NA2	280	380	63	292	4019	2924	2834	2276	200	200	935	1770	1630
1DK1142-1KE06-0NA2	320	380	70	334	3817	2586	2491	1696	400	365	1065	1970	1830
1DK1142-1PE06-0NA2	330	450	70	344	4119	2818	2723	1928	400	365	1135	1970	1830
1DK1142-1VE06-0NA2	340	450	80	355	4119	2818	2723	1928	400	365	1135	1970	1830
1DK1142-2BE06-0NA2	340	450	80	355	4351	3050	2955	2160	400	365	1135	1970	1830

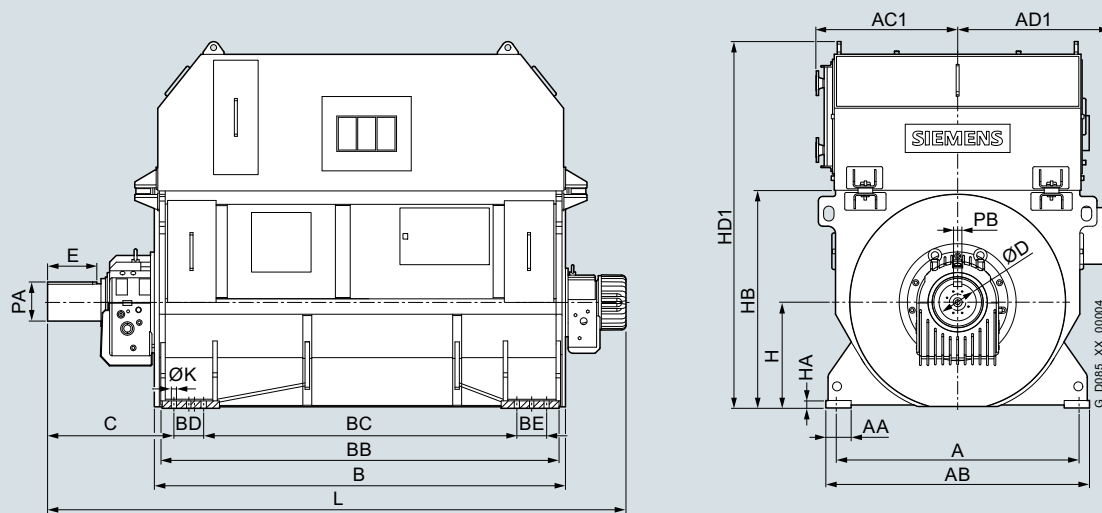
Article No. (repeated)	Dimensions								Weight
	HA	AA	H	HB	HD ₁	AC ₁	AD ₁	Ø K	
	mm	mm	mm	mm	mm	mm	mm	mm	kg

6-pole, 3.3 kV, 50 Hz

1DK1102-0VE06-0NA2	45	170	630	1300	2270	855	950	48	11522
1DK1102-0YE06-0NA2	45	170	630	1300	2470	855	950	48	12131
1DK1102-1CE06-0NA2	45	170	630	1300	2470	855	950	48	12627
1DK1102-1HE06-0NA2	45	170	630	1300	2470	855	950	48	13445
1DK1102-1NE06-0NA2	45	170	630	1300	2470	855	950	48	14669
1DK1122-1DE06-0NA2	50	170	710	1460	2799	940	1020	39	14808
1DK1122-1KE06-0NA2	50	170	710	1460	2833	940	1020	39	16657
1DK1122-1TE06-0NA2	50	170	710	1460	2833	940	1020	39	18781
1DK1122-1WE06-0NA2	50	170	710	1460	2833	940	1020	39	19477
1DK1142-1KE06-0NA2	60	200	800	1630	3325	1050	1825	39	22990
1DK1142-1PE06-0NA2	60	200	800	1630	3464	1050	1825	39	24574
1DK1142-1VE06-0NA2	60	200	800	1630	3464	1050	1825	39	26167
1DK1142-2BE06-0NA2	60	200	800	1630	3464	1050	1825	39	27849

Technical data

Industrial/Marine applications

IC81W cooling method**Dimensional drawings** (continued)

Article No.	Dimensions												
	Ø D	E	PB	PA	L	B	BB	BC	BD	BE	C	AB	A
	mm	mm	mm	mm	mm	mm	mm	mm	mm	mm	mm	mm	mm

1DK1 (Z ventilation), sleeve bearing

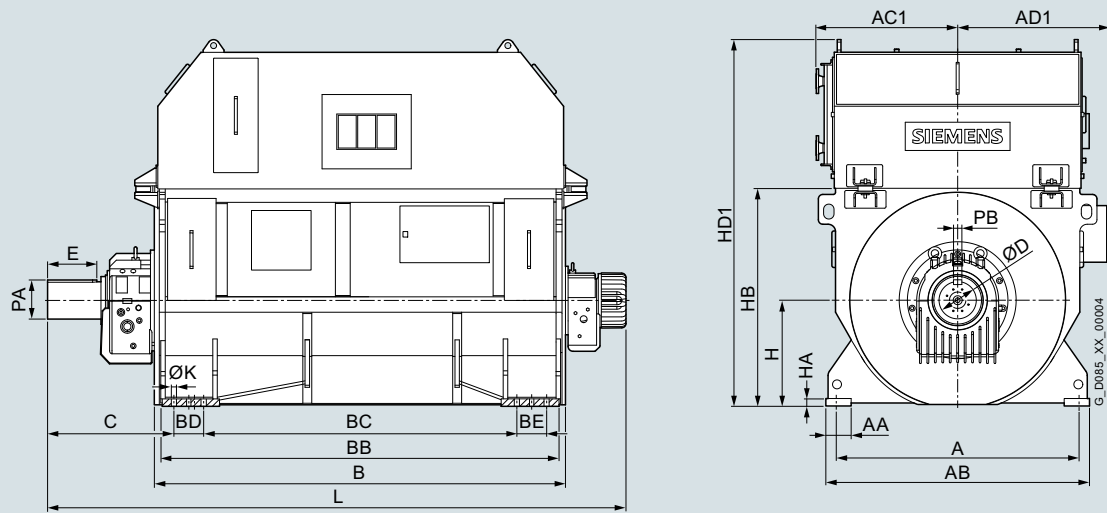
8-pole, 3.3 kV, 50 Hz

1DK1082-0TE08-0NA2	180	240	45	190	2816	1815	1745	1450	-	-	831	1340	1200
1DK1082-1AE08-0NA2	190	280	45	200	2826	1815	1745	1450	-	-	831	1340	1200
1DK1082-1EE08-0NA2	190	280	45	210	3026	2015	1945	1650	-	-	831	1340	1200
1DK1102-0TE08-0NA2	210	280	50	227	3579	2390	2280	1935	-	-	934	1670	1520
1DK1102-0WE08-0NA2	210	280	50	227	3579	2390	2280	1935	-	-	934	1670	1520
1DK1102-1AE08-0NA2	230	330	50	247	3629	2390	2280	1935	-	-	984	1670	1520
1DK1102-1DE08-0NA2	230	330	50	247	3629	2390	2280	1935	-	-	984	1670	1520
1DK1102-1JE08-0NA2	240	330	56	260	3629	2390	2280	1935	-	-	984	1670	1520
1DK1102-1PE08-0NA2	240	330	56	260	3874	2635	2525	2180	-	-	984	1670	1520
1DK1122-1FE08-0NA2	260	330	56	272	3505	2460	2370	1812	200	200	875	1770	1630

Article No. (repeated)	Dimensions								Weight
	HA	AA	H	HB	HD ₁	AC ₁	AD ₁	Ø K	
	mm	mm	mm	mm	mm	mm	mm	mm	kg

8-pole, 3.3 kV, 50 Hz

1DK1082-0TE08-0NA2	45	150	560	1170	2323	720	720	48	7657
1DK1082-1AE08-0NA2	45	150	560	1170	2323	720	720	48	8529
1DK1082-1EE08-0NA2	45	150	560	1170	2323	720	720	48	9226
1DK1102-0TE08-0NA2	45	170	630	1300	2270	855	950	48	11078
1DK1102-0WE08-0NA2	45	170	630	1300	2270	855	950	48	11576
1DK1102-1AE08-0NA2	45	170	630	1300	2470	855	950	48	12120
1DK1102-1DE08-0NA2	45	170	630	1300	2470	855	950	48	12772
1DK1102-1JE08-0NA2	45	170	630	1300	2470	855	950	48	13638
1DK1102-1PE08-0NA2	45	170	630	1300	2470	855	950	48	14851
1DK1122-1FE08-0NA2	50	170	710	1460	2425	940	1020	39	14964

Dimensional drawings (continued)


Article No.	Dimensions												
	Ø D	E	PB	PA	L	B	BB	BC	BD	BE	C	AB	A
	mm	mm	mm	mm	mm	mm	mm	mm	mm	mm	mm	mm	mm

1DK1 (Z ventilation), sleeve bearing

8-pole, 3.3 kV, 50 Hz (continued)

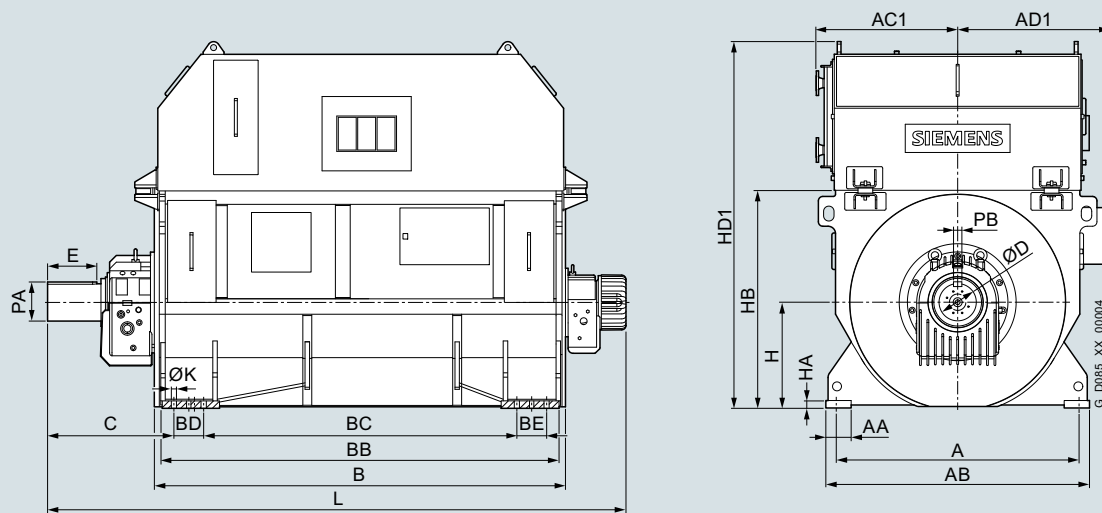
1DK1122-1JE08-0NA2	270	380	63	282	3845	2750	2660	2102	200	200	925	1770	1630
1DK1122-1PE08-0NA2	280	380	63	292	3845	2750	2660	2102	200	200	925	1770	1630
1DK1122-1VE08-0NA2	280	380	63	292	4019	2924	2834	2276	200	200	925	1770	1630
1DK1122-2CE08-0NA2	280	380	63	292	4019	2924	2834	2276	200	200	925	1770	1630
1DK1142-1JE08-0NA2	320	380	70	334	3817	2586	2491	1696	400	365	1065	1970	1830
1DK1142-1LE08-0NA2	330	450	70	344	3887	2586	2491	1696	400	365	1135	1970	1830
1DK1142-1PE08-0NA2	330	450	70	344	4119	2818	2723	1928	400	365	1135	1970	1830
1DK1142-1TE08-0NA2	330	450	70	344	4119	2818	2723	1928	400	365	1135	1970	1830
1DK1142-1XE08-0NA2	340	450	80	355	4351	3050	2955	2160	400	365	1135	1970	1830
1DK1142-2EE08-0NA2	350	450	80	365	4351	3050	2955	2160	400	365	1135	1970	1830

Article No. (repeated)	Dimensions								Weight
	HA	AA	H	HB	HD ₁	AC ₁	AD ₁	Ø K	
	mm	mm	mm	mm	mm	mm	mm	mm	kg
8-pole, 3.3 kV, 50 Hz									
1DK1122-1JE08-0NA2	50	170	710	1460	2561	940	1020	39	16207
1DK1122-1PE08-0NA2	50	170	710	1460	2561	940	1020	39	17336
1DK1122-1VE08-0NA2	50	170	710	1460	2561	940	1020	39	18921
1DK1122-2CE08-0NA2	50	170	710	1460	2561	940	1020	39	20329
1DK1142-1JE08-0NA2	60	200	800	1630	3155	1050	1825	39	22435
1DK1142-1LE08-0NA2	60	200	800	1630	3325	1050	1825	39	22991
1DK1142-1PE08-0NA2	60	200	800	1630	3464	1050	1825	39	24389
1DK1142-1TE08-0NA2	60	200	800	1630	3464	1050	1825	39	25335
1DK1142-1XE08-0NA2	60	200	800	1630	3464	1050	1825	39	26788
1DK1142-2EE08-0NA2	60	200	800	1630	3464	1050	1825	39	28335

Technical data

Industrial/Marine applications

IC81W cooling method

Dimensional drawings (continued)

Article No.	Dimensions												
	Ø D	E	PB	PA	L	B	BB	BC	BD	BE	C	AB	A
	mm	mm	mm	mm	mm	mm	mm	mm	mm	mm	mm	mm	mm

1DK1 (Z ventilation), sleeve bearing

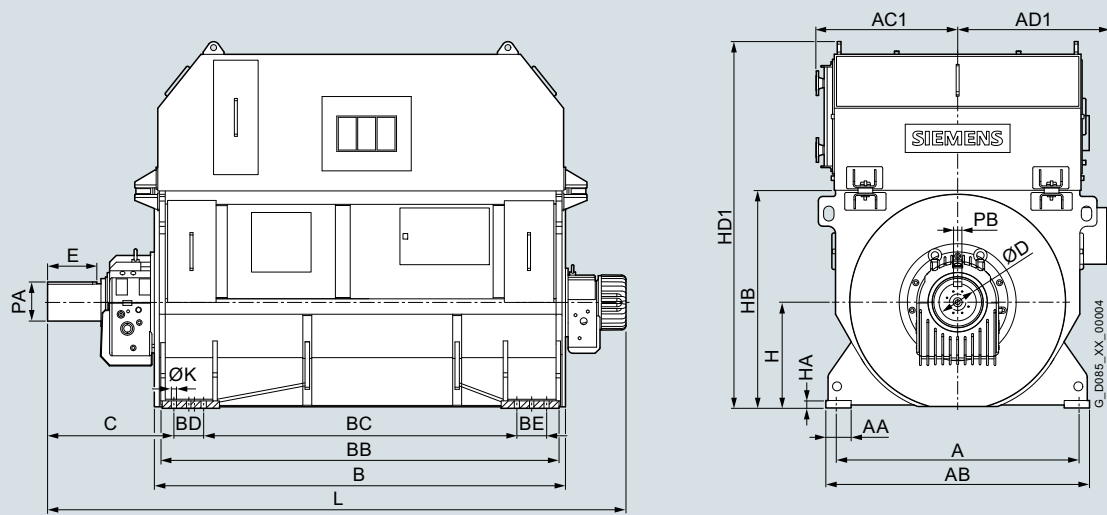
10-pole, 3.3 kV, 50 Hz

1DK1102-0SE10-0NA2	210	280	50	227	3579	2390	2280	1935	-	-	934	1670	1520
1DK1102-0VE10-0NA2	210	280	50	227	3579	2390	2280	1935	-	-	934	1670	1520
1DK1102-0YE10-0NA2	220	280	50	237	3579	2390	2280	1935	-	-	934	1670	1520
1DK1102-1EE10-0NA2	230	330	50	247	3629	2390	2280	1935	-	-	984	1670	1520
1DK1102-1ME10-0NA2	240	330	56	260	3629	2390	2280	1935	-	-	984	1670	1520
1DK1102-1RE10-0NA2	250	330	56	260	3874	2635	2525	2180	-	-	984	1670	1520

Article No. (repeated)	Dimensions									Weight
	HA	AA	H	HB	HD ₁	AC ₁	AD ₁	Ø K	kg	
	mm	mm	mm	mm	mm	mm	mm	mm		

10-pole, 3.3 kV, 50 Hz

1DK1102-0SE10-0NA2	45	170	630	1300	2270	855	950	48	10683
1DK1102-0VE10-0NA2	45	170	630	1300	2270	855	950	48	11192
1DK1102-0YE10-0NA2	45	170	630	1300	2270	855	950	48	11681
1DK1102-1EE10-0NA2	45	170	630	1300	2270	855	950	48	12497
1DK1102-1ME10-0NA2	45	170	630	1300	2470	855	950	48	13705
1DK1102-1RE10-0NA2	45	170	630	1300	2470	855	950	48	14813

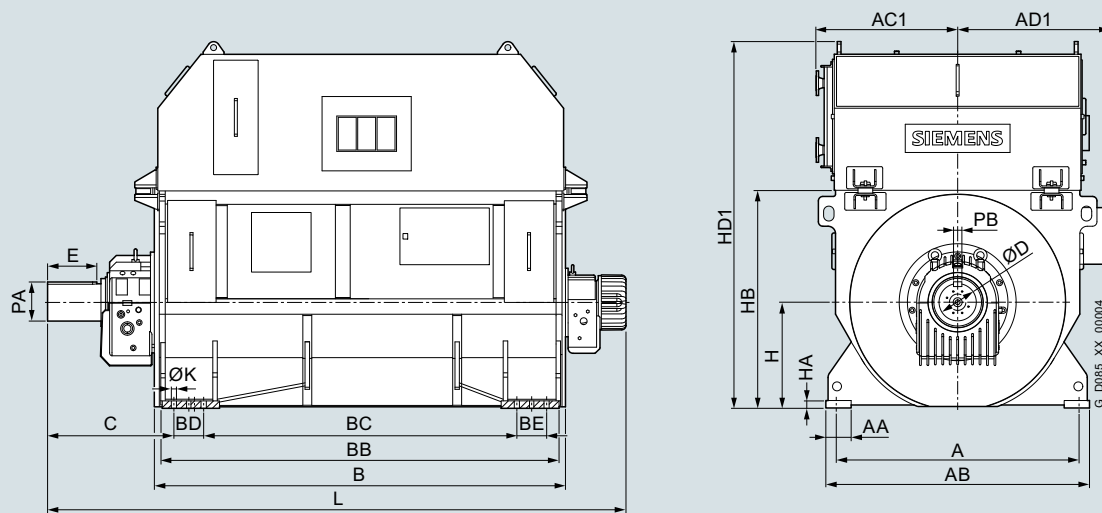
Dimensional drawings (continued)


Article No.	Dimensions												
	Ø D	E	PB	PA	L	B	BB	BC	BD	BE	C	AB	A
	mm	mm	mm	mm	mm	mm	mm	mm	mm	mm	mm	mm	mm
1DK1 (Z ventilation), sleeve bearing													
10-pole, 3.3 kV, 50 Hz (continued)													
1DK1122-1JE10-0NA2	260	330	56	272	3505	2460	2370	1812	200	200	875	1770	1630
1DK1122-1ME10-0NA2	280	380	63	292	3845	2750	2660	2102	200	200	925	1770	1630
1DK1122-1SE10-0NA2	280	380	63	292	3845	2750	2660	2102	200	200	925	1770	1630
1DK1122-1YE10-0NA2	280	380	63	292	4019	2924	2834	2276	200	200	925	1770	1630
1DK1142-1LE10-0NA2	310	380	70	324	3817	2586	2491	1696	400	365	1065	1970	1830
1DK1142-1TE10-0NA2	330	450	70	344	4119	2818	2723	1928	400	365	1135	1970	1830
1DK1142-1XE10-0NA2	340	450	80	355	4351	3050	2955	2160	400	365	1135	1970	1830
1DK1142-2EE10-0NA2	340	450	80	355	4351	3050	2955	2160	400	365	1135	1970	1830

Article No. (repeated)	Dimensions								Weight
	HA	AA	H	HB	HD ₁	AC ₁	AD ₁	Ø K	
	mm	mm	mm	mm	mm	mm	mm	mm	kg
10-pole, 3.3 kV, 50 Hz									
1DK1122-1JE10-0NA2	50	170	710	1460	2561	940	1020	39	15982
1DK1122-1ME10-0NA2	50	170	710	1460	2561	940	1020	39	16783
1DK1122-1SE10-0NA2	50	170	710	1460	2561	940	1020	39	17899
1DK1122-1YE10-0NA2	50	170	710	1460	2561	940	1020	39	19654
1DK1142-1LE10-0NA2	60	200	800	1630	3155	1050	1825	39	23098
1DK1142-1TE10-0NA2	60	200	800	1630	3121	1050	1825	39	25101
1DK1142-1XE10-0NA2	60	200	800	1630	3121	1050	1825	39	26776
1DK1142-2EE10-0NA2	60	200	800	1630	3121	1050	1825	39	28168

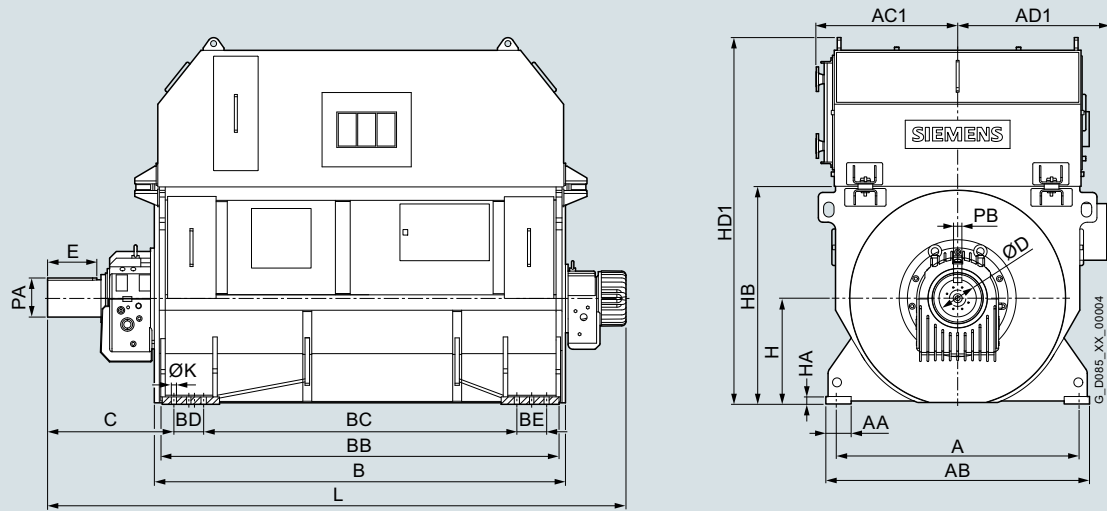
Technical data

Industrial/Marine applications

IC81W cooling method**Dimensional drawings** (continued)

Article No.	Dimensions												
	Ø D mm	E mm	PB mm	PA mm	L mm	B mm	BB mm	BC mm	BD mm	BE mm	C mm	AB mm	A mm
1DK1 (Z ventilation), sleeve bearing													
12-pole, 3.3 kV, 50 Hz													
1DK1122-1AE12-0NA2	240	330	56	252	3505	2460	2370	1812	200	200	875	1770	1630
1DK1122-1DE12-0NA2	250	330	56	262	3505	2460	2370	1812	200	200	875	1770	1630
1DK1122-1GE12-0NA2	260	330	56	272	3505	2460	2370	1812	200	200	875	1770	1630
1DK1122-1RE12-0NA2	280	380	63	292	3845	2750	2660	2102	200	200	925	1770	1630
1DK1122-1VE12-0NA2	280	380	63	292	3845	2750	2660	2102	200	200	925	1770	1630
1DK1142-1JE12-0NA2	300	380	70	314	3817	2586	2491	1696	400	365	1065	1970	1830
1DK1142-1NE12-0NA2	320	380	70	334	3817	2586	2491	1696	400	365	1065	1970	1830
1DK1142-1SE12-0NA2	330	450	70	344	4119	2818	2723	1928	400	365	1135	1970	1830
1DK1142-1XE12-0NA2	330	450	70	344	4351	3050	2955	2160	400	365	1135	1970	1830

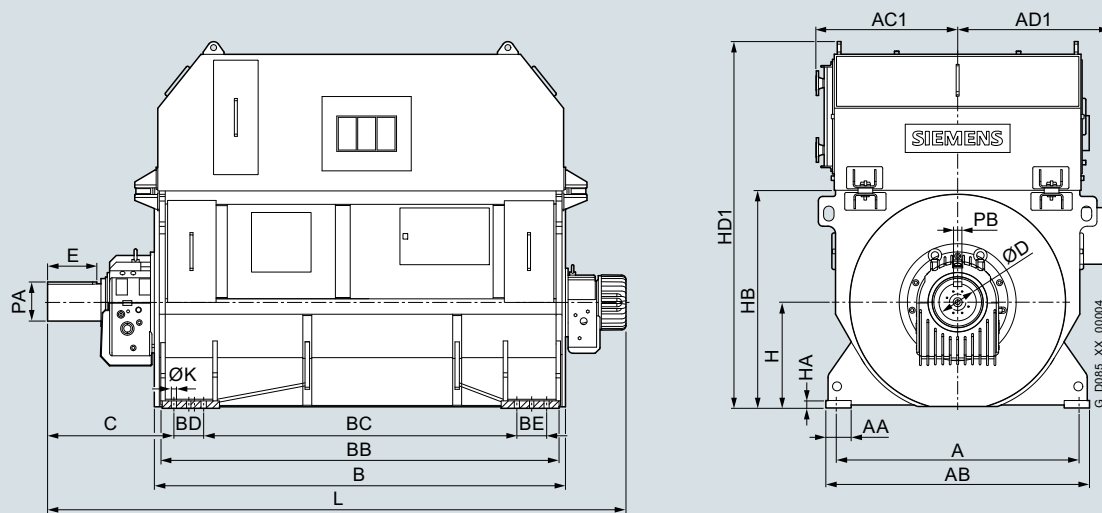
Article No. (repeated)	Dimensions								Weight kg
	HA mm	AA mm	H mm	HB mm	HD ₁ mm	AC ₁ mm	AD ₁ mm	Ø K mm	
12-pole, 3.3 kV, 50 Hz									
1DK1122-1AE12-0NA2	50	170	710	1460	2425	940	1020	39	13717
1DK1122-1DE12-0NA2	50	170	710	1460	2425	940	1020	39	14341
1DK1122-1GE12-0NA2	50	170	710	1460	2425	940	1020	39	14994
1DK1122-1RE12-0NA2	50	170	710	1460	2561	940	1020	39	17604
1DK1122-1VE12-0NA2	50	170	710	1460	2561	940	1020	39	18387
1DK1142-1JE12-0NA2	60	200	800	1630	3155	1050	1825	39	22838
1DK1142-1NE12-0NA2	60	200	800	1630	3155	1050	1825	39	23770
1DK1142-1SE12-0NA2	60	200	800	1630	3121	1050	1825	39	25187
1DK1142-1XE12-0NA2	60	200	800	1630	3121	1050	1825	39	26909

Dimensional drawings (continued)


Article No.	Dimensions												
	Ø D mm	E mm	PB mm	PA mm	L mm	B mm	BB mm	BC mm	BD mm	BE mm	C mm	AB mm	A mm
1DK1 (Z ventilation), sleeve bearing													
14-pole, 3.3 kV, 50 Hz													
1DK1142-1GE14-0NA2	290	380	63	302	3817	2586	2491	1696	400	365	1065	1970	1830
1DK1142-1NE14-0NA2	300	380	70	314	3817	2586	2491	1696	400	365	1065	1970	1830
1DK1142-1XE14-0NA2	320	380	70	334	4281	3050	2955	2160	400	365	1065	1970	1830
1DK1142-2CE14-0NA2	330	450	70	344	4351	3050	2955	2160	400	365	1135	1970	1830
Article No. (repeated)	Dimensions									Weight kg			
	HA mm	AA mm	H mm	HB mm	HD ₁ mm	AC ₁ mm	AD ₁ mm	Ø K mm					
14-pole, 3.3 kV, 50 Hz													
1DK1142-1GE14-0NA2	60	200	800	1630	3155	1050	1825	39	22257				
1DK1142-1NE14-0NA2	60	200	800	1630	3155	1050	1825	39	23856				
1DK1142-1XE14-0NA2	60	200	800	1630	3121	1050	1825	39	26890				
1DK1142-2CE14-0NA2	60	200	800	1630	3121	1050	1825	39	27898				

Technical data

Industrial/Marine applications

IC81W cooling method**Dimensional drawings**

Article No.	Dimensions												
	Ø D	E	PB	PA	L	B	BB	BC	BD	BE	C	AB	A
	mm	mm	mm	mm	mm	mm	mm	mm	mm	mm	mm	mm	mm

1DK1 (Z ventilation), sleeve bearing

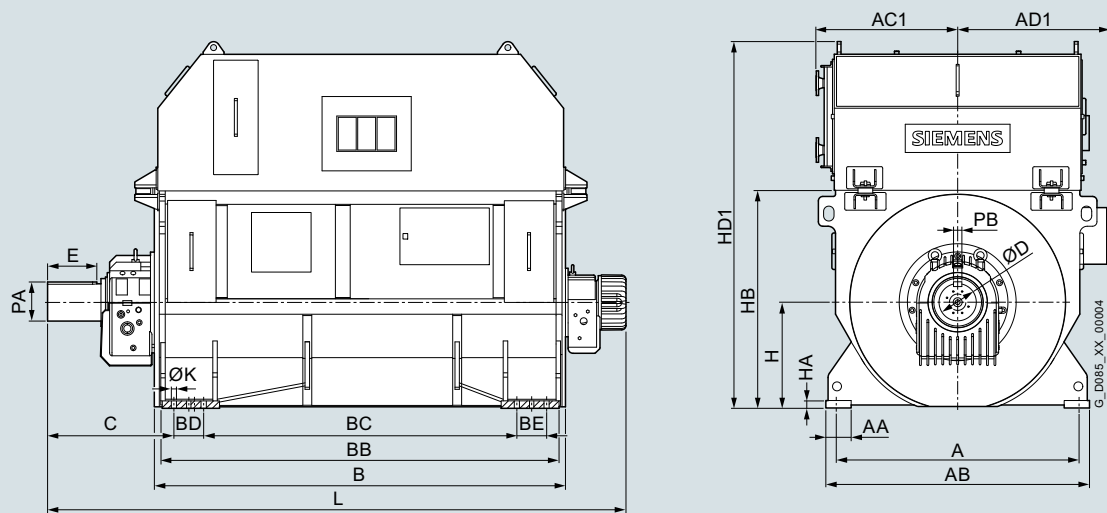
4-pole, 4.16 kV, 60 Hz

1DK1082-ORF04-0NA2	180	240	45	190	2785	1815	1745	1450	-	-	800	1340	1200
1DK1082-OTF04-0NA2	180	240	45	190	2785	1815	1745	1450	-	-	800	1340	1200
1DK1082-OWF04-0NA2	180	240	45	190	2985	2015	1945	1650	-	-	800	1340	1200
1DK1082-1AF04-0NA2	190	280	45	200	2995	2015	1945	1650	-	-	800	1340	1200

Article No. (repeated)	Dimensions									Weight
	HA	AA	H	HB	HD ₁	AC ₁	AD ₁	Ø K	kg	
	mm	mm	mm	mm	mm	mm	mm	mm		

4-pole, 4.16 kV, 60 Hz

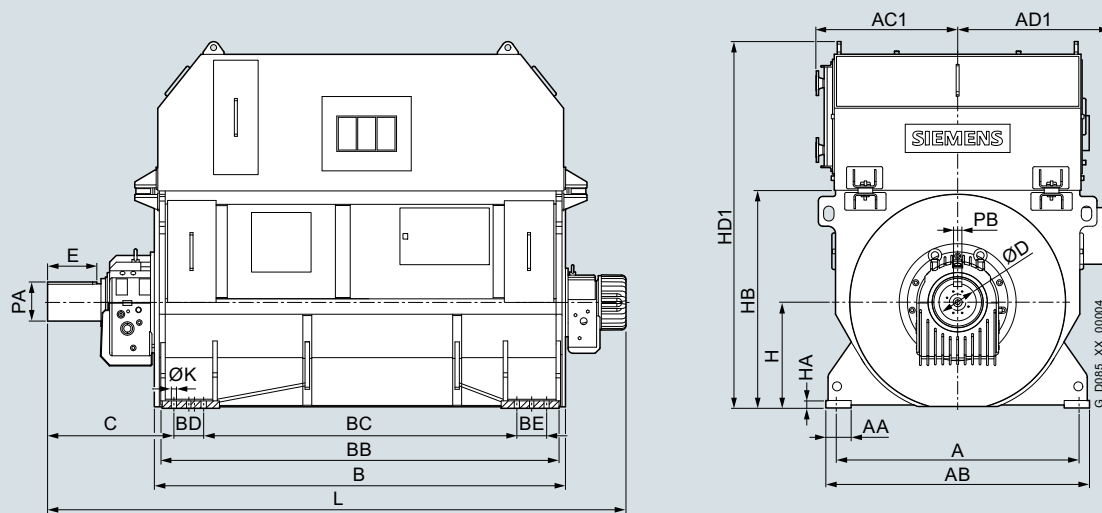
1DK1082-ORF04-0NA2	45	150	560	1170	2473	720	720	48	7480
1DK1082-OTF04-0NA2	45	150	560	1170	2473	720	720	48	7756
1DK1082-OWF04-0NA2	45	150	560	1170	2473	720	720	48	8385
1DK1082-1AF04-0NA2	45	150	560	1170	2473	720	720	48	8825

Dimensional drawings (continued)


Article No.	Dimensions												
	Ø D mm	E mm	PB mm	PA mm	L mm	B mm	BB mm	BC mm	BD mm	BE mm	C mm	AB mm	A mm
1DK1 (Z ventilation), sleeve bearing													
6-pole, 4.16 kV, 60 Hz													
1DK1082-0UF06-0NA2	180	240	45	190	2816	1815	1745	1450	–	–	831	1340	1200
1DK1082-1AF06-0NA2	190	280	45	200	3016	2015	1945	1650	–	–	831	1340	1200
1DK1082-1GF06-0NA2	190	280	45	210	3026	2015	1945	1650	–	–	831	1340	1200
Article No. (repeated)	Dimensions									Weight kg			
	HA mm	AA mm	H mm	HB mm	HD ₁ mm	AC ₁ mm	AD ₁ mm	Ø K mm					
6-pole, 4.16 kV, 60 Hz													
1DK1082-0UF06-0NA2	45	150	560	1170	2273	720	720	48	7788				
1DK1082-1AF06-0NA2	45	150	560	1170	2273	720	720	48	8703				
1DK1082-1GF06-0NA2	45	150	560	1170	2273	720	720	48	9495				

Technical data

Industrial/Marine applications

IC81W cooling method**Dimensional drawings (continued)**

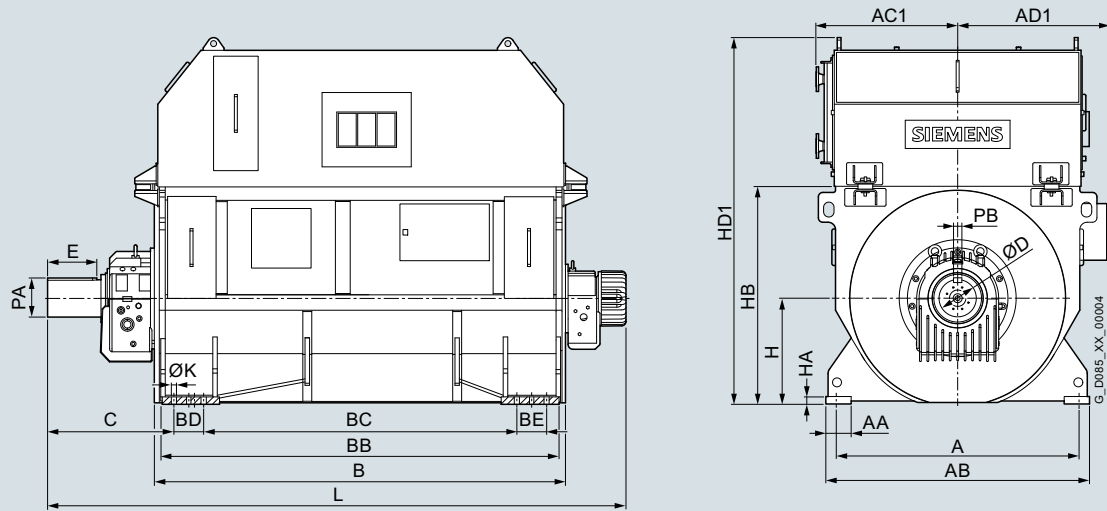
Article No.	Dimensions												
	Ø D	E	PB	PA	L	B	BB	BC	BD	BE	C	AB	A
	mm	mm	mm	mm	mm	mm	mm	mm	mm	mm	mm	mm	mm

1DK1 (Z ventilation), sleeve bearing

6-pole, 4.16 kV, 60 Hz (continued)

1DK1102-0VF06-0NA2	210	280	50	227	3579	2390	2280	1935	-	-	934	1670	1520
1DK1102-0YF06-0NA2	220	280	50	237	3579	2390	2280	1935	-	-	934	1670	1520
1DK1102-1CF06-0NA2	230	330	50	247	3629	2390	2280	1935	-	-	984	1670	1520
1DK1102-1HF06-0NA2	230	330	50	260	3629	2390	2280	1935	-	-	984	1670	1520
1DK1102-1NF06-0NA2	240	330	56	260	3874	2635	2525	2180	-	-	984	1670	1520
1DK1122-1DF06-0NA2	250	330	56	262	3505	2460	2370	1812	200	200	885	1770	1630
1DK1122-1KF06-0NA2	280	380	63	292	3845	2750	2660	2102	200	200	935	1770	1630
1DK1122-1TF06-0NA2	280	380	63	292	4019	2924	2834	2276	200	200	935	1770	1630
1DK1142-1FF06-0NA2	300	380	70	314	3817	2586	2491	1696	400	365	1065	1970	1830
1DK1142-1KF06-0NA2	320	380	70	334	3817	2586	2491	1696	400	365	1065	1970	1830
1DK1142-1PF06-0NA2	330	450	70	344	4119	2818	2723	1928	400	365	1135	1970	1830
1DK1142-1VF06-0NA2	340	450	80	355	4119	2818	2723	1928	400	365	1135	1970	1830

Article No. (repeated)	Dimensions								Weight
	HA	AA	H	HB	HD ₁	AC ₁	AD ₁	Ø K	
	mm	mm	mm	mm	mm	mm	mm	mm	kg
6-pole, 4.16 kV, 60 Hz									
1DK1102-0VF06-0NA2	45	170	630	1300	2470	855	950	48	11663
1DK1102-0YF06-0NA2	45	170	630	1300	2470	855	950	48	12101
1DK1102-1CF06-0NA2	45	170	630	1300	2470	855	950	48	12660
1DK1102-1HF06-0NA2	45	170	630	1300	2470	855	950	48	13419
1DK1102-1NF06-0NA2	45	170	630	1300	2470	855	950	48	14698
1DK1122-1DF06-0NA2	50	170	710	1460	2799	940	1020	39	14994
1DK1122-1KF06-0NA2	50	170	710	1460	2833	940	1020	39	16930
1DK1122-1TF06-0NA2	50	170	710	1460	2833	940	1020	39	19057
1DK1142-1FF06-0NA2	60	200	800	1630	3325	1050	1825	39	21945
1DK1142-1KF06-0NA2	60	200	800	1630	3325	1050	1825	39	22939
1DK1142-1PF06-0NA2	60	200	800	1630	3464	1050	1825	39	24629
1DK1142-1VF06-0NA2	60	200	800	1630	3464	1050	1825	39	26075

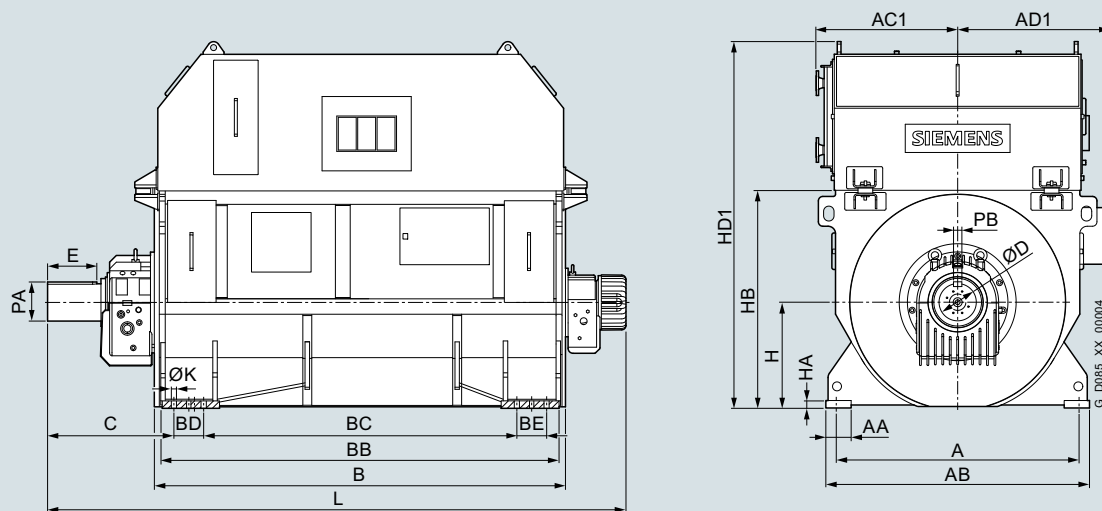
Dimensional drawings (continued)


Article No.	Dimensions												
	Ø D	E	PB	PA	L	B	BB	BC	BD	BE	C	AB	A
	mm	mm	mm	mm	mm	mm	mm	mm	mm	mm	mm	mm	mm
1DK1 (Z ventilation), sleeve bearing													
8-pole, 4.16 kV, 60 Hz													
1DK1082-0TF08-0NA2	180	240	45	190	2816	1815	1745	1450	–	–	831	1340	1200
1DK1082-1AF08-0NA2	190	280	45	210	3026	2015	1945	1650	–	–	831	1340	1200
1DK1082-1EF08-0NA2	190	280	45	210	3026	2015	1945	1650	–	–	831	1340	1200
1DK1102-0TF08-0NA2	210	280	50	227	3579	2390	2280	1935	–	–	934	1670	1520
1DK1102-0WF08-0NA2	220	280	50	237	3579	2390	2280	1935	–	–	934	1670	1520
1DK1102-1AF08-0NA2	230	330	50	247	3629	2390	2280	1935	–	–	984	1670	1520
1DK1102-1DF08-0NA2	230	330	50	247	3629	2390	2280	1935	–	–	984	1670	1520
1DK1102-1JF08-0NA2	240	330	56	260	3629	2390	2280	1935	–	–	984	1670	1520
1DK1102-1PF08-0NA2	250	330	56	270	3874	2635	2525	2180	–	–	984	1670	1520

Article No. (repeated)	Dimensions									Weight
	HA	AA	H	HB	HD ₁	AC ₁	AD ₁	Ø K	kg	
	mm	mm	mm	mm	mm	mm	mm	mm		
8-pole, 4.16 kV, 60 Hz										
1DK1082-0TF08-0NA2	45	150	560	1170	2323	720	720	48	7613	
1DK1082-1AF08-0NA2	45	150	560	1170	2323	720	720	48	8657	
1DK1082-1EF08-0NA2	45	150	560	1170	2323	720	720	48	9221	
1DK1102-0TF08-0NA2	45	170	630	1300	2470	855	950	48	11211	
1DK1102-0WF08-0NA2	45	170	630	1300	2470	855	950	48	11729	
1DK1102-1AF08-0NA2	45	170	630	1300	2470	855	950	48	12273	
1DK1102-1DF08-0NA2	45	170	630	1300	2470	855	950	48	12741	
1DK1102-1JF08-0NA2	45	170	630	1300	2470	855	950	48	13621	
1DK1102-1PF08-0NA2	45	170	630	1300	2470	855	950	48	14836	

Technical data

Industrial/Marine applications

IC81W cooling method**Dimensional drawings** (continued)

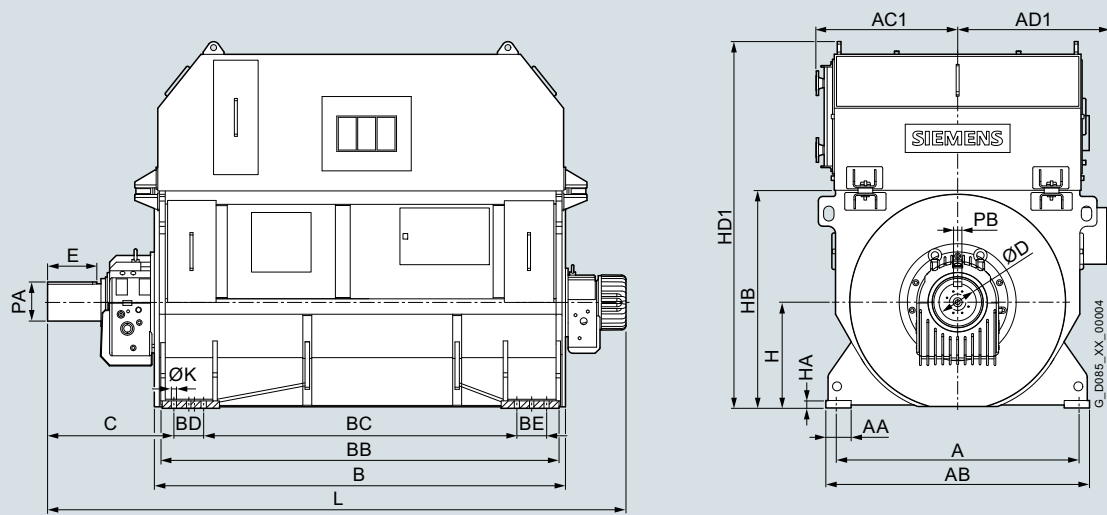
Article No.	Dimensions												
	Ø D	E	PB	PA	L	B	BB	BC	BD	BE	C	AB	A
	mm	mm	mm	mm	mm	mm	mm	mm	mm	mm	mm	mm	mm

1DK1 (Z ventilation), sleeve bearing

8-pole, 4.16 kV, 60 Hz (continued)

1DK1122-1FF08-0NA2	260	330	56	272	3505	2460	2370	1812	200	200	885	1770	1630
1DK1122-1JF08-0NA2	270	380	63	282	3845	2750	2660	2102	200	200	935	1770	1630
1DK1122-1PF08-0NA2	280	380	63	292	3845	2750	2660	2102	200	200	935	1770	1630
1DK1122-1VF08-0NA2	280	380	63	292	4019	2924	2834	2276	200	200	935	1770	1630
1DK1122-2CF08-0NA2	280	380	63	292	4019	2924	2834	2276	200	200	935	1770	1630
1DK1142-1JF08-0NA2	320	380	70	334	3817	2586	2491	1696	400	365	1065	1970	1830
1DK1142-1LF08-0NA2	330	450	70	344	3887	2586	2491	1696	400	365	1135	1970	1830
1DK1142-1PF08-0NA2	330	450	70	344	4119	2818	2723	1928	400	365	1135	1970	1830
1DK1142-1TF08-0NA2	340	450	80	355	4119	2818	2723	1928	400	365	1135	1970	1830
1DK1142-1XF08-0NA2	340	450	80	355	4351	3050	2955	2160	400	365	1135	1970	1830
1DK1142-2EF08-0NA2	350	450	80	365	4351	3050	2955	2160	400	365	1135	1970	1830

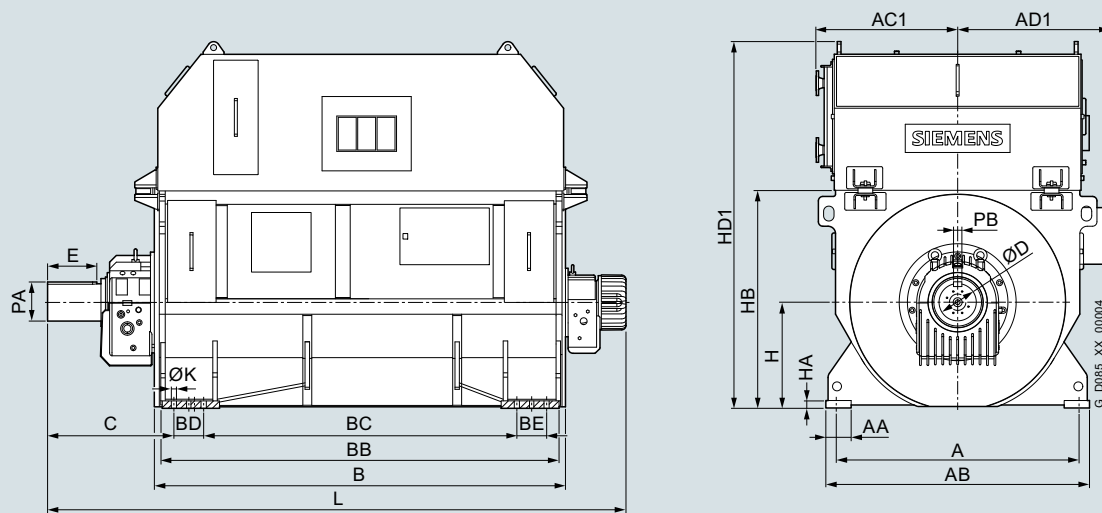
Article No. (repeated)	Dimensions								Weight
	HA	AA	H	HB	HD ₁	AC ₁	AD ₁	Ø K	
	mm	mm	mm	mm	mm	mm	mm	mm	kg
8-pole, 4.16 kV, 60 Hz									
1DK1122-1FF08-0NA2	50	170	710	1460	2425	940	1020	39	15068
1DK1122-1JF08-0NA2	50	170	710	1460	2561	940	1020	39	16449
1DK1122-1PF08-0NA2	50	170	710	1460	2561	940	1020	39	17415
1DK1122-1VF08-0NA2	50	170	710	1460	2833	940	1020	39	19138
1DK1122-2CF08-0NA2	50	170	710	1460	2833	940	1020	39	20410
1DK1142-1JF08-0NA2	60	200	800	1630	3325	1050	1825	39	22458
1DK1142-1LF08-0NA2	60	200	800	1630	3325	1050	1825	39	23002
1DK1142-1PF08-0NA2	60	200	800	1630	3464	1050	1825	39	24327
1DK1142-1TF08-0NA2	60	200	800	1630	3464	1050	1825	39	25306
1DK1142-1XF08-0NA2	60	200	800	1630	3464	1050	1825	39	26838
1DK1142-2EF08-0NA2	60	200	800	1630	3464	1050	1825	39	28336

Dimensional drawings (continued)


Article No.	Dimensions												
	Ø D mm	E mm	PB mm	PA mm	L mm	B mm	BB mm	BC mm	BD mm	BE mm	C mm	AB mm	A mm
1DK1 (Z ventilation), sleeve bearing													
10-pole, 4.16 kV, 60 Hz													
1DK1102-OSF10-0NA2	210	280	56	270	3824	2635	2280	2180	–	–	934	1670	1520
1DK1102-0VF10-0NA2	210	280	50	227	3579	2390	2280	1935	–	–	934	1670	1520
1DK1102-0YF10-0NA2	230	330	50	237	3629	2390	2280	1935	–	–	984	1670	1520
1DK1102-1EF10-0NA2	240	330	56	247	3629	2390	2280	1935	–	–	984	1670	1520
1DK1102-1MF10-0NA2	240	330	56	260	3629	2390	2280	1935	–	–	984	1670	1520
1DK1102-1RF10-0NA2	250	330	56	270	3874	2635	2525	2180	–	–	984	1670	1520
Article No. (repeated)	Dimensions									Weight kg			
	HA mm	AA mm	H mm	HB mm	HD ₁ mm	AC ₁ mm	AD ₁ mm	Ø K mm					
10-pole, 4.16 kV, 60 Hz													
1DK1102-OSF10-0NA2	45	170	630	1300	2470	855	950	48	10697				
1DK1102-0VF10-0NA2	45	170	630	1300	2270	855	950	48	11216				
1DK1102-0YF10-0NA2	45	170	630	1300	2470	855	950	48	11838				
1DK1102-1EF10-0NA2	45	170	630	1300	2470	855	950	48	12678				
1DK1102-1MF10-0NA2	45	170	630	1300	2470	855	950	48	13805				
1DK1102-1RF10-0NA2	45	170	630	1300	2470	855	950	48	14827				

Technical data

Industrial/Marine applications

IC81W cooling method**Dimensional drawings** (continued)

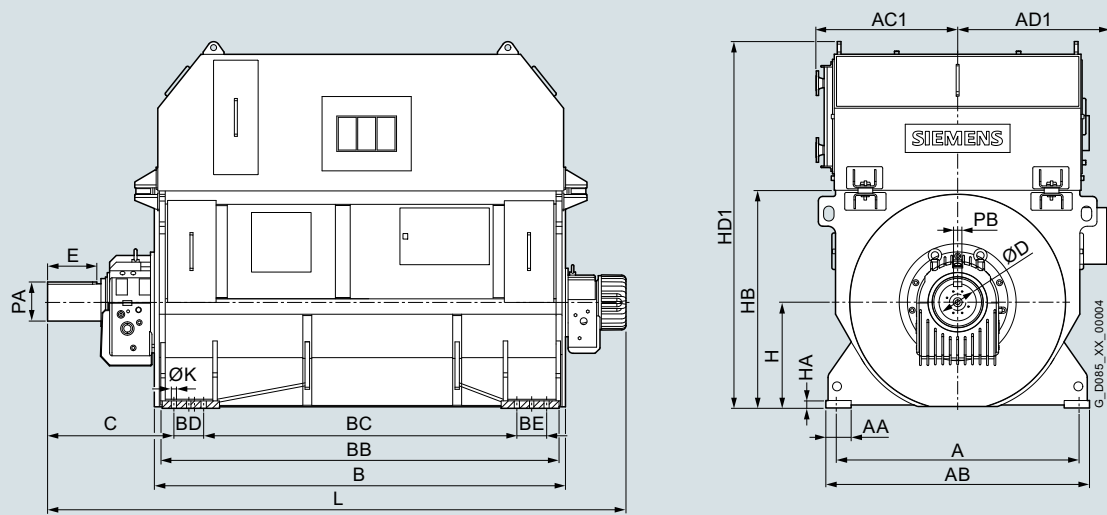
Article No.	Dimensions												
	Ø D	E	PB	PA	L	B	BB	BC	BD	BE	C	AB	A
	mm	mm	mm	mm	mm	mm	mm	mm	mm	mm	mm	mm	mm

1DK1 (Z ventilation), sleeve bearing

10-pole, 4.16 kV, 60 Hz (continued)

1DK1122-1JF10-0NA2	260	330	56	272	3505	2460	2370	1812	200	200	875	1770	1630
1DK1122-1MF10-0NA2	280	380	63	292	3845	2750	2660	2102	200	200	925	1770	1630
1DK1122-1SF10-0NA2	280	380	63	292	3845	2750	2660	2102	200	200	925	1770	1630
1DK1122-1YF10-0NA2	280	380	63	292	4019	2924	2834	2276	200	200	925	1770	1630
1DK1142-1GF10-0NA2	300	380	70	314	3817	2586	2491	1696	400	365	1065	1970	1830
1DK1142-1LF10-0NA2	330	450	70	344	3887	2586	2491	1696	400	365	1135	1970	1830
1DK1142-1TF10-0NA2	330	450	70	344	4119	2818	2723	1928	400	365	1135	1970	1830
1DK1142-1XF10-0NA2	340	450	80	355	4351	3050	2955	2160	400	365	1135	1970	1830
1DK1142-2EF10-0NA2	340	450	80	355	4351	3050	2955	2160	400	365	1135	1970	1830

Article No. (repeated)	Dimensions								Weight
	HA	AA	H	HB	HD ₁	AC ₁	AD ₁	Ø K	
	mm	mm	mm	mm	mm	mm	mm	mm	kg
10-pole, 4.16 kV, 60 Hz									
1DK1122-1JF10-0NA2	50	170	710	1460	2561	940	1020	39	15983
1DK1122-1MF10-0NA2	50	170	710	1460	2561	940	1020	39	16953
1DK1122-1SF10-0NA2	50	170	710	1460	2561	940	1020	39	18016
1DK1122-1YF10-0NA2	50	170	710	1460	2561	940	1020	39	19666
1DK1142-1GF10-0NA2	60	200	800	1630	3155	1050	1825	39	22086
1DK1142-1LF10-0NA2	60	200	800	1630	3155	1050	1825	39	23122
1DK1142-1TF10-0NA2	60	200	800	1630	3121	1050	1825	39	25299
1DK1142-1XF10-0NA2	60	200	800	1630	3121	1050	1825	39	26655
1DK1142-2EF10-0NA2	60	200	800	1630	3121	1050	1825	39	28204

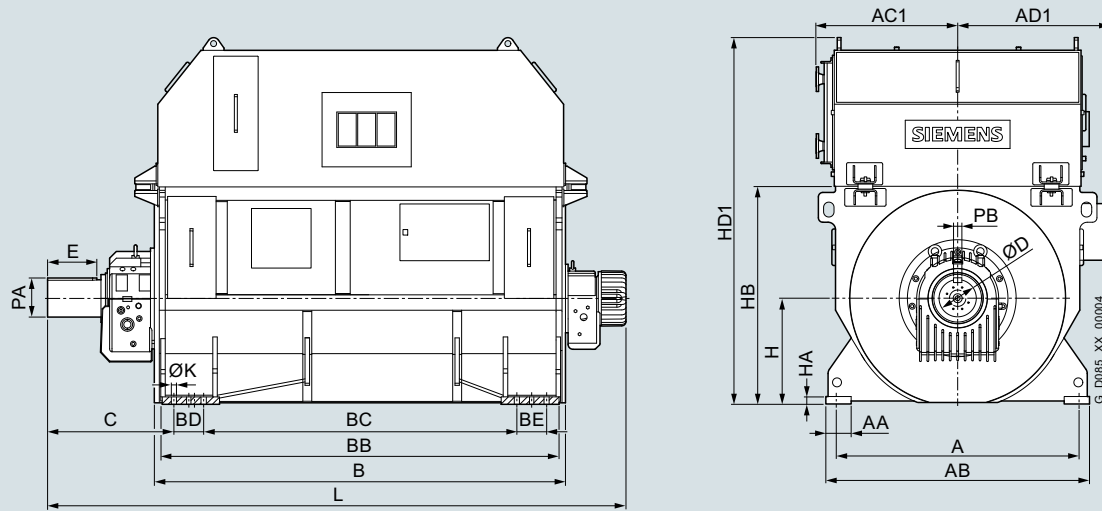
Dimensional drawings (continued)


Article No.	Dimensions												
	Ø D mm	E mm	PB mm	PA mm	L mm	B mm	BB mm	BC mm	BD mm	BE mm	C mm	AB mm	A mm
1DK1 (Z ventilation), sleeve bearing													
12-pole, 4.16 kV, 60 Hz													
1DK1122-1AF12-0NA2	250	330	56	262	3505	2460	2370	1812	200	200	875	1770	1630
1DK1122-1DF12-0NA2	250	330	56	262	3505	2460	2370	1812	200	200	875	1770	1630
1DK1122-1GF12-0NA2	260	330	56	272	3505	2460	2370	1812	200	200	875	1770	1630
1DK1122-1MF12-0NA2	280	380	63	292	3845	2750	2660	2102	200	200	925	1770	1630
1DK1122-1RF12-0NA2	280	380	63	292	3845	2750	2660	2102	200	200	925	1770	1630
1DK1122-1VF12-0NA2	280	380	63	292	3845	2750	2660	2102	200	200	925	1770	1630
1DK1142-1JF12-0NA2	300	380	70	314	3817	2586	2491	1696	400	365	1065	1970	1830
1DK1142-1NF12-0NA2	320	380	70	334	3817	2586	2491	1696	400	365	1065	1970	1830
1DK1142-1SF12-0NA2	330	450	70	344	4119	2818	2723	1928	400	365	1135	1970	1830
1DK1142-1XF12-0NA2	330	450	70	344	4351	3050	2955	2160	400	365	1135	1970	1830

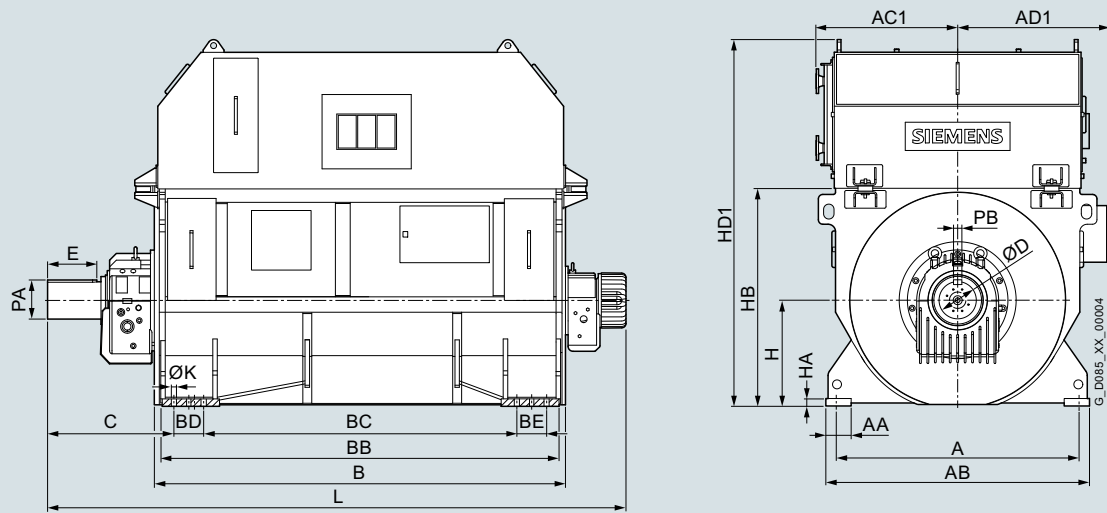
Article No. (repeated)	Dimensions								Weight kg
	HA mm	AA mm	H mm	HB mm	HD ₁ mm	AC ₁ mm	AD ₁ mm	Ø K mm	
12-pole, 4.16 kV, 60 Hz									
1DK1122-1AF12-0NA2	50	170	710	1460	2799	940	1020	39	14063
1DK1122-1DF12-0NA2	50	170	710	1460	2799	940	1020	39	14698
1DK1122-1GF12-0NA2	50	170	710	1460	2799	940	1020	39	15320
1DK1122-1MF12-0NA2	50	170	710	1460	2561	940	1020	39	16789
1DK1122-1RF12-0NA2	50	170	710	1460	2561	940	1020	39	17641
1DK1122-1VF12-0NA2	50	170	710	1460	2561	940	1020	39	18354
1DK1142-1JF12-0NA2	60	200	800	1630	3155	1050	1825	39	22754
1DK1142-1NF12-0NA2	60	200	800	1630	3155	1050	1825	39	23768
1DK1142-1SF12-0NA2	60	200	800	1630	3121	1050	1825	39	25206
1DK1142-1XF12-0NA2	60	200	800	1630	3121	1050	1825	39	26940

Technical data

Industrial/Marine applications

IC81W cooling method**Dimensional drawings** (continued)

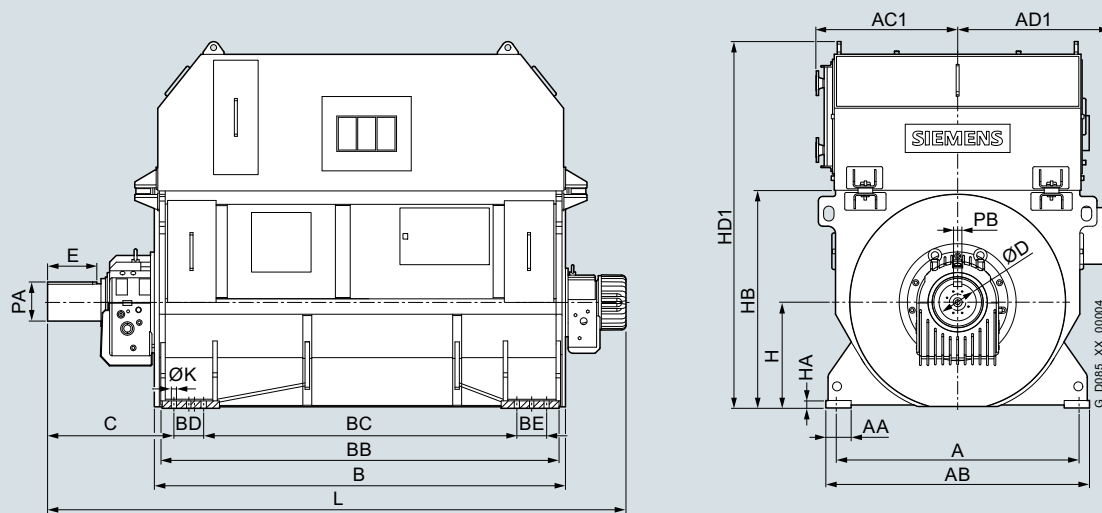
Article No.	Dimensions												
	Ø D mm	E mm	PB mm	PA mm	L mm	B mm	BB mm	BC mm	BD mm	BE mm	C mm	AB mm	A mm
1DK1 (Z ventilation), sleeve bearing													
14-pole, 4.16 kV, 60 Hz													
1DK1122-1DF14-0NA2	230	330	50	241	3505	2460	2370	1812	200	200	875	1770	1630
1DK1122-1JF14-0NA2	240	330	56	252	3505	2460	2370	1812	200	200	875	1770	1630
1DK1122-1RF14-0NA2	240	330	56	252	3795	2750	2660	2102	200	200	875	1770	1630
1DK1122-1XF14-0NA2	240	330	56	252	3795	2750	2660	2102	200	200	875	1770	1630
1DK1142-1GF14-0NA2	290	380	63	302	3817	2586	2491	1696	400	365	1065	1970	1830
1DK1142-1NF14-0NA2	300	380	70	314	3817	2586	2491	1696	400	365	1065	1970	1830
1DK1142-1XF14-0NA2	330	450	70	344	3887	2586	2491	1696	400	365	1135	1970	1830
Article No. (repeated)	Dimensions									Weight kg			
	HA mm	AA mm	H mm	HB mm	HD ₁ mm	AC ₁ mm	AD ₁ mm	Ø K mm					
14-pole, 4.16 kV, 60 Hz													
1DK1122-1DF14-0NA2	50	170	710	1460	2425	940	1020	39	14266				
1DK1122-1JF14-0NA2	50	170	710	1460	2425	940	1020	39	15284				
1DK1122-1RF14-0NA2	50	170	710	1460	2561	940	1020	39	17390				
1DK1122-1XF14-0NA2	50	170	710	1460	2561	940	1020	39	18455				
1DK1142-1GF14-0NA2	60	200	800	1630	3155	1050	1825	39	22341				
1DK1142-1NF14-0NA2	60	200	800	1630	3155	1050	1825	39	23791				
1DK1142-1XF14-0NA2	60	200	800	1630	3155	1050	1825	39	26034				

Dimensional drawings


Article No.	Dimensions												
	Ø D mm	E mm	PB mm	PA mm	L mm	B mm	BB mm	BC mm	BD mm	BE mm	C mm	AB mm	A mm
1DK1 (Z ventilation), sleeve bearing													
4-pole, 6.3 kV, 50 Hz													
1DK1082-0TH04-0NA2	180	240	45	190	2785	1815	1745	1450	–	–	800	1340	1200
1DK1082-0WH04-0NA2	180	240	45	190	2985	2015	1945	1650	–	–	800	1340	1200
1DK1082-1AH04-0NA2	180	240	45	190	2985	2015	1945	1650	–	–	800	1340	1200
1DK1082-1DH04-0NA2	190	280	45	200	2995	2015	1945	1650	–	–	800	1340	1200
Article No. (repeated)	Dimensions									Weight kg			
	HA mm	AA mm	H mm	HB mm	HD ₁ mm	AC ₁ mm	AD ₁ mm	Ø K mm					
4-pole, 6.3 kV, 50 Hz													
1DK1082-0TH04-0NA2	45	150	560	1170	2473	720	720	48	7730				
1DK1082-0WH04-0NA2	45	150	560	1170	2473	720	720	48	8341				
1DK1082-1AH04-0NA2	45	150	560	1170	2473	720	720	48	8748				
1DK1082-1DH04-0NA2	45	150	560	1170	2473	720	720	48	9176				

Technical data

Industrial/Marine applications

IC81W cooling method**Dimensional drawings** (continued)

Article No.	Dimensions												
	Ø D	E	PB	PA	L	B	BB	BC	BD	BE	C	AB	A
	mm	mm	mm	mm	mm	mm	mm	mm	mm	mm	mm	mm	mm

1DK1 (Z ventilation), sleeve bearing

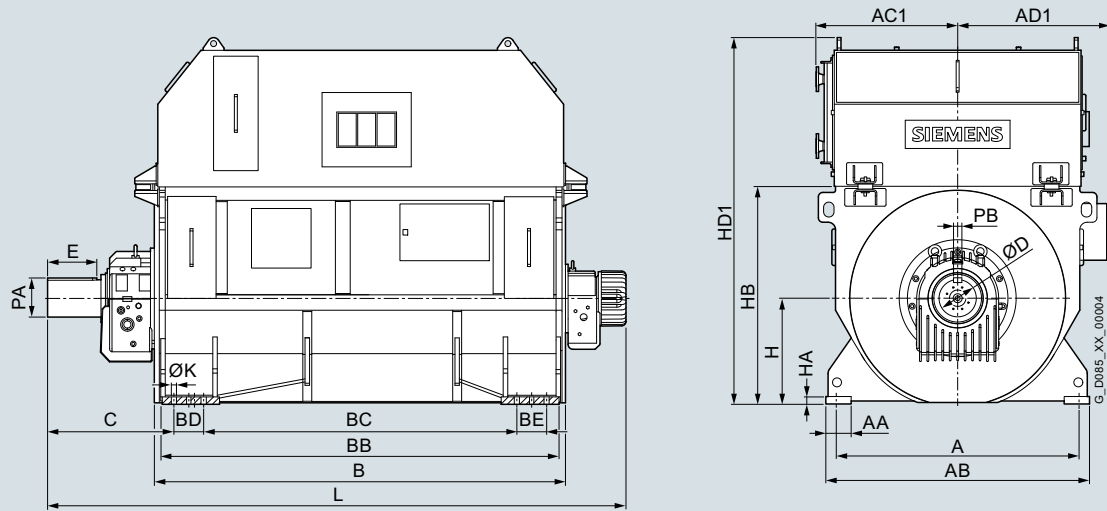
6-pole, 6.3 kV, 50 Hz

1DK1080-0UH06-0NA2	180	240	45	190	2816	1815	1745	1450	-	-	831	1340	1200
1DK1082-1AH06-0NA2	190	280	45	200	3016	2015	1945	1650	-	-	831	1340	1200
1DK1082-1GH06-0NA2	190	280	45	210	3026	2015	1945	1650	-	-	831	1340	1200
1DK1102-0VH06-0NA2	210	280	50	227	3579	2390	2280	1935	-	-	934	1670	1520
1DK1102-0YH06-0NA2	210	280	50	227	3579	2390	2280	1935	-	-	934	1670	1520
1DK1102-1CH06-0NA2	230	330	50	247	3629	2390	2280	1935	-	-	984	1670	1520
1DK1102-1HH06-0NA2	230	330	50	247	3629	2390	2280	1935	-	-	984	1670	1520
1DK1102-1NH06-0NA2	240	330	56	260	3874	2635	2525	2180	-	-	984	1670	1520

Article No. (repeated)	Dimensions								Weight
	HA	AA	H	HB	HD ₁	AC ₁	AD ₁	Ø K	
	mm	mm	mm	mm	mm	mm	mm	mm	kg

6-pole, 6.3 kV, 50 Hz

1DK1080-0UH06-0NA2	45	150	560	1170	2273	720	720	48	7724
1DK1082-1AH06-0NA2	45	150	560	1170	2273	720	720	48	8655
1DK1082-1GH06-0NA2	45	150	560	1170	2273	720	720	48	9438
1DK1102-0VH06-0NA2	45	170	630	1300	2470	855	950	48	11604
1DK1102-0YH06-0NA2	45	170	630	1300	2470	855	950	48	12072
1DK1102-1CH06-0NA2	45	170	630	1300	2470	855	950	48	12555
1DK1102-1HH06-0NA2	45	170	630	1300	2470	855	950	48	13387
1DK1102-1NH06-0NA2	45	170	630	1300	2470	855	950	48	14630

Dimensional drawings (continued)


Article No.	Dimensions												
	Ø D	E	PB	PA	L	B	BB	BC	BD	BE	C	AB	A
	mm	mm	mm	mm	mm	mm	mm	mm	mm	mm	mm	mm	mm

1DK1 (Z ventilation), sleeve bearing

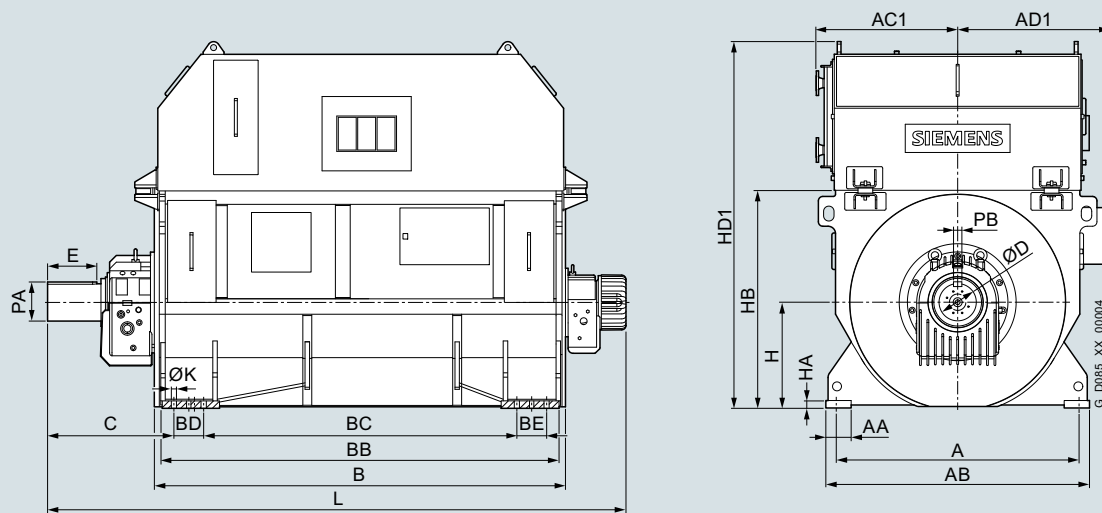
6-pole, 6.3 kV, 50 Hz (continued)

1DK1122-1DH06-0NA2	250	330	56	262	3505	2460	2370	1812	200	200	885	1770	1630
1DK1122-1KH06-0NA2	280	380	63	292	3845	2750	2660	2102	200	200	935	1770	1630
1DK1122-1TH06-0NA2	280	380	63	292	4019	2924	2834	2276	200	200	935	1770	1630
1DK1122-1WH06-0NA2	280	380	63	292	4019	2924	2834	2276	200	200	935	1770	1630
1DK1142-1KH06-0NA2	320	380	70	334	3817	2586	2491	1696	400	365	1065	1970	1830
1DK1142-1PH06-0NA2	330	450	70	344	4119	2818	2723	1928	400	365	1135	1970	1830
1DK1142-1VH06-0NA2	340	450	80	355	4119	2818	2723	1928	400	365	1135	1970	1830
1DK1142-2BH06-0NA2	340	450	80	355	4351	3050	2955	2160	400	365	1135	1970	1830

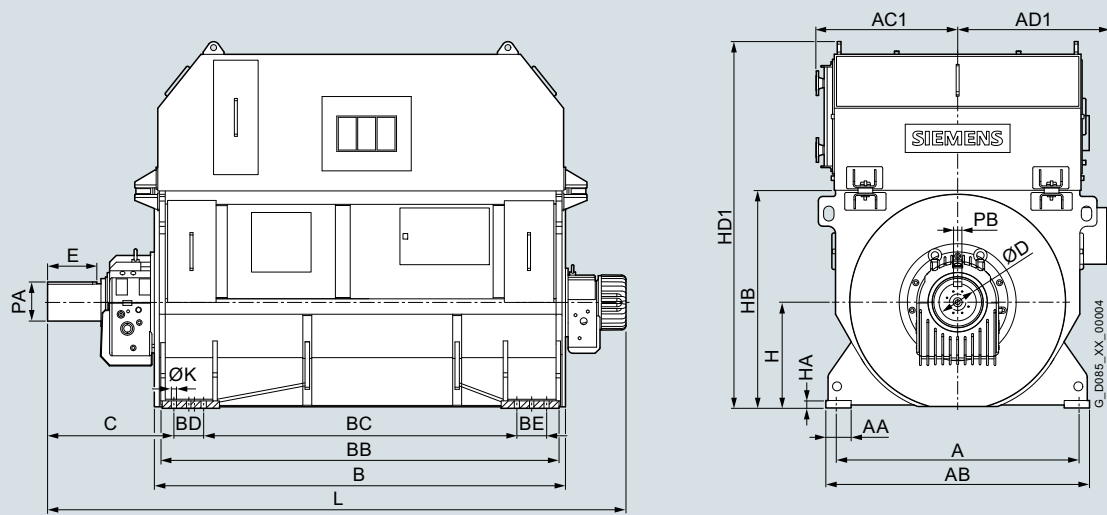
Article No. (repeated)	Dimensions								Weight
	HA	AA	H	HB	HD ₁	AC ₁	AD ₁	Ø K	
	mm	mm	mm	mm	mm	mm	mm	mm	kg
6-pole, 6.3 kV, 50 Hz									
1DK1122-1DH06-0NA2	50	170	710	1460	2799	940	1020	39	14808
1DK1122-1KH06-0NA2	50	170	710	1460	2833	940	1020	39	16657
1DK1122-1TH06-0NA2	50	170	710	1460	2833	940	1020	39	18781
1DK1122-1WH06-0NA2	50	170	710	1460	2833	940	1020	39	19477
1DK1142-1KH06-0NA2	60	200	800	1630	3325	1050	1825	39	22990
1DK1142-1PH06-0NA2	60	200	800	1630	3464	1050	1825	39	24574
1DK1142-1VH06-0NA2	60	200	800	1630	3464	1050	1825	39	26167
1DK1142-2BH06-0NA2	60	200	800	1630	3464	1050	1825	39	27849

Technical data

Industrial/Marine applications

IC81W cooling method**Dimensional drawings** (continued)

Article No.	Dimensions												
	Ø D mm	E mm	PB mm	PA mm	L mm	B mm	BB mm	BC mm	BD mm	BE mm	C mm	AB mm	A mm
1DK1 (Z ventilation), sleeve bearing													
8-pole, 6.3 kV, 50 Hz													
1DK1082-0TH08-0NA2	180	240	45	190	2816	1815	1745	1450	-	-	831	1340	1200
1DK1082-1AH08-0NA2	190	280	45	200	2826	1815	1745	1450	-	-	831	1340	1200
1DK1082-1EH08-0NA2	190	280	45	210	3026	2015	1945	1650	-	-	831	1340	1200
1DK1102-0TH08-0NA2	210	280	50	227	3579	2390	2280	1935	-	-	934	1670	1520
1DK1102-0WH08-0NA2	210	280	50	227	3579	2390	2280	1935	-	-	934	1670	1520
1DK1102-1AH08-0NA2	220	280	50	237	3579	2390	2280	1935	-	-	934	1670	1520
1DK1102-1DH08-0NA2	230	330	50	247	3629	2390	2280	1935	-	-	984	1670	1520
1DK1102-1JH08-0NA2	240	330	56	260	3629	2390	2280	1935	-	-	984	1670	1520
1DK1102-1PH08-0NA2	240	330	56	260	3874	2635	2525	2180	-	-	984	1670	1520
Article No. (repeated)	Dimensions									Weight kg			
	HA mm	AA mm	H mm	HB mm	HD ₁ mm	AC ₁ mm	AD ₁ mm	Ø K mm					
8-pole, 6.3 kV, 50 Hz													
1DK1082-0TH08-0NA2	45	150	560	1170	2323	720	720	48	7644				
1DK1082-1AH08-0NA2	45	150	560	1170	2323	720	720	48	8477				
1DK1082-1EH08-0NA2	45	150	560	1170	2323	720	720	48	9240				
1DK1102-0TH08-0NA2	45	170	630	1300	2270	855	950	48	11027				
1DK1102-0WH08-0NA2	45	170	630	1300	2270	855	950	48	11535				
1DK1102-1AH08-0NA2	45	170	630	1300	2470	855	950	48	12076				
1DK1102-1DH08-0NA2	45	170	630	1300	2470	855	950	48	12661				
1DK1102-1JH08-0NA2	45	170	630	1300	2470	855	950	48	13551				
1DK1102-1PH08-0NA2	45	170	630	1300	2470	855	950	48	14772				

Dimensional drawings (continued)


Article No.	Dimensions												
	Ø D	E	PB	PA	L	B	BB	BC	BD	BE	C	AB	A
	mm	mm	mm	mm	mm	mm	mm	mm	mm	mm	mm	mm	mm

1DK1 (Z ventilation), sleeve bearing

8-pole, 6.3 kV, 50 Hz (continued)

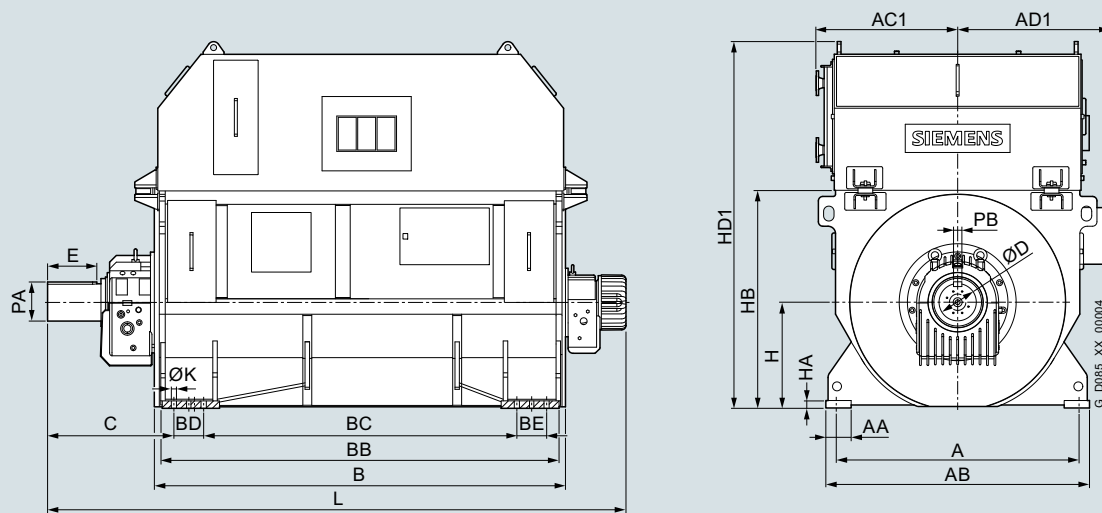
1DK1122-1FH08-0NA2	260	330	56	272	3505	2460	2370	1812	200	200	875	1770	1630
1DK1122-1JH08-0NA2	270	380	63	282	3845	2750	2660	2102	200	200	925	1770	1630
1DK1122-1PH08-0NA2	280	380	63	292	3845	2750	2660	2102	200	200	925	1770	1630
1DK1122-1VH08-0NA2	280	380	63	292	4019	2924	2834	2276	200	200	925	1770	1630
1DK1122-2CH08-0NA2	280	380	63	292	4019	2924	2834	2276	200	200	925	1770	1630
1DK1142-1JH08-0NA2	320	380	70	334	3817	2586	2491	1696	400	365	1065	1970	1830
1DK1142-1LH08-0NA2	330	450	70	344	3887	2586	2491	1696	400	365	1135	1970	1830
1DK1142-1PH08-0NA2	330	450	70	344	4119	2818	2723	1928	400	365	1135	1970	1830
1DK1142-1TH08-0NA2	330	450	70	344	4119	2818	2723	1928	400	365	1135	1970	1830
1DK1142-1XH08-0NA2	340	450	80	355	4351	3050	2955	2160	400	365	1135	1970	1830
1DK1142-2EH08-0NA2	350	450	80	365	4351	3050	2955	2160	400	365	1135	1970	1830

Article No. (repeated)	Dimensions								Weight
	HA	AA	H	HB	HD ₁	AC ₁	AD ₁	Ø K	
	mm	mm	mm	mm	mm	mm	mm	mm	kg
8-pole, 6.3 kV, 50 Hz									
1DK1122-1FH08-0NA2	50	170	710	1460	2425	940	1020	39	14964
1DK1122-1JH08-0NA2	50	170	710	1460	2561	940	1020	39	16207
1DK1122-1PH08-0NA2	50	170	710	1460	2561	940	1020	39	17336
1DK1122-1VH08-0NA2	50	170	710	1460	2561	940	1020	39	18921
1DK1122-2CH08-0NA2	50	170	710	1460	2561	940	1020	39	20329
1DK1142-1JH08-0NA2	60	200	800	1630	3155	1050	1825	39	22435
1DK1142-1LH08-0NA2	60	200	800	1630	3325	1050	1825	39	22991
1DK1142-1PH08-0NA2	60	200	800	1630	3464	1050	1825	39	24389
1DK1142-1TH08-0NA2	60	200	800	1630	3464	1050	1825	39	25335
1DK1142-1XH08-0NA2	60	200	800	1630	3464	1050	1825	39	26788
1DK1142-2EH08-0NA2	60	200	800	1630	3464	1050	1825	39	28335

Technical data

Industrial/Marine applications

IC81W cooling method

Dimensional drawings (continued)

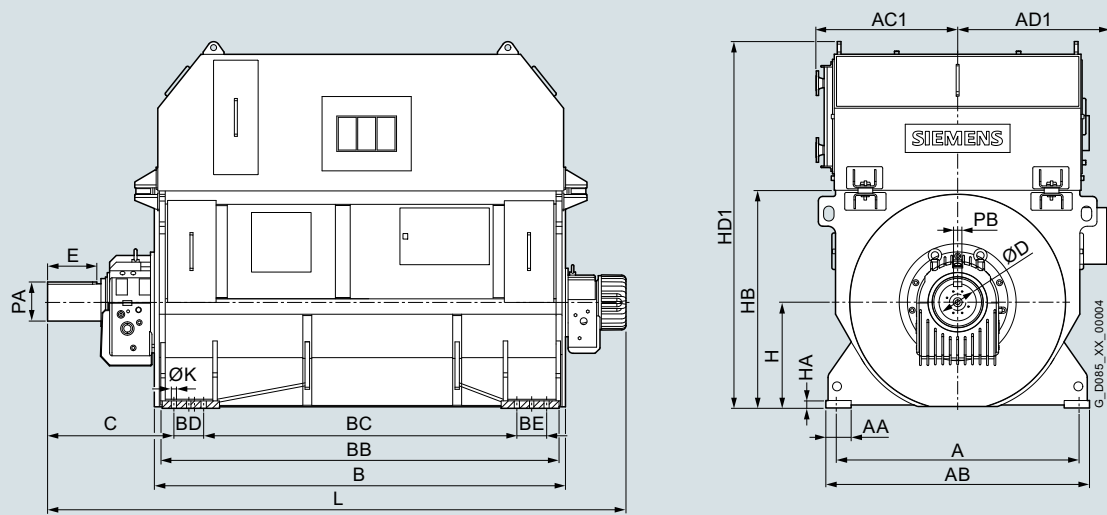
Article No.	Dimensions												
	Ø D	E	PB	PA	L	B	BB	BC	BD	BE	C	AB	A
	mm	mm	mm	mm	mm	mm	mm	mm	mm	mm	mm	mm	mm

1DK1 (Z ventilation), sleeve bearing

10-pole, 6.3 kV, 50 Hz

1DK1102-OSH10-0NA2	210	280	50	227	3579	2390	2280	1935	-	-	934	1670	1520
1DK1102-0VH10-0NA2	210	280	50	227	3579	2390	2280	1935	-	-	934	1670	1520
1DK1102-0YH10-0NA2	220	280	50	237	3579	2390	2280	1935	-	-	934	1670	1520
1DK1102-1EH10-0NA2	230	330	50	247	3629	2390	2280	1935	-	-	984	1670	1520
1DK1102-1MH10-0NA2	240	330	56	260	3629	2390	2280	1935	-	-	984	1670	1520
1DK1102-1RH10-0NA2	240	330	56	260	3874	2635	2525	2180	-	-	984	1670	1520

Article No. (repeated)	Dimensions									Weight
	HA	AA	H	HB	HD ₁	AC ₁	AD ₁	Ø K	kg	
	mm	mm	mm	mm	mm	mm	mm	mm		
10-pole, 6.3 kV, 50 Hz										
1DK1102-OSH10-0NA2	45	170	630	1300	2270	855	950	48	10658	
1DK1102-0VH10-0NA2	45	170	630	1300	2270	855	950	48	11157	
1DK1102-0YH10-0NA2	45	170	630	1300	2270	855	950	48	11631	
1DK1102-1EH10-0NA2	45	170	630	1300	2270	855	950	48	12407	
1DK1102-1MH10-0NA2	45	170	630	1300	2470	855	950	48	13698	
1DK1102-1RH10-0NA2	45	170	630	1300	2470	855	950	48	14674	

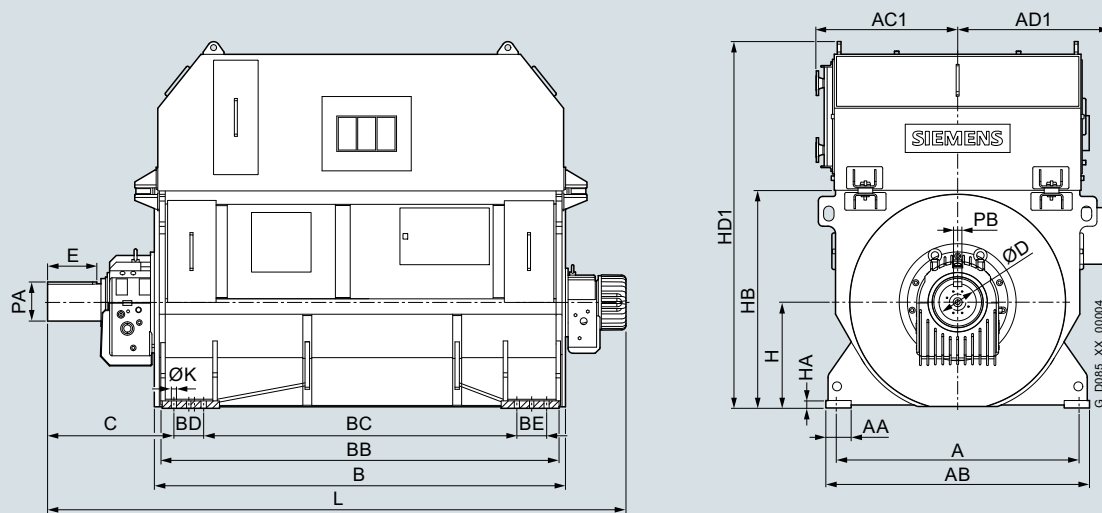
Dimensional drawings (continued)


Article No.	Dimensions												
	Ø D	E	PB	PA	L	B	BB	BC	BD	BE	C	AB	A
	mm	mm	mm	mm	mm	mm	mm	mm	mm	mm	mm	mm	mm
1DK1 (Z ventilation), sleeve bearing													
10-pole, 6.3 kV, 50 Hz (continued)													
1DK1122-1JH10-0NA2	260	330	56	272	3505	2460	2370	1812	200	200	875	1770	1630
1DK1122-1MH10-0NA2	280	380	63	292	3845	2750	2660	2102	200	200	925	1770	1630
1DK1122-1SH10-0NA2	280	380	63	292	3845	2750	2660	2102	200	200	925	1770	1630
1DK1122-1YH10-0NA2	280	380	63	292	4019	2924	2834	2276	200	200	925	1770	1630
1DK1142-1GH10-0NA2	300	380	70	314	3817	2586	2491	1696	400	365	1065	1970	1830
1DK1142-1LH10-0NA2	310	380	70	324	3817	2586	2491	1696	400	365	1065	1970	1830
1DK1142-1TH10-0NA2	330	450	70	344	4119	2818	2723	1928	400	365	1135	1970	1830
1DK1142-1XH10-0NA2	340	450	80	355	4351	3050	2955	2160	400	365	1135	1970	1830
1DK1142-2EH10-0NA2	340	450	80	355	4351	3050	2955	2160	400	365	1135	1970	1830

Article No. (repeated)	Dimensions								Weight
	HA	AA	H	HB	HD ₁	AC ₁	AD ₁	Ø K	
	mm	mm	mm	mm	mm	mm	mm	mm	kg
10-pole, 6.3 kV, 50 Hz									
1DK1122-1JH10-0NA2	50	170	710	1460	2561	940	1020	39	15982
1DK1122-1MH10-0NA2	50	170	710	1460	2561	940	1020	39	16783
1DK1122-1SH10-0NA2	50	170	710	1460	2561	940	1020	39	17899
1DK1122-1YH10-0NA2	50	170	710	1460	2561	940	1020	39	19654
1DK1142-1GH10-0NA2	60	200	800	1630	3325	1050	1825	39	22072
1DK1142-1LH10-0NA2	60	200	800	1630	3155	1050	1825	39	23098
1DK1142-1TH10-0NA2	60	200	800	1630	3121	1050	1825	39	25101
1DK1142-1XH10-0NA2	60	200	800	1630	3121	1050	1825	39	26776
1DK1142-2EH10-0NA2	60	200	800	1630	3121	1050	1825	39	28168

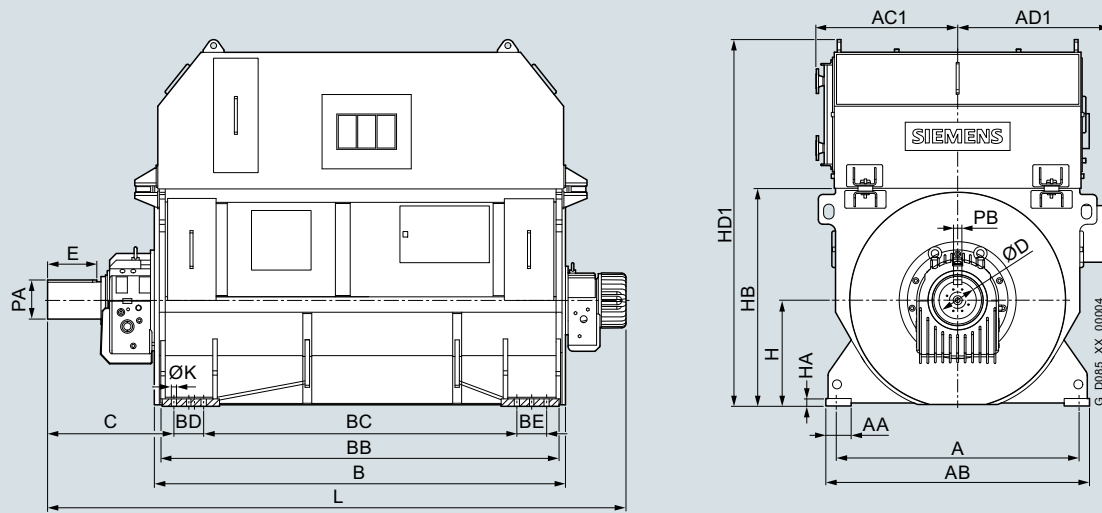
Technical data

Industrial/Marine applications

IC81W cooling method**Dimensional drawings** (continued)

Article No.	Dimensions												
	Ø D mm	E mm	PB mm	PA mm	L mm	B mm	BB mm	BC mm	BD mm	BE mm	C mm	AB mm	A mm
1DK1 (Z ventilation), sleeve bearing													
12-pole, 6.3 kV, 50 Hz													
1DK1122-1AH12-0NA2	240	330	56	252	3505	2460	2370	1812	200	200	875	1770	1630
1DK1122-1DH12-0NA2	250	330	56	262	3505	2460	2370	1812	200	200	875	1770	1630
1DK1122-1GH12-0NA2	260	330	56	272	3505	2460	2370	1812	200	200	875	1770	1630
1DK1122-1MH12-0NA2	280	380	63	292	3845	2750	2660	2102	200	200	925	1770	1630
1DK1122-1RH12-0NA2	280	380	63	292	3845	2750	2660	2102	200	200	925	1770	1630
1DK1122-1VH12-0NA2	280	380	63	292	3845	2750	2660	2102	200	200	925	1770	1630
1DK1142-1JH12-0NA2	300	380	70	314	3817	2586	2491	1696	400	365	1065	1970	1830
1DK1142-1NH12-0NA2	320	380	70	334	3817	2586	2491	1696	400	365	1065	1970	1830
1DK1142-1SH12-0NA2	330	450	70	344	4119	2818	2723	1928	400	365	1135	1970	1830
1DK1142-1XH12-0NA2	330	450	70	344	4351	3050	2955	2160	400	365	1135	1970	1830

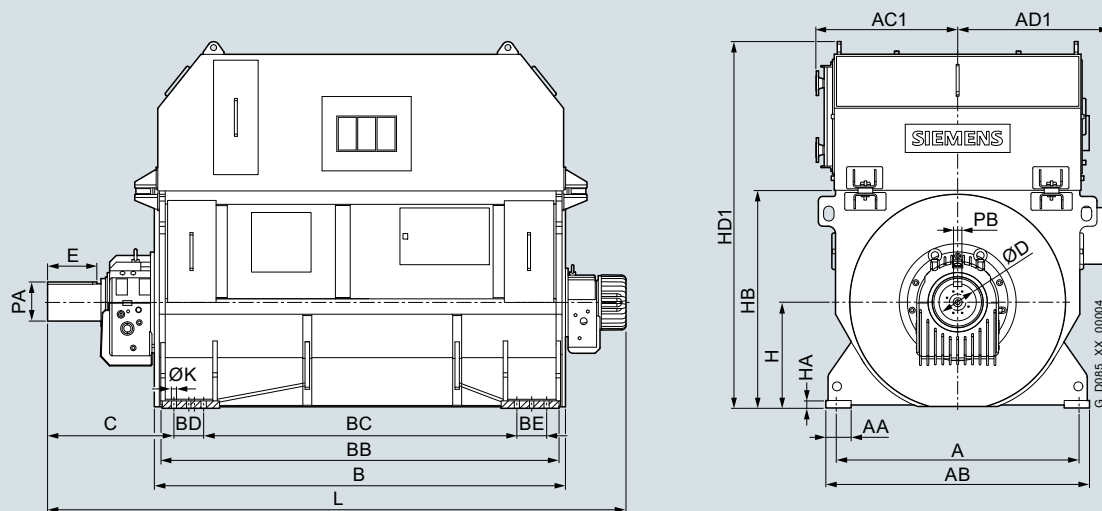
Article No. (repeated)	Dimensions								Weight kg
	HA mm	AA mm	H mm	HB mm	HD ₁ mm	AC ₁ mm	AD ₁ mm	Ø K mm	
12-pole, 6.3 kV, 50 Hz									
1DK1122-1AH12-0NA2	50	170	710	1460	2425	940	1020	39	13717
1DK1122-1DH12-0NA2	50	170	710	1460	2425	940	1020	39	14341
1DK1122-1GH12-0NA2	50	170	710	1460	2425	940	1020	39	14994
1DK1122-1MH12-0NA2	50	170	710	1460	2561	940	1020	39	16878
1DK1122-1RH12-0NA2	50	170	710	1460	2561	940	1020	39	17604
1DK1122-1VH12-0NA2	50	170	710	1460	2561	940	1020	39	18387
1DK1142-1JH12-0NA2	60	200	800	1630	3155	1050	1825	39	22838
1DK1142-1NH12-0NA2	60	200	800	1630	3155	1050	1825	39	23770
1DK1142-1SH12-0NA2	60	200	800	1630	3121	1050	1825	39	25187
1DK1142-1XH12-0NA2	60	200	800	1630	3121	1050	1825	39	26909

Dimensional drawings (continued)


Article No.	Dimensions												
	Ø D mm	E mm	PB mm	PA mm	L mm	B mm	BB mm	BC mm	BD mm	BE mm	C mm	AB mm	A mm
1DK1 (Z ventilation), sleeve bearing													
14-pole, 6.3 kV, 50 Hz													
1DK1142-1GH14-0NA2	290	380	63	302	3817	2586	2491	1696	400	365	1065	1970	1830
1DK1142-1NH14-0NA2	300	380	70	314	3817	2586	2491	1696	400	365	1065	1970	1830
1DK1142-1XH14-0NA2	320	380	70	334	4281	3050	2955	2160	400	365	1065	1970	1830
1DK1142-2CH14-0NA2	330	450	70	344	4351	3050	2955	2160	400	365	1135	1970	1830
Article No. (repeated)	Dimensions									Weight kg			
	HA mm	AA mm	H mm	HB mm	HD ₁ mm	AC ₁ mm	AD ₁ mm	Ø K mm					
14-pole, 6.3 kV, 50 Hz													
1DK1142-1GH14-0NA2	60	200	800	1630	3155	1050	1825	39	22257				
1DK1142-1NH14-0NA2	60	200	800	1630	3155	1050	1825	39	23856				
1DK1142-1XH14-0NA2	60	200	800	1630	3121	1050	1825	39	26890				
1DK1142-2CH14-0NA2	60	200	800	1630	3121	1050	1825	39	27898				

Technical data

Industrial/Marine applications

IC81W cooling method**Dimensional drawings**

Article No.	Dimensions												
	Ø D mm	E mm	PB mm	PA mm	L mm	B mm	BB mm	BC mm	BD mm	BE mm	C mm	AB mm	A mm

1DK1 (Z ventilation), sleeve bearing

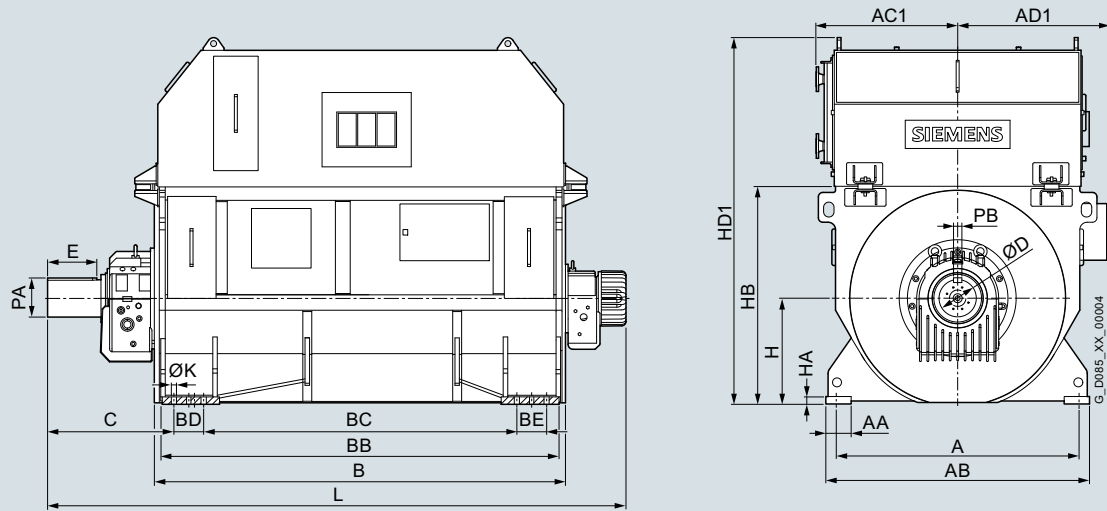
4-pole, 6.6 kV, 60 Hz

1DK1082-ORK04-0NA2	180	240	45	190	2785	1815	1745	1450	-	-	800	1340	1200
1DK1082-OTK04-0NA2	180	240	45	190	2785	1815	1745	1450	-	-	800	1340	1200
1DK1082-OWK04-0NA2	180	240	45	190	2985	2015	1945	1650	-	-	800	1340	1200
1DK1082-1AK04-0NA2	190	280	45	200	2995	2015	1945	1650	-	-	800	1340	1200

Article No. (repeated)	Dimensions									Weight kg
	HA mm	AA mm	H mm	HB mm	HD ₁ mm	AC ₁ mm	AD ₁ mm	Ø K mm		

4-pole, 6.6 kV, 60 Hz

1DK1082-ORK04-0NA2	45	150	560	1170	2473	720	720	48	7461
1DK1082-OTK04-0NA2	45	150	560	1170	2473	720	720	48	7757
1DK1082-OWK04-0NA2	45	150	560	1170	2473	720	720	48	8355
1DK1082-1AK04-0NA2	45	150	560	1170	2473	720	720	48	8786

Dimensional drawings (continued)


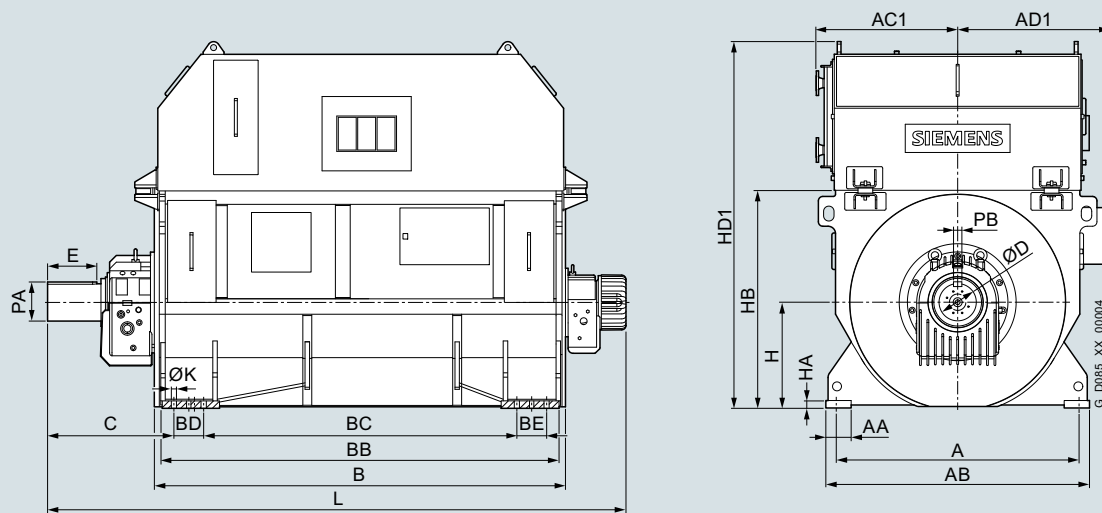
Article No.	Dimensions												
	Ø D mm	E mm	PB mm	PA mm	L mm	B mm	BB mm	BC mm	BD mm	BE mm	C mm	AB mm	A mm
1DK1 (Z ventilation), sleeve bearing													
6-pole, 6.6 kV, 60 Hz													
1DK1080-0UK06-0NA2	180	240	45	190	2816	1815	1745	1450	–	–	831	1340	1200
1DK1082-1AK06-0NA2	190	280	45	200	3016	2015	1945	1650	–	–	831	1340	1200
1DK1082-1GK06-0NA2	190	280	45	200	3016	2015	1945	1650	–	–	831	1340	1200
1DK1102-0VK06-0NA2	210	280	50	227	3579	2390	2280	1935	–	–	934	1670	1520
1DK1102-0YK06-0NA2	220	280	50	237	3579	2390	2280	1935	–	–	934	1670	1520
1DK1102-1CK06-0NA2	230	330	50	247	3629	2390	2280	1935	–	–	984	1670	1520
1DK1102-1HK06-0NA2	240	330	56	260	3629	2390	2280	1935	–	–	984	1670	1520
1DK1102-1NK06-0NA2	240	330	56	260	3874	2635	2525	2180	–	–	984	1670	1520

Article No. (repeated)	Dimensions								Weight kg
	HA mm	AA mm	H mm	HB mm	HD ₁ mm	AC ₁ mm	AD ₁ mm	Ø K mm	
6-pole, 6.6 kV, 60 Hz									
1DK1080-0UK06-0NA2	45	150	560	1170	2273	720	720	48	7807
1DK1082-1AK06-0NA2	45	150	560	1170	2273	720	720	48	8616
1DK1082-1GK06-0NA2	45	150	560	1170	2273	720	720	48	9417
1DK1102-0VK06-0NA2	45	170	630	1300	2470	855	950	48	11574
1DK1102-0YK06-0NA2	45	170	630	1300	2470	855	950	48	12057
1DK1102-1CK06-0NA2	45	170	630	1300	2470	855	950	48	12570
1DK1102-1HK06-0NA2	45	170	630	1300	2470	855	950	48	13393
1DK1102-1NK06-0NA2	45	170	630	1300	2470	855	950	48	14638

Technical data

Industrial/Marine applications

IC81W cooling method

Dimensional drawings (continued)

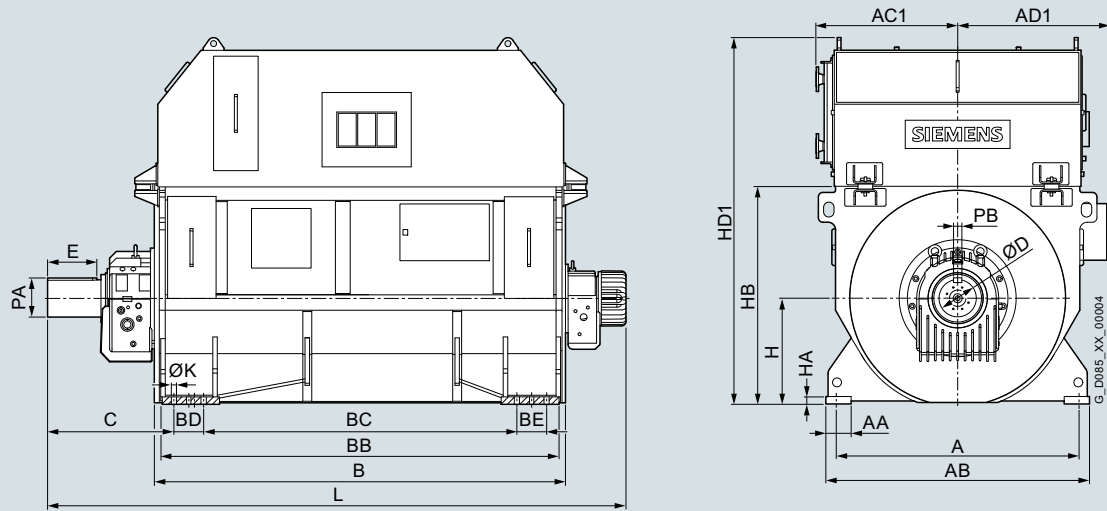
Article No.	Dimensions												
	Ø D	E	PB	PA	L	B	BB	BC	BD	BE	C	AB	A
	mm	mm	mm	mm	mm	mm	mm	mm	mm	mm	mm	mm	mm

1DK1 (Z ventilation), sleeve bearing

6-pole, 6.6 kV, 60 Hz (continued)

1DK1122-1DK06-0NA2	250	330	56	262	3505	2460	2370	1812	200	200	885	1770	1630
1DK1122-1KK06-0NA2	280	380	63	292	3845	2750	2660	2102	200	200	935	1770	1630
1DK1122-1TK06-0NA2	280	380	63	292	4019	2924	2834	2276	200	200	935	1770	1630
1DK1142-1FK06-0NA2	300	380	70	314	3817	2586	2491	1696	400	365	1065	1970	1830
1DK1142-1KK06-0NA2	320	380	70	334	3817	2586	2491	1696	400	365	1065	1970	1830
1DK1142-1PK06-0NA2	330	450	70	344	4119	2818	2723	1928	400	365	1135	1970	1830
1DK1142-1VK06-0NA2	340	450	80	355	4119	2818	2723	1928	400	365	1135	1970	1830

Article No. (repeated)	Dimensions								Weight
	HA	AA	H	HB	HD ₁	AC ₁	AD ₁	Ø K	
	mm	mm	mm	mm	mm	mm	mm	mm	kg
6-pole, 6.6 kV, 60 Hz									
1DK1122-1DK06-0NA2	50	170	710	1460	2799	940	1020	39	14994
1DK1122-1KK06-0NA2	50	170	710	1460	2833	940	1020	39	16930
1DK1122-1TK06-0NA2	50	170	710	1460	2833	940	1020	39	19057
1DK1142-1FK06-0NA2	60	200	800	1630	3325	1050	1825	39	21945
1DK1142-1KK06-0NA2	60	200	800	1630	3325	1050	1825	39	22939
1DK1142-1PK06-0NA2	60	200	800	1630	3464	1050	1825	39	24629
1DK1142-1VK06-0NA2	60	200	800	1630	3464	1050	1825	39	26075

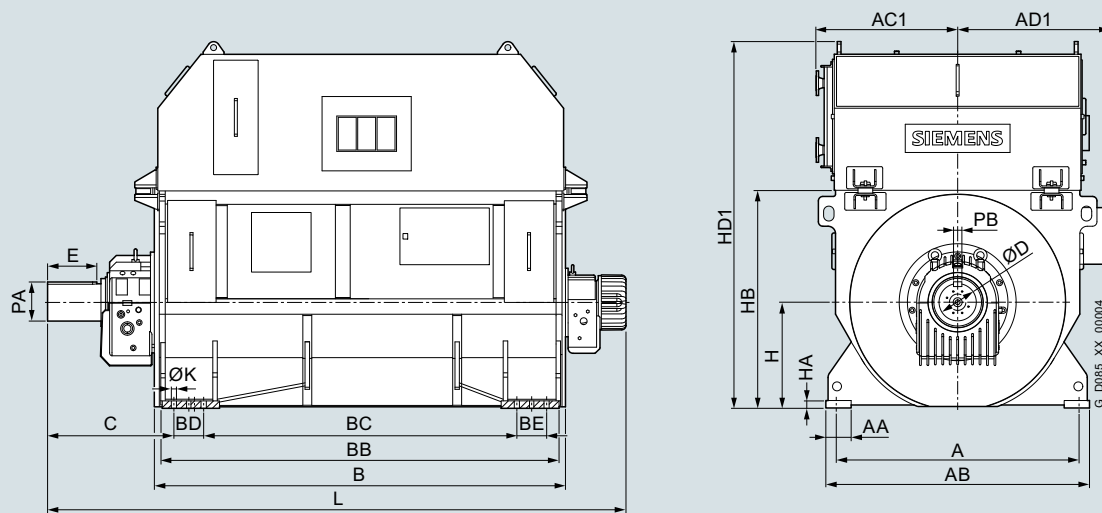
Dimensional drawings (continued)


Article No.	Dimensions												
	Ø D mm	E mm	PB mm	PA mm	L mm	B mm	BB mm	BC mm	BD mm	BE mm	C mm	AB mm	A mm
1DK1 (Z ventilation), sleeve bearing													
8-pole, 6.6 kV, 60 Hz													
1DK1082-0TK08-0NA2	180	240	45	190	2816	1815	1745	1450	–	–	831	1340	1200
1DK1082-1AK08-0NA2	190	280	45	200	2826	1815	1745	1450	–	–	831	1340	1200
1DK1082-1EK08-0NA2	190	280	45	210	3026	2015	1945	1650	–	–	831	1340	1200
1DK1102-0TK08-0NA2	210	280	50	227	3579	2390	2280	1935	–	–	934	1670	1520
1DK1102-0WK08-0NA2	210	280	50	227	3579	2390	2280	1935	–	–	934	1670	1520
1DK1102-1AK08-0NA2	230	330	50	247	3629	2390	2280	1935	–	–	984	1670	1520
1DK1102-1DK08-0NA2	230	330	50	247	3629	2390	2280	1935	–	–	984	1670	1520
1DK1102-1JK08-0NA2	240	330	56	260	3629	2390	2280	1935	–	–	984	1670	1520
1DK1102-1PK08-0NA2	250	330	56	270	3874	2635	2525	2180	–	–	984	1670	1520

Article No. (repeated)	Dimensions								Weight kg
	HA mm	AA mm	H mm	HB mm	HD ₁ mm	AC ₁ mm	AD ₁ mm	Ø K mm	
8-pole, 6.6 kV, 60 Hz									
1DK1082-0TK08-0NA2	45	150	560	1170	2323	720	720	48	7650
1DK1082-1AK08-0NA2	45	150	560	1170	2323	720	720	48	8490
1DK1082-1EK08-0NA2	45	150	560	1170	2323	720	720	48	9194
1DK1102-0TK08-0NA2	45	170	630	1300	2470	855	950	48	11176
1DK1102-0WK08-0NA2	45	170	630	1300	2470	855	950	48	11683
1DK1102-1AK08-0NA2	45	170	630	1300	2470	855	950	48	12163
1DK1102-1DK08-0NA2	45	170	630	1300	2470	855	950	48	12677
1DK1102-1JK08-0NA2	45	170	630	1300	2470	855	950	48	13572
1DK1102-1PK08-0NA2	45	170	630	1300	2470	855	950	48	14784

Technical data

Industrial/Marine applications

IC81W cooling method**Dimensional drawings** (continued)

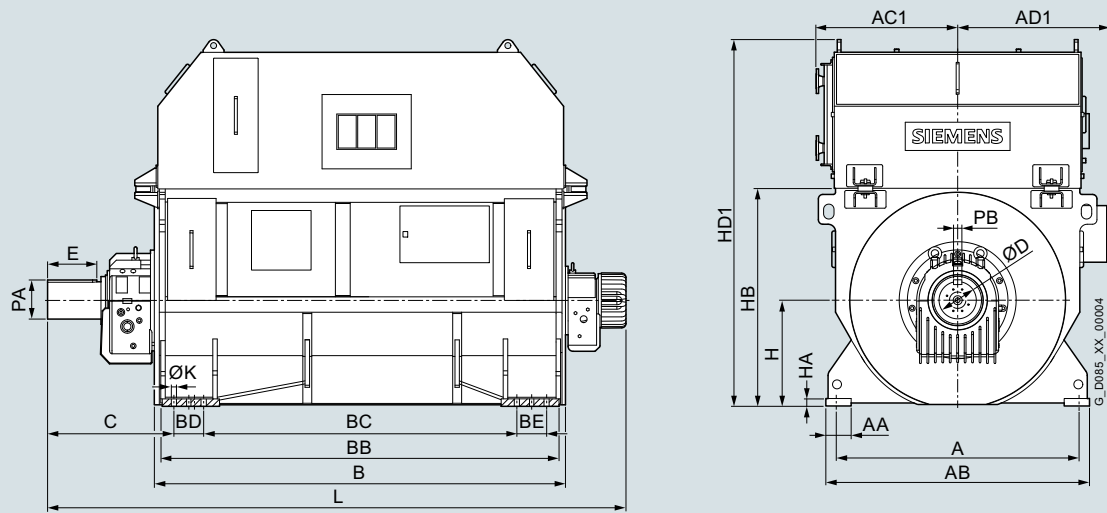
Article No.	Dimensions												
	Ø D mm	E mm	PB mm	PA mm	L mm	B mm	BB mm	BC mm	BD mm	BE mm	C mm	AB mm	A mm

1DK1 (Z ventilation), sleeve bearing

8-pole, 6.6 kV, 60 Hz (continued)

1DK1122-1FK08-0NA2	260	330	56	272	3505	2460	2370	1812	200	200	885	1770	1630
1DK1122-1JK08-0NA2	270	380	63	282	3845	2750	2660	2102	200	200	935	1770	1630
1DK1122-1PK08-0NA2	280	380	63	292	3845	2750	2660	2102	200	200	935	1770	1630
1DK1122-1VK08-0NA2	280	380	63	292	4019	2924	2834	2276	200	200	935	1770	1630
1DK1122-2CK08-0NA2	280	380	63	292	4019	2924	2834	2276	200	200	935	1770	1630
1DK1142-1JK08-0NA2	320	380	70	334	3817	2586	2491	1696	400	365	1065	1970	1830
1DK1142-1LK08-0NA2	330	450	70	344	3887	2586	2491	1696	400	365	1135	1970	1830
1DK1142-1PK08-0NA2	330	450	70	344	4119	2818	2723	1928	400	365	1135	1970	1830
1DK1142-1TK08-0NA2	340	450	80	355	4119	2818	2723	1928	400	365	1135	1970	1830
1DK1142-1XK08-0NA2	340	450	80	355	4351	3050	2955	2160	400	365	1135	1970	1830
1DK1142-2EK08-0NA2	350	450	80	365	4351	3050	2955	2160	400	365	1135	1970	1830

Article No. (repeated)	Dimensions								Weight kg
	HA mm	AA mm	H mm	HB mm	HD ₁ mm	AC ₁ mm	AD ₁ mm	Ø K mm	
8-pole, 6.6 kV, 60 Hz									
1DK1122-1FK08-0NA2	50	170	710	1460	2425	940	1020	39	15068
1DK1122-1JK08-0NA2	50	170	710	1460	2561	940	1020	39	16449
1DK1122-1PK08-0NA2	50	170	710	1460	2561	940	1020	39	17415
1DK1122-1VK08-0NA2	50	170	710	1460	2833	940	1020	39	19138
1DK1122-2CK08-0NA2	50	170	710	1460	2833	940	1020	39	20410
1DK1142-1JK08-0NA2	60	200	800	1630	3325	1050	1825	39	22458
1DK1142-1LK08-0NA2	60	200	800	1630	3325	1050	1825	39	23002
1DK1142-1PK08-0NA2	60	200	800	1630	3464	1050	1825	39	24327
1DK1142-1TK08-0NA2	60	200	800	1630	3464	1050	1825	39	25306
1DK1142-1XK08-0NA2	60	200	800	1630	3464	1050	1825	39	26838
1DK1142-2EK08-0NA2	60	200	800	1630	3464	1050	1825	39	28336

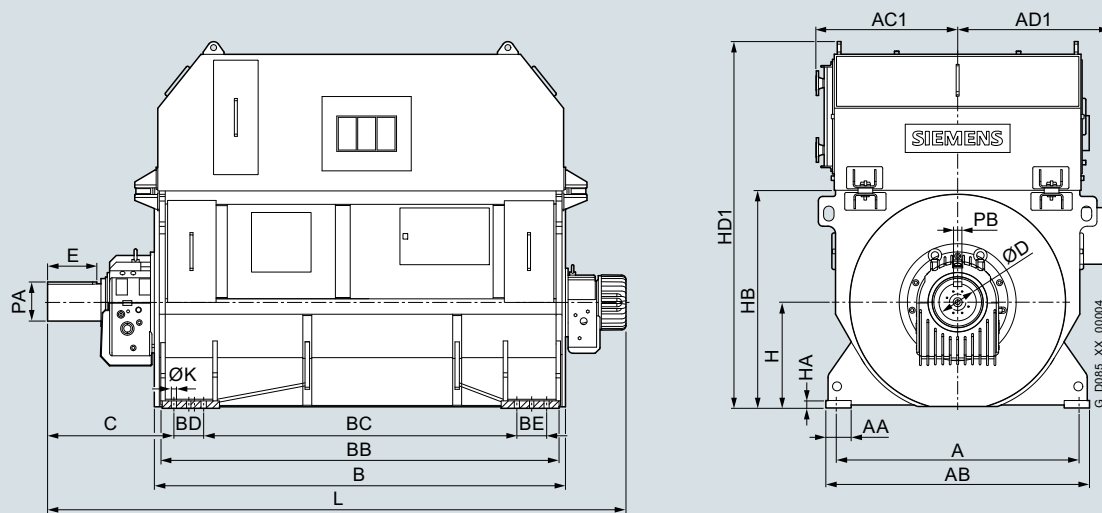
Dimensional drawings (continued)


Article No.	Dimensions												
	Ø D	E	PB	PA	L	B	BB	BC	BD	BE	C	AB	A
	mm	mm	mm	mm	mm	mm	mm	mm	mm	mm	mm	mm	mm
1DK1 (Z ventilation), sleeve bearing													
10-pole, 6.6 kV, 60 Hz													
1DK1102-OSK10-0NA2	210	280	50	227	3579	2390	2280	1935	–	–	934	1670	1520
1DK1102-0VK10-0NA2	210	280	50	227	3579	2390	2280	1935	–	–	934	1670	1520
1DK1102-0YK10-0NA2	220	280	50	237	3579	2390	2280	1935	–	–	934	1670	1520
1DK1102-1EK10-0NA2	230	330	50	247	3629	2390	2280	1935	–	–	984	1670	1520
1DK1102-1MK10-0NA2	240	330	56	260	3629	2390	2280	1935	–	–	984	1670	1520
1DK1102-1RK10-0NA2	250	330	56	270	3874	2635	2525	2180	–	–	984	1670	1520

Article No. (repeated)	Dimensions									Weight
	HA	AA	H	HB	HD ₁	AC ₁	AD ₁	Ø K	kg	
	mm	mm	mm	mm	mm	mm	mm	mm		
10-pole, 6.6 kV, 60 Hz										
1DK1102-OSK10-0NA2	45	170	630	1300	2270	855	950	48	10696	
1DK1102-0VK10-0NA2	45	170	630	1300	2270	855	950	48	11197	
1DK1102-0YK10-0NA2	45	170	630	1300	2270	855	950	48	11672	
1DK1102-1EK10-0NA2	45	170	630	1300	2470	855	950	48	12545	
1DK1102-1MK10-0NA2	45	170	630	1300	2470	855	950	48	13691	
1DK1102-1RK10-0NA2	45	170	630	1300	2470	855	950	48	14758	

Technical data

Industrial/Marine applications

IC81W cooling method**Dimensional drawings** (continued)

Article No.	Dimensions												
	Ø D	E	PB	PA	L	B	BB	BC	BD	BE	C	AB	A
	mm	mm	mm	mm	mm	mm	mm	mm	mm	mm	mm	mm	mm

1DK1 (Z ventilation), sleeve bearing

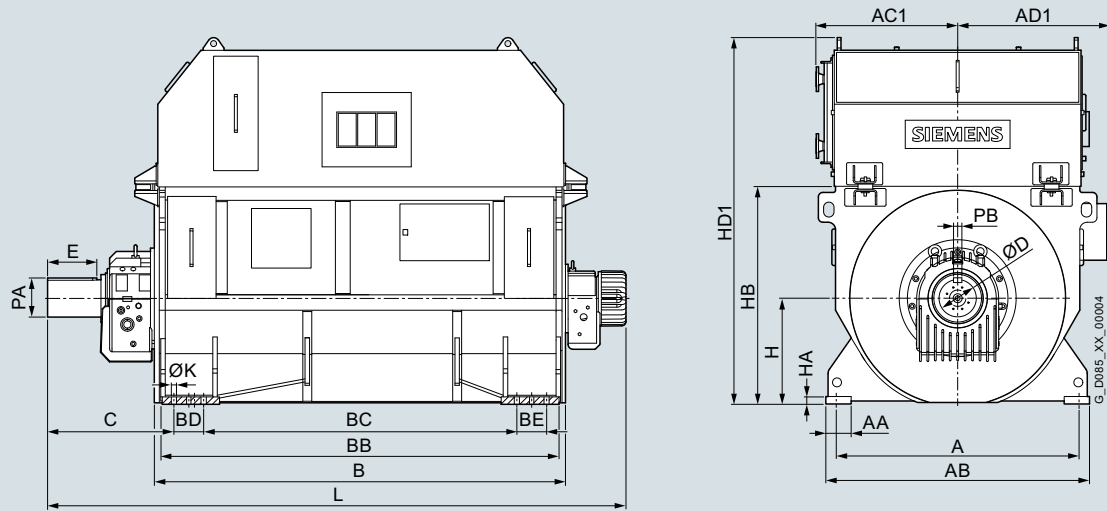
10-pole, 6.6 kV, 60 Hz (continued)

1DK1122-1JK10-0NA2	260	330	56	272	3505	2460	2370	1812	200	200	875	1770	1630
1DK1122-1MK10-0NA2	280	380	63	292	3845	2750	2660	2102	200	200	925	1770	1630
1DK1122-1SK10-0NA2	280	380	63	292	3845	2750	2660	2102	200	200	925	1770	1630
1DK1122-1YK10-0NA2	280	380	63	292	4019	2924	2834	2276	200	200	925	1770	1630
1DK1142-1GK10-0NA2	300	380	70	314	3817	2586	2491	1696	400	365	1065	1970	1830
1DK1142-1LK10-0NA2	330	450	70	344	3887	2586	2491	1696	400	365	1135	1970	1830
1DK1142-1TK10-0NA2	330	450	70	344	4119	2818	2723	1928	400	365	1135	1970	1830
1DK1142-1XK10-0NA2	340	450	80	355	4351	3050	2955	2160	400	365	1135	1970	1830
1DK1142-2EK10-0NA2	340	450	80	355	4351	3050	2955	2160	400	365	1135	1970	1830

Article No. (repeated)	Dimensions								Weight
	HA	AA	H	HB	HD ₁	AC ₁	AD ₁	Ø K	
	mm	mm	mm	mm	mm	mm	mm	mm	kg

10-pole, 6.6 kV, 60 Hz

1DK1122-1JK10-0NA2	50	170	710	1460	2561	940	1020	39	15983
1DK1122-1MK10-0NA2	50	170	710	1460	2561	940	1020	39	16953
1DK1122-1SK10-0NA2	50	170	710	1460	2561	940	1020	39	18016
1DK1122-1YK10-0NA2	50	170	710	1460	2561	940	1020	39	19666
1DK1142-1GK10-0NA2	60	200	800	1630	3155	1050	1825	39	22086
1DK1142-1LK10-0NA2	60	200	800	1630	3155	1050	1825	39	23122
1DK1142-1TK10-0NA2	60	200	800	1630	3121	1050	1825	39	25299
1DK1142-1XK10-0NA2	60	200	800	1630	3121	1050	1825	39	26655
1DK1142-2EK10-0NA2	60	200	800	1630	3121	1050	1825	39	28204

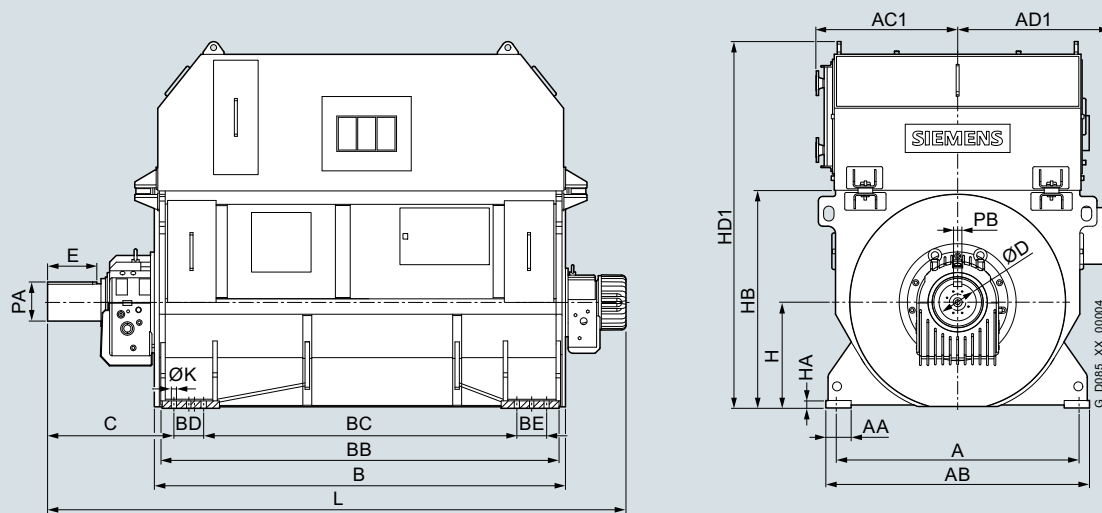
Dimensional drawings (continued)


Article No.	Dimensions												
	Ø D	E	PB	PA	L	B	BB	BC	BD	BE	C	AB	A
	mm	mm	mm	mm	mm	mm	mm	mm	mm	mm	mm	mm	mm
1DK1 (Z ventilation), sleeve bearing													
12-pole, 6.6 kV, 60 Hz													
1DK1122-1AK12-0NA2	250	330	56	262	3505	2460	2370	1812	200	200	875	1770	1630
1DK1122-1DK12-0NA2	250	330	56	262	3505	2460	2370	1812	200	200	875	1770	1630
1DK1122-1GK12-0NA2	260	330	56	272	3505	2460	2370	1812	200	200	875	1770	1630
1DK1122-1MK12-0NA2	280	380	63	292	3845	2750	2660	2102	200	200	925	1770	1630
1DK1122-1RK12-0NA2	280	380	63	292	3845	2750	2660	2102	200	200	925	1770	1630
1DK1122-1VK12-0NA2	280	380	63	292	3845	2750	2660	2102	200	200	925	1770	1630
1DK1142-1JK12-0NA2	300	380	70	314	3817	2586	2491	1696	400	365	1065	1970	1830
1DK1142-1NK12-0NA2	320	380	70	334	3817	2586	2491	1696	400	365	1065	1970	1830
1DK1142-1SK12-0NA2	330	450	70	344	4119	2818	2723	1928	400	365	1135	1970	1830
1DK1142-1XK12-0NA2	330	450	70	344	4351	3050	2955	2160	400	365	1135	1970	1830

Article No. (repeated)	Dimensions								Weight
	HA	AA	H	HB	HD ₁	AC ₁	AD ₁	Ø K	
	mm	mm	mm	mm	mm	mm	mm	mm	kg
12-pole, 6.6 kV, 60 Hz									
1DK1122-1AK12-0NA2	50	170	710	1460	2799	940	1020	39	14063
1DK1122-1DK12-0NA2	50	170	710	1460	2799	940	1020	39	14698
1DK1122-1GK12-0NA2	50	170	710	1460	2799	940	1020	39	15320
1DK1122-1MK12-0NA2	50	170	710	1460	2561	940	1020	39	16789
1DK1122-1RK12-0NA2	50	170	710	1460	2561	940	1020	39	17641
1DK1122-1VK12-0NA2	50	170	710	1460	2561	940	1020	39	18354
1DK1142-1JK12-0NA2	60	200	800	1630	3155	1050	1825	39	22754
1DK1142-1NK12-0NA2	60	200	800	1630	3155	1050	1825	39	23768
1DK1142-1SK12-0NA2	60	200	800	1630	3121	1050	1825	39	25206
1DK1142-1XK12-0NA2	60	200	800	1630	3121	1050	1825	39	26940

Technical data

Industrial/Marine applications

IC81W cooling method**Dimensional drawings** (continued)

Article No.	Dimensions												
	Ø D	E	PB	PA	L	B	BB	BC	BD	BE	C	AB	A
	mm	mm	mm	mm	mm	mm	mm	mm	mm	mm	mm	mm	mm

1DK1 (Z ventilation), sleeve bearing

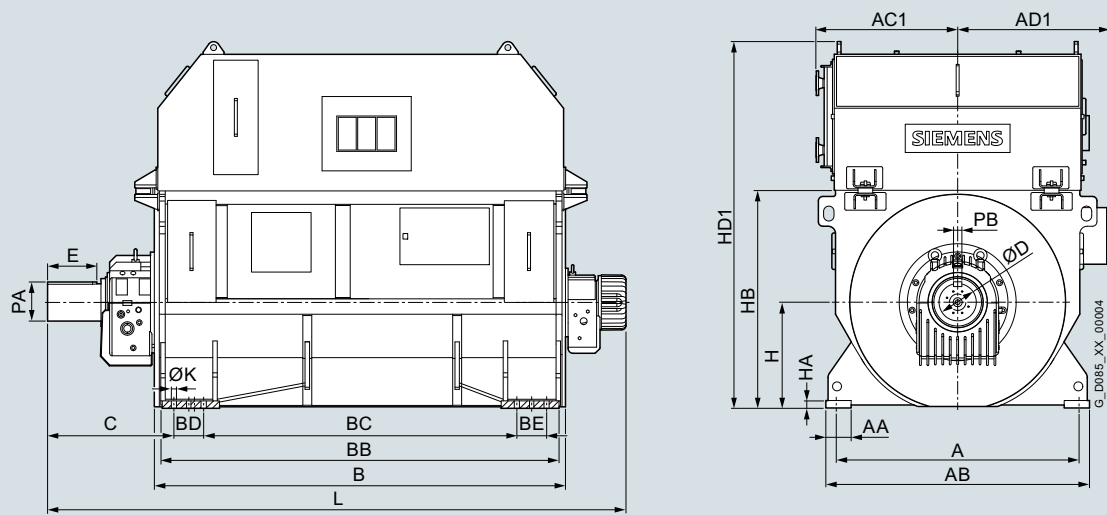
14-pole, 6.6 kV, 60 Hz

1DK1122-1DK14-0NA2	230	330	50	241	3505	2460	2370	1812	200	200	875	1770	1630
1DK1122-1JK14-0NA2	240	330	56	252	3505	2460	2370	1812	200	200	875	1770	1630
1DK1122-1RK14-0NA2	240	330	56	252	3795	2750	2660	2102	200	200	875	1770	1630
1DK1122-1XK14-0NA2	240	330	56	252	3795	2750	2660	2102	200	200	875	1770	1630
1DK1142-1GK14-0NA2	290	380	63	302	3817	2586	2491	1696	400	365	1065	1970	1830
1DK1142-1NK14-0NA2	300	380	70	314	3817	2586	2491	1696	400	365	1065	1970	1830
1DK1142-1XK14-0NA2	330	450	70	344	3887	2586	2491	1696	400	365	1135	1970	1830
1DK1142-2CK14-0NA2	330	450	70	344	4351	3050	2955	2160	400	365	1135	1970	1830

Article No. (repeated)	Dimensions								Weight
	HA	AA	H	HB	HD ₁	AC ₁	AD ₁	Ø K	
	mm	mm	mm	mm	mm	mm	mm	mm	kg

14-pole, 6.6 kV, 60 Hz

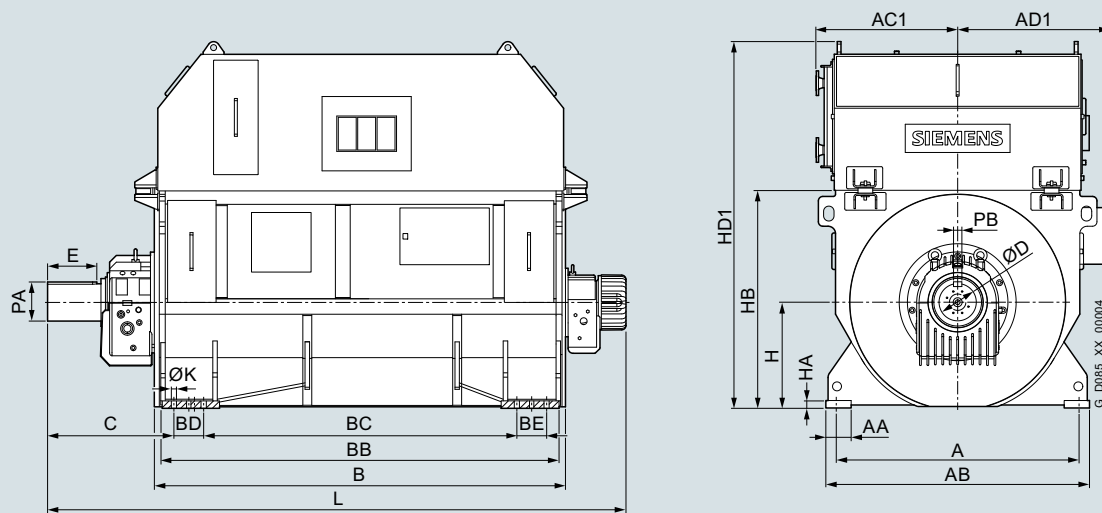
1DK1122-1DK14-0NA2	50	170	710	1460	2425	940	1020	39	14266
1DK1122-1JK14-0NA2	50	170	710	1460	2425	940	1020	39	15284
1DK1122-1RK14-0NA2	50	170	710	1460	2561	940	1020	39	17390
1DK1122-1XK14-0NA2	50	170	710	1460	2561	940	1020	39	18455
1DK1142-1GK14-0NA2	60	200	800	1630	3155	1050	1825	39	22341
1DK1142-1NK14-0NA2	60	200	800	1630	3155	1050	1825	39	23791
1DK1142-1XK14-0NA2	60	200	800	1630	3155	1050	1825	39	26034
1DK1142-2CK14-0NA2	60	200	800	1630	3121	1050	1825	39	27924

Dimensional drawings


Article No.	Dimensions												
	Ø D mm	E mm	PB mm	PA mm	L mm	B mm	BB mm	BC mm	BD mm	BE mm	C mm	AB mm	A mm
1DK1 (Z ventilation), sleeve bearing													
4-pole, 11 kV, 50 Hz													
1DK1082-0TN04-0NA2	190	280	45	200	2779	1810	1745	1450	–	–	697	1340	1200
1DK1082-0WN04-0NA2	190	280	45	200	2979	2010	1945	1650	–	–	697	1340	1200
1DK1082-1AN04-0NA2	190	280	45	200	2979	2010	1945	1650	–	–	697	1340	1200
1DK1082-1DN04-0NA2	190	280	45	200	2979	2010	1945	1650	–	–	697	1340	1200
Article No. (repeated)	Dimensions									Weight kg			
	HA mm	AA mm	H mm	HB mm	HD ₁ mm	AC ₁ mm	AD ₁ mm	Ø K mm					
4-pole, 11 kV, 50 Hz													
1DK1082-0TN04-0NA2	45	150	560	1160	2194	720	720	48	7317				
1DK1082-0WN04-0NA2	45	150	560	1160	2194	720	720	48	7892				
1DK1082-1AN04-0NA2	45	150	560	1160	2194	720	720	48	8325				
1DK1082-1DN04-0NA2	45	150	560	1160	2194	720	720	48	8723				

Technical data

Industrial/Marine applications

IC81W cooling method**Dimensional drawings** (continued)

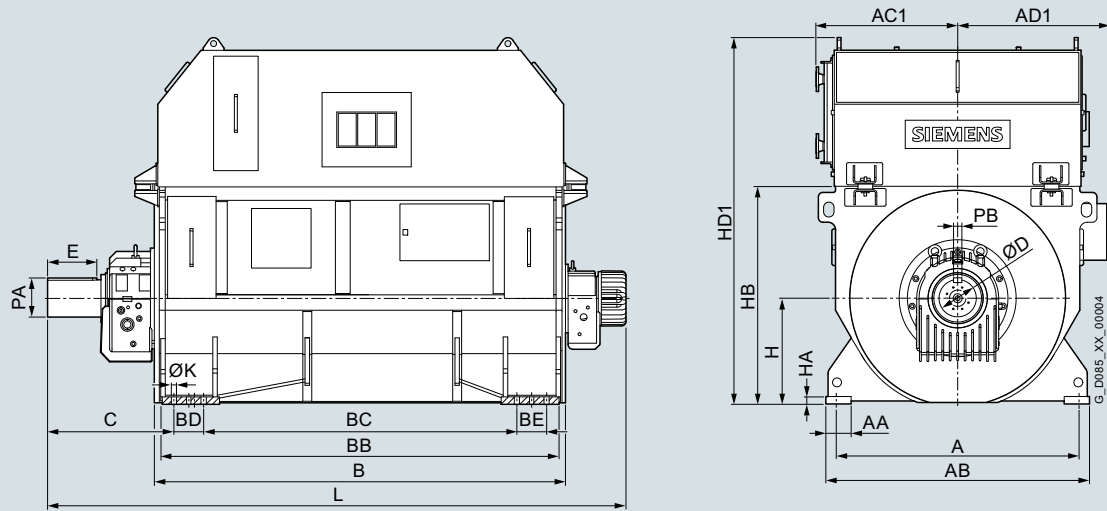
Article No.	Dimensions												
	Ø D	E	PB	PA	L	B	BB	BC	BD	BE	C	AB	A
	mm	mm	mm	mm	mm	mm	mm	mm	mm	mm	mm	mm	mm

1DK1 (Z ventilation), sleeve bearing

6-pole, 11 kV, 50 Hz

1DK1082-0UN06-0NA2	190	280	45	200	2815	1810	1745	1450	-	-	733	1340	1200
1DK1082-1AN06-0NA2	190	280	45	200	3015	2010	1945	1650	-	-	733	1340	1200
1DK1102-0VN06-0NA2	200	280	50	227	3579	2390	2280	1935	-	-	934	1670	1520
1DK1102-0YN06-0NA2	210	280	50	227	3579	2390	2280	1935	-	-	934	1670	1520
1DK1102-1CN06-0NA2	220	280	50	247	3579	2390	2280	1935	-	-	934	1670	1520
1DK1102-1HN06-0NA2	220	280	50	247	3579	2390	2280	1935	-	-	934	1670	1520
1DK1102-1NN06-0NA2	230	330	50	260	3874	2635	2525	2180	-	-	984	1670	1520
1DK1122-1DN06-0NA2	250	330	56	262	3505	2460	2370	1812	200	200	885	1770	1630
1DK1122-1KN06-0NA2	280	380	63	292	3845	2750	2660	2102	200	200	935	1770	1630
1DK1122-1TN06-0NA2	280	380	63	292	4019	2924	2834	2276	200	200	935	1770	1630
1DK1122-1WN06-0NA2	280	380	63	292	4019	2924	2834	2276	200	200	935	1770	1630

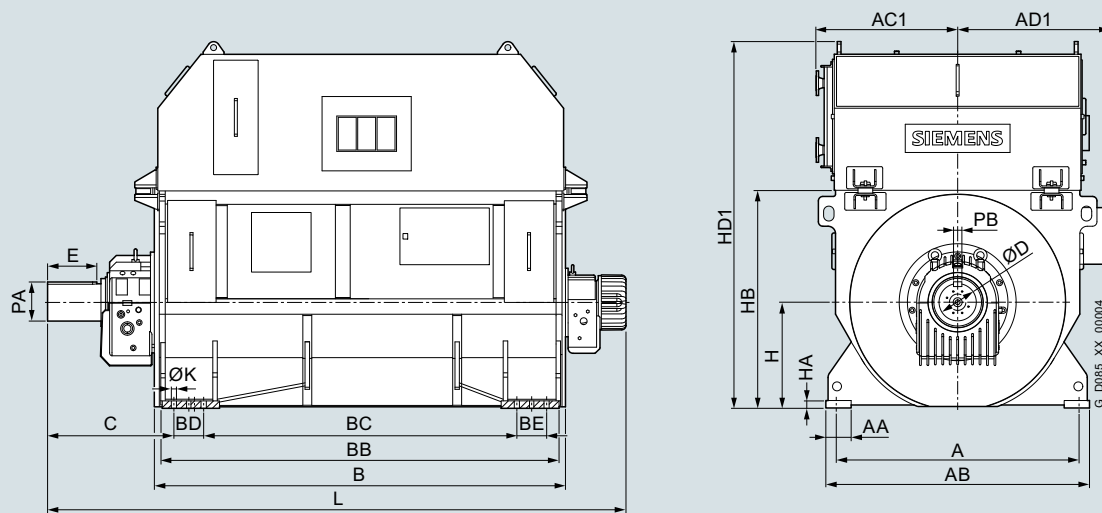
Article No. (repeated)	Dimensions								Weight
	HA	AA	H	HB	HD ₁	AC ₁	AD ₁	Ø K	
	mm	mm	mm	mm	mm	mm	mm	mm	kg
6-pole, 11 kV, 50 Hz									
1DK1082-0UN06-0NA2	45	150	560	1160	2194	720	720	48	7416
1DK1082-1AN06-0NA2	45	150	560	1160	2194	720	720	48	8282
1DK1102-0VN06-0NA2	45	170	630	1300	2270	855	950	48	11368
1DK1102-0YN06-0NA2	45	170	630	1300	2470	855	950	48	11985
1DK1102-1CN06-0NA2	45	170	630	1300	2470	855	950	48	12451
1DK1102-1HN06-0NA2	45	170	630	1300	2470	855	950	48	13250
1DK1102-1NN06-0NA2	45	170	630	1300	2470	855	950	48	14478
1DK1122-1DN06-0NA2	50	170	710	1460	2799	940	1020	39	14808
1DK1122-1KN06-0NA2	50	170	710	1460	2833	940	1020	39	16657
1DK1122-1TN06-0NA2	50	170	710	1460	2833	940	1020	39	18781
1DK1122-1WN06-0NA2	50	170	710	1460	2833	940	1020	39	19477

Dimensional drawings (continued)


Article No.	Dimensions												
	Ø D	E	PB	PA	L	B	BB	BC	BD	BE	C	AB	A
	mm	mm	mm	mm	mm	mm	mm	mm	mm	mm	mm	mm	mm
1DK1 (Z ventilation), sleeve bearing													
6-pole, 11 kV, 50 Hz (continued)													
1DK1142-1KN06-0NA2	320	380	70	334	3817	2586	2491	1696	400	365	1065	1970	1830
1DK1142-1PN06-0NA2	330	450	70	344	4119	2818	2723	1928	400	365	1135	1970	1830
1DK1142-1VN06-0NA2	340	450	80	355	4119	2818	2723	1928	400	365	1135	1970	1830
1DK1142-2BN06-0NA2	340	450	80	355	4351	3050	2955	2160	400	365	1135	1970	1830
Article No. (repeated)	Dimensions								Weight				
	HA	AA	H	HB	HD ₁	AC ₁	AD ₁	Ø K		kg			
	mm	mm	mm	mm	mm	mm	mm	mm					
6-pole, 11 kV, 50 Hz													
1DK1142-1KN06-0NA2	60	200	800	1630	3325	1050	1825	39	22990				
1DK1142-1PN06-0NA2	60	200	800	1630	3464	1050	1825	39	24574				
1DK1142-1VN06-0NA2	60	200	800	1630	3464	1050	1825	39	26167				
1DK1142-2BN06-0NA2	60	200	800	1630	3464	1050	1825	39	27849				

Technical data

Industrial/Marine applications

IC81W cooling method**Dimensional drawings** (continued)

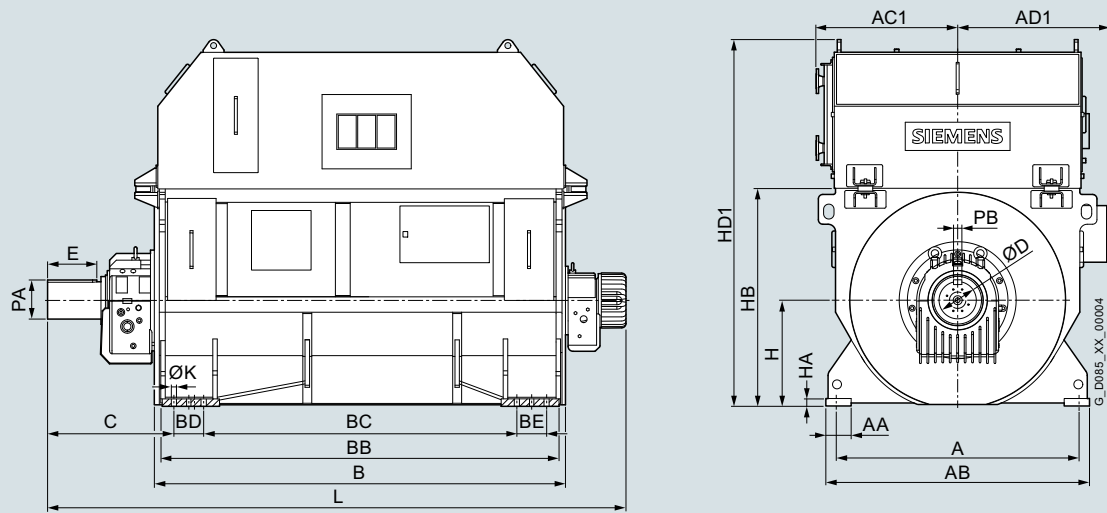
Article No.	Dimensions												
	Ø D	E	PB	PA	L	B	BB	BC	BD	BE	C	AB	A
	mm	mm	mm	mm	mm	mm	mm	mm	mm	mm	mm	mm	mm

1DK1 (Z ventilation), sleeve bearing

8-pole, 11 kV, 50 Hz

1DK1082-OTN08-0NA2	190	280	45	200	2815	1810	1745	1450	-	-	733	1340	1200
1DK1082-1AN08-0NA2	190	280	45	200	3015	2010	1945	1650	-	-	733	1340	1200
1DK1082-1EN08-0NA2	190	280	45	200	3015	2010	1945	1650	-	-	733	1340	1200
1DK1102-OTN08-0NA2	200	280	45	217	3579	2390	2280	1935	-	-	934	1670	1520
1DK1102-0WN08-0NA2	210	280	50	227	3579	2390	2280	1935	-	-	934	1670	1520
1DK1102-1AN08-0NA2	210	280	50	227	3579	2390	2280	1935	-	-	934	1670	1520
1DK1102-1DN08-0NA2	210	280	50	227	3579	2390	2280	1935	-	-	934	1670	1520
1DK1102-1JN08-0NA2	230	330	56	247	3629	2390	2280	1935	-	-	984	1670	1520
1DK1102-1PN08-0NA2	240	330	56	260	3874	2635	2525	2180	-	-	984	1670	1520

Article No. (repeated)	Dimensions									Weight
	HA	AA	H	HB	HD ₁	AC ₁	AD ₁	Ø K	kg	
	mm	mm	mm	mm	mm	mm	mm	mm		
8-pole, 11 kV, 50 Hz										
1DK1082-OTN08-0NA2	45	150	560	1160	2194	720	720	48	7289	
1DK1082-1AN08-0NA2	45	150	560	1160	2194	720	720	48	8308	
1DK1082-1EN08-0NA2	45	150	560	1160	2194	720	720	48	8867	
1DK1102-OTN08-0NA2	45	170	630	1300	2270	855	950	48	10900	
1DK1102-0WN08-0NA2	45	170	630	1300	2270	855	950	48	11391	
1DK1102-1AN08-0NA2	45	170	630	1300	2470	855	950	48	11885	
1DK1102-1DN08-0NA2	45	170	630	1300	2270	855	950	48	12371	
1DK1102-1JN08-0NA2	45	170	630	1300	2270	855	950	48	13249	
1DK1102-1PN08-0NA2	45	170	630	1300	2470	855	950	48	14588	

Dimensional drawings (continued)


Article No.	Dimensions												
	Ø D	E	PB	PA	L	B	BB	BC	BD	BE	C	AB	A
	mm	mm	mm	mm	mm	mm	mm	mm	mm	mm	mm	mm	mm

1DK1 (Z ventilation), sleeve bearing

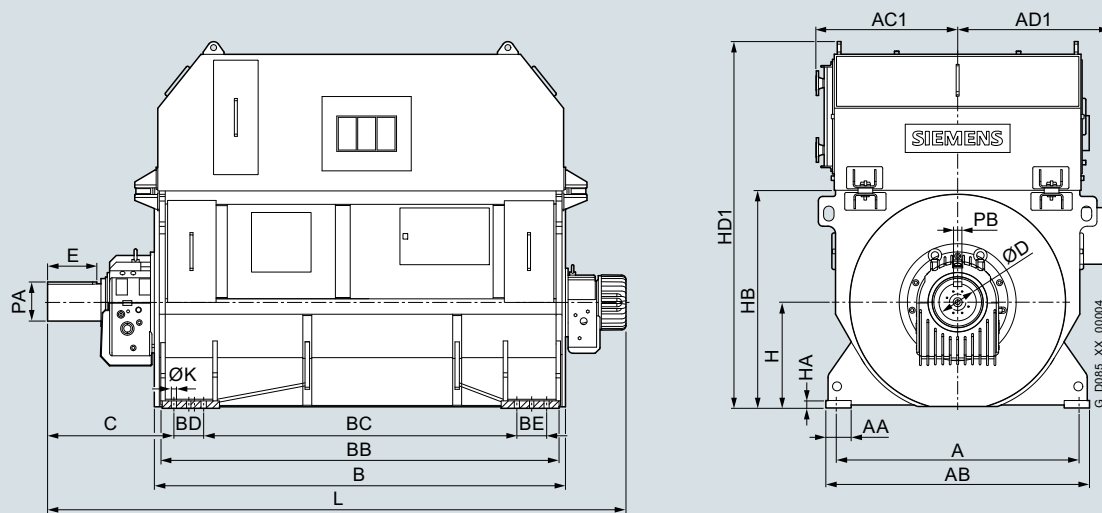
8-pole, 11 kV, 50 Hz (continued)

1DK1122-1FN08-0NA2	260	330	56	272	3505	2460	2370	1812	200	200	875	1770	1630
1DK1122-1JN08-0NA2	270	380	63	282	3845	2750	2660	2102	200	200	925	1770	1630
1DK1122-1PN08-0NA2	280	380	63	292	3845	2750	2660	2102	200	200	925	1770	1630
1DK1122-1VN08-0NA2	280	380	63	292	4019	2924	2834	2276	200	200	925	1770	1630
1DK1122-2CN08-0NA2	280	380	63	292	4019	2924	2834	2276	200	200	925	1770	1630
1DK1142-1JN08-0NA2	320	380	70	334	3817	2586	2491	1696	400	365	1065	1970	1830
1DK1142-1LN08-0NA2	330	450	70	344	3887	2586	2491	1696	400	365	1135	1970	1830
1DK1142-1PN08-0NA2	330	450	70	344	4119	2818	2723	1928	400	365	1135	1970	1830
1DK1142-1TN08-0NA2	330	450	70	344	4119	2818	2723	1928	400	365	1135	1970	1830
1DK1142-1XN08-0NA2	340	450	80	355	4351	3050	2955	2160	400	365	1135	1970	1830
1DK1142-2EN08-0NA2	350	450	80	365	4351	3050	2955	2160	400	365	1135	1970	1830

Article No. (repeated)	Dimensions								Weight
	HA	AA	H	HB	HD ₁	AC ₁	AD ₁	Ø K	
	mm	mm	mm	mm	mm	mm	mm	mm	kg
8-pole, 11 kV, 50 Hz									
1DK1122-1FN08-0NA2	50	170	710	1460	2425	940	1020	39	14964
1DK1122-1JN08-0NA2	50	170	710	1460	2561	940	1020	39	16207
1DK1122-1PN08-0NA2	50	170	710	1460	2561	940	1020	39	17336
1DK1122-1VN08-0NA2	50	170	710	1460	2561	940	1020	39	18921
1DK1122-2CN08-0NA2	50	170	710	1460	2561	940	1020	39	20329
1DK1142-1JN08-0NA2	60	200	800	1630	3155	1050	1825	39	22435
1DK1142-1LN08-0NA2	60	200	800	1630	3325	1050	1825	39	22991
1DK1142-1PN08-0NA2	60	200	800	1630	3464	1050	1825	39	24389
1DK1142-1TN08-0NA2	60	200	800	1630	3464	1050	1825	39	25335
1DK1142-1XN08-0NA2	60	200	800	1630	3464	1050	1825	39	26788
1DK1142-2EN08-0NA2	60	200	800	1630	3464	1050	1825	39	28335

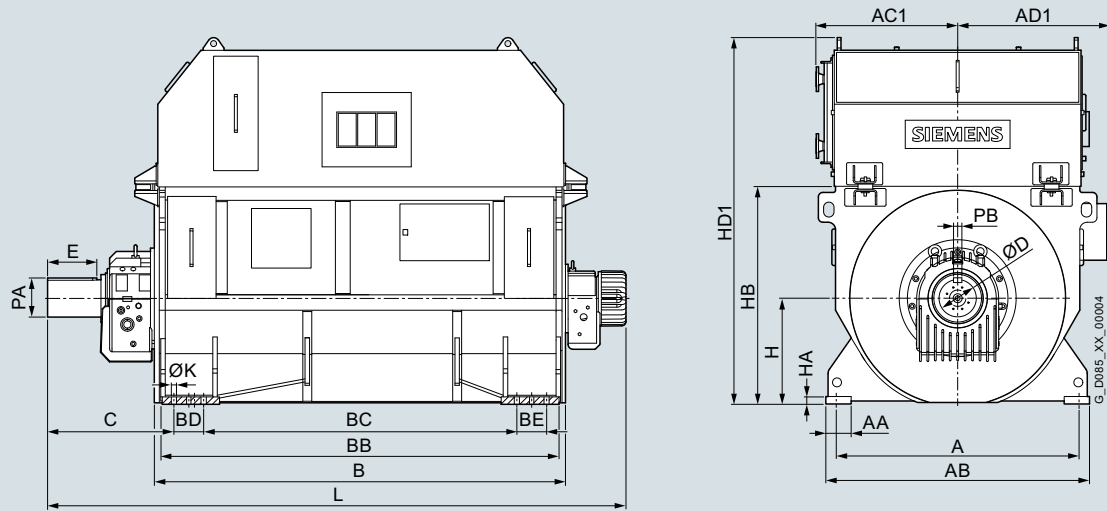
Technical data

Industrial/Marine applications

IC81W cooling method**Dimensional drawings** (continued)

Article No.	Dimensions												
	Ø D mm	E mm	PB mm	PA mm	L mm	B mm	BB mm	BC mm	BD mm	BE mm	C mm	AB mm	A mm
1DK1 (Z ventilation), sleeve bearing													
10-pole, 11 kV, 50 Hz													
1DK1122-1JN10-0NA2	260	330	56	272	3505	2460	2370	1812	200	200	875	1770	1630
1DK1122-1MN10-0NA2	280	380	63	292	3845	2750	2660	2102	200	200	925	1770	1630
1DK1122-1SN10-0NA2	280	380	63	292	3845	2750	2660	2102	200	200	925	1770	1630
1DK1122-1YN10-0NA2	280	380	63	292	4019	2924	2834	2276	200	200	925	1770	1630
1DK1142-1GN10-0NA2	300	380	70	314	3817	2586	2491	1696	400	365	1065	1970	1830
1DK1142-1LN10-0NA2	310	380	70	324	3817	2586	2491	1696	400	365	1065	1970	1830
1DK1142-1TN10-0NA2	330	450	70	344	4119	2818	2723	1928	400	365	1135	1970	1830
1DK1142-1XN10-0NA2	340	450	80	355	4351	3050	2955	2160	400	365	1135	1970	1830
1DK1142-2EN10-0NA2	340	450	80	355	4351	3050	2955	2160	400	365	1135	1970	1830

Article No. (repeated)	Dimensions								Weight kg
	HA mm	AA mm	H mm	HB mm	HD ₁ mm	AC ₁ mm	AD ₁ mm	Ø K mm	
10-pole, 11 kV, 50 Hz									
1DK1122-1JN10-0NA2	50	170	710	1460	2561	940	1020	39	15982
1DK1122-1MN10-0NA2	50	170	710	1460	2561	940	1020	39	16783
1DK1122-1SN10-0NA2	50	170	710	1460	2561	940	1020	39	17899
1DK1122-1YN10-0NA2	50	170	710	1460	2561	940	1020	39	19654
1DK1142-1GN10-0NA2	60	200	800	1630	3325	1050	1825	39	22072
1DK1142-1LN10-0NA2	60	200	800	1630	3155	1050	1825	39	23098
1DK1142-1TN10-0NA2	60	200	800	1630	3121	1050	1825	39	25101
1DK1142-1XN10-0NA2	60	200	800	1630	3121	1050	1825	39	26776
1DK1142-2EN10-0NA2	60	200	800	1630	3121	1050	1825	39	28168

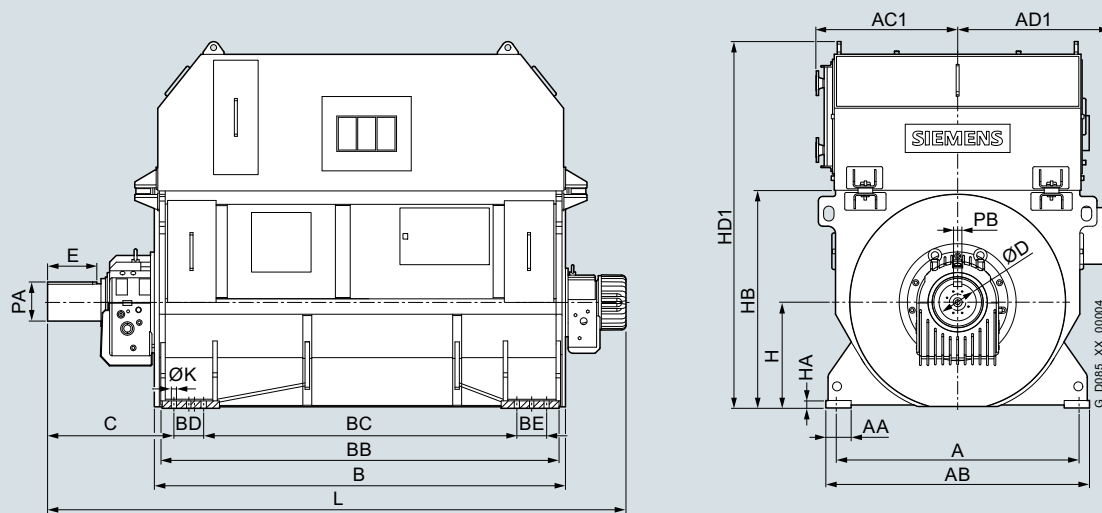
Dimensional drawings (continued)


Article No.	Dimensions												
	Ø D	E	PB	PA	L	B	BB	BC	BD	BE	C	AB	A
	mm	mm	mm	mm	mm	mm	mm	mm	mm	mm	mm	mm	mm
1DK1 (Z ventilation), sleeve bearing													
12-pole, 11 kV, 50 Hz													
1DK1122-1AN12-0NA2	240	330	56	252	3505	2460	2370	1812	200	200	875	1770	1630
1DK1122-1DN12-0NA2	250	330	56	262	3505	2460	2370	1812	200	200	875	1770	1630
1DK1122-1GN12-0NA2	260	330	56	272	3505	2460	2370	1812	200	200	875	1770	1630
1DK1122-1MN12-0NA2	280	380	63	292	3845	2750	2660	2102	200	200	925	1770	1630
1DK1122-1RN12-0NA2	280	380	63	292	3845	2750	2660	2102	200	200	925	1770	1630
1DK1122-1VN12-0NA2	280	380	63	292	3845	2750	2660	2102	200	200	925	1770	1630
1DK1142-1JN12-0NA2	300	380	70	314	3817	2586	2491	1696	400	365	1065	1970	1830
1DK1142-1NN12-0NA2	320	380	70	334	3817	2586	2491	1696	400	365	1065	1970	1830
1DK1142-1SN12-0NA2	330	450	70	344	4119	2818	2723	1928	400	365	1135	1970	1830
1DK1142-1XN12-0NA2	330	450	70	344	4351	3050	2955	2160	400	365	1135	1970	1830

Article No. (repeated)	Dimensions								Weight
	HA	AA	H	HB	HD ₁	AC ₁	AD ₁	Ø K	
	mm	mm	mm	mm	mm	mm	mm	mm	kg
12-pole, 11 kV, 50 Hz									
1DK1122-1AN12-0NA2	50	170	710	1460	2425	940	1020	39	13717
1DK1122-1DN12-0NA2	50	170	710	1460	2425	940	1020	39	14341
1DK1122-1GN12-0NA2	50	170	710	1460	2425	940	1020	39	14994
1DK1122-1MN12-0NA2	50	170	710	1460	2561	940	1020	39	16878
1DK1122-1RN12-0NA2	50	170	710	1460	2561	940	1020	39	17604
1DK1122-1VN12-0NA2	50	170	710	1460	2561	940	1020	39	18387
1DK1142-1JN12-0NA2	60	200	800	1630	3155	1050	1825	39	22838
1DK1142-1NN12-0NA2	60	200	800	1630	3155	1050	1825	39	23770
1DK1142-1SN12-0NA2	60	200	800	1630	3121	1050	1825	39	25187
1DK1142-1XN12-0NA2	60	200	800	1630	3121	1050	1825	39	26909

Technical data

Industrial/Marine applications

IC81W cooling method**Dimensional drawings** (continued)

Article No.	Dimensions												
	Ø D	E	PB	PA	L	B	BB	BC	BD	BE	C	AB	A
	mm	mm	mm	mm	mm	mm	mm	mm	mm	mm	mm	mm	mm

1DK1 (Z ventilation), sleeve bearing

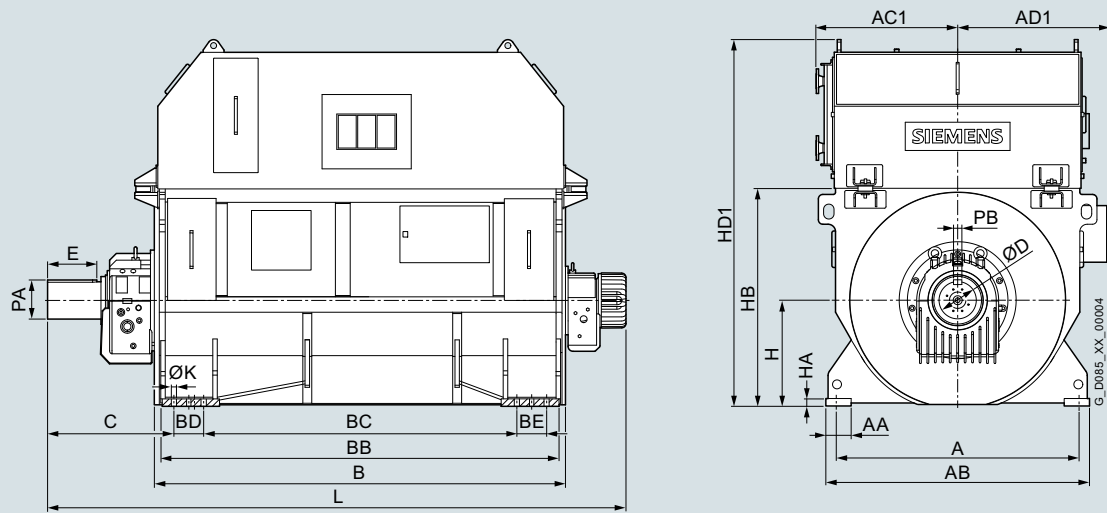
14-pole, 11 kV, 50 Hz

1DK1142-1GN14-0NA2	290	380	63	302	3817	2586	2491	1696	400	365	1065	1970	1830
1DK1142-1NN14-0NA2	300	380	70	314	3817	2586	2491	1696	400	365	1065	1970	1830
1DK1142-1XN14-0NA2	320	380	70	334	4281	3050	2955	2160	400	365	1065	1970	1830
1DK1142-2CN14-0NA2	330	450	70	344	4351	3050	2955	2160	400	365	1135	1970	1830

Article No. (repeated)	Dimensions								Weight
	HA	AA	H	HB	HD ₁	AC ₁	AD ₁	Ø K	
	mm	mm	mm	mm	mm	mm	mm	mm	kg

14-pole, 11 kV, 50 Hz

1DK1142-1GN14-0NA2	60	200	800	1630	3155	1050	1825	39	22257
1DK1142-1NN14-0NA2	60	200	800	1630	3155	1050	1825	39	23856
1DK1142-1XN14-0NA2	60	200	800	1630	3121	1050	1825	39	26890
1DK1142-2CN14-0NA2	60	200	800	1630	3121	1050	1825	39	27898

Dimensional drawings


Article No.	Dimensions												
	Ø D	E	PB	PA	L	B	BB	BC	BD	BE	C	AB	A
	mm	mm	mm	mm	mm	mm	mm	mm	mm	mm	mm	mm	mm

1DK1 (Z ventilation), sleeve bearing

6-pole, 13.8 kV, 60 Hz

1DK1102-0VR06-0NA2	200	280	50	227	3579	2390	2280	1935	-	-	934	1670	1520
1DK1102-0YR06-0NA2	210	280	50	237	3579	2390	2280	1935	-	-	934	1670	1520
1DK1102-1CR06-0NA2	210	280	50	247	3579	2390	2280	1935	-	-	934	1670	1520
1DK1102-1HR06-0NA2	220	280	50	260	3579	2390	2280	1935	-	-	934	1670	1520
1DK1102-1NR06-0NA2	230	330	50	260	3874	2635	2525	2180	-	-	984	1670	1520
1DK1122-1DR06-0NA2	250	330	56	262	3505	2460	2370	1812	200	200	885	1770	1630
1DK1122-1KR06-0NA2	280	380	63	292	3845	2750	2660	2102	200	200	935	1770	1630
1DK1122-1TR06-0NA2	280	380	63	292	4019	2924	2834	2276	200	200	935	1770	1630
1DK1142-1FR06-0NA2	300	380	70	314	3817	2586	2491	1696	400	365	1065	1970	1830
1DK1142-1KR06-0NA2	320	380	70	334	3817	2586	2491	1696	400	365	1065	1970	1830
1DK1142-1PR06-0NA2	330	450	70	344	4119	2818	2723	1928	400	365	1135	1970	1830
1DK1142-1VR06-0NA2	340	450	80	355	4119	2818	2723	1928	400	365	1135	1970	1830

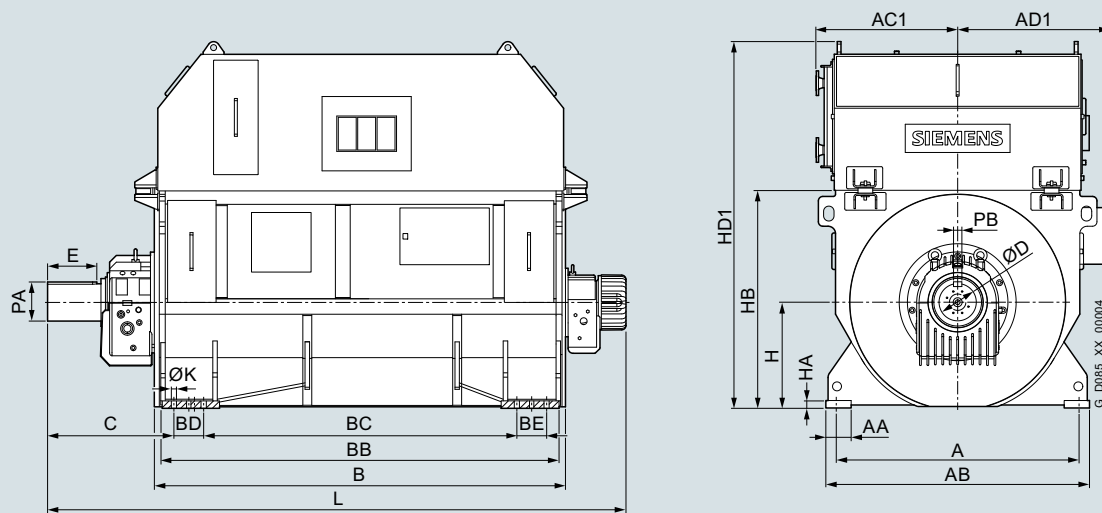
Article No. (repeated)	Dimensions								Weight
	HA	AA	H	HB	HD ₁	AC ₁	AD ₁	Ø K	
	mm	mm	mm	mm	mm	mm	mm	mm	kg

6-pole, 13.8 kV, 60 Hz

1DK1102-0VR06-0NA2	45	170	630	1300	2470	855	950	48	11470
1DK1102-0YR06-0NA2	45	170	630	1300	2470	855	950	48	11942
1DK1102-1CR06-0NA2	45	170	630	1300	2470	855	950	48	12451
1DK1102-1HR06-0NA2	45	170	630	1300	2470	855	950	48	13190
1DK1102-1NR06-0NA2	45	170	630	1300	2470	855	950	48	14465
1DK1122-1DR06-0NA2	50	170	710	1460	2799	940	1020	39	14994
1DK1122-1KR06-0NA2	50	170	710	1460	2833	940	1020	39	16930
1DK1122-1TR06-0NA2	50	170	710	1460	2833	940	1020	39	19057
1DK1142-1FR06-0NA2	60	200	800	1630	3325	1050	1825	39	21945
1DK1142-1KR06-0NA2	60	200	800	1630	3325	1050	1825	39	22939
1DK1142-1PR06-0NA2	60	200	800	1630	3464	1050	1825	39	24629
1DK1142-1VR06-0NA2	60	200	800	1630	3464	1050	1825	39	26075

Technical data

Industrial/Marine applications

IC81W cooling method**Dimensional drawings** (continued)

Article No.	Dimensions												
	Ø D	E	PB	PA	L	B	BB	BC	BD	BE	C	AB	A
	mm	mm	mm	mm	mm	mm	mm	mm	mm	mm	mm	mm	mm

1DK1 (Z ventilation), sleeve bearing

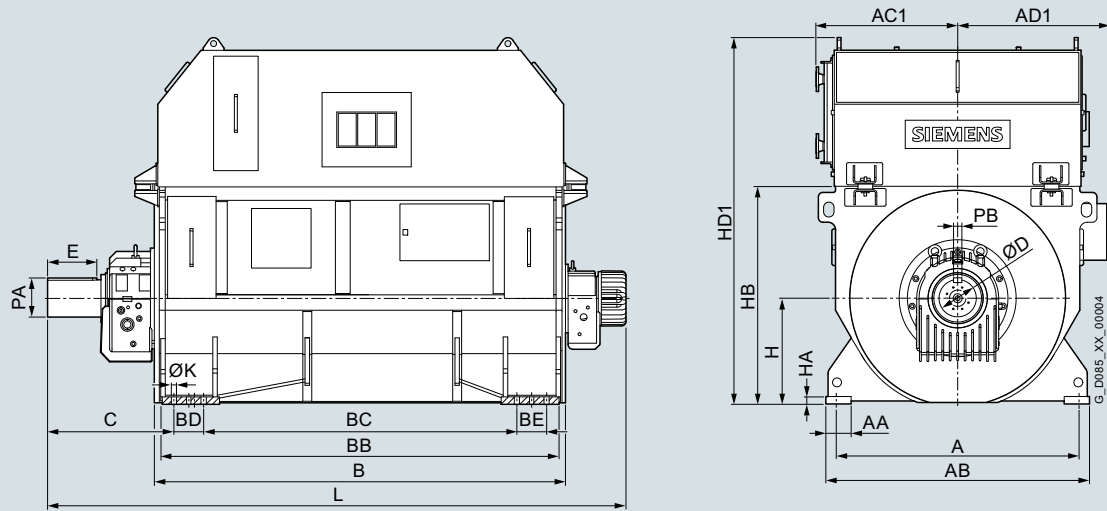
8-pole, 13.8 kV, 60 Hz

1DK1102-OTR08-0NA2	200	280	45	217	3579	2390	2280	1935	-	-	934	1670	1520
1DK1102-0WR08-0NA2	200	280	45	217	3579	2390	2280	1935	-	-	934	1670	1520
1DK1102-1AR08-0NA2	210	280	50	227	3579	2390	2280	1935	-	-	934	1670	1520
1DK1102-1DR08-0NA2	210	280	50	227	3579	2390	2280	1935	-	-	934	1670	1520
1DK1102-1JR08-0NA2	220	280	50	237	3579	2390	2280	1935	-	-	934	1670	1520
1DK1102-1PR08-0NA2	230	330	50	247	3874	2635	2525	2180	-	-	984	1670	1520

Article No. (repeated)	Dimensions									Weight
	HA	AA	H	HB	HD ₁	AC ₁	AD ₁	Ø K	kg	
	mm	mm	mm	mm	mm	mm	mm	mm		

8-pole, 13.8 kV, 60 Hz

1DK1102-OTR08-0NA2	45	170	630	1300	2270	855	950	48	10821
1DK1102-0WR08-0NA2	45	170	630	1300	2270	855	950	48	11306
1DK1102-1AR08-0NA2	45	170	630	1300	2470	855	950	48	11942
1DK1102-1DR08-0NA2	45	170	630	1300	2470	855	950	48	12427
1DK1102-1JR08-0NA2	45	170	630	1300	2470	855	950	48	13284
1DK1102-1PR08-0NA2	45	170	630	1300	2470	855	950	48	14471

Dimensional drawings (continued)


Article No.	Dimensions												
	Ø D	E	PB	PA	L	B	BB	BC	BD	BE	C	AB	A
	mm	mm	mm	mm	mm	mm	mm	mm	mm	mm	mm	mm	mm

1DK1 (Z ventilation), sleeve bearing

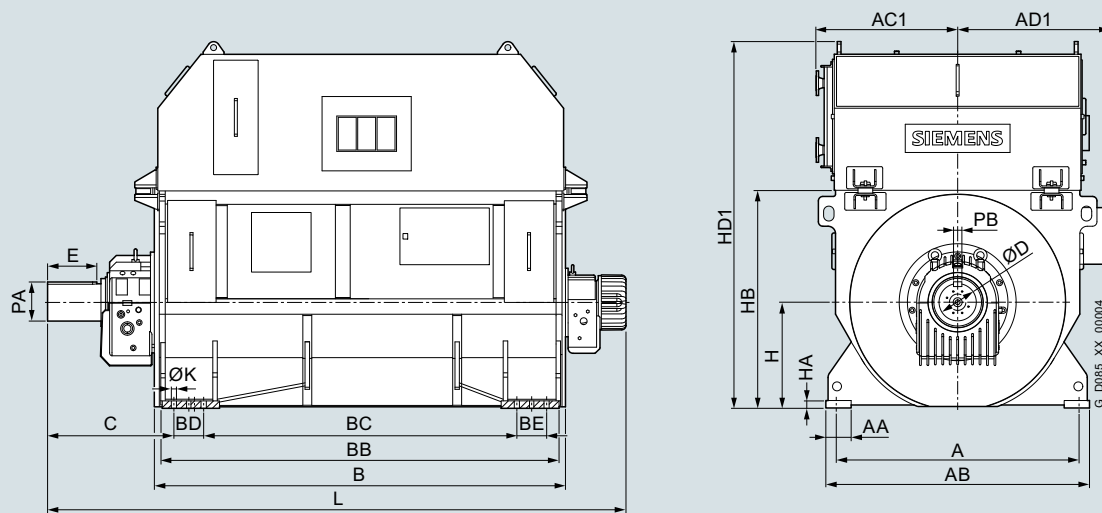
8-pole, 13.8 kV, 60 Hz (continued)

1DK1122-1FR08-0NA2	260	330	56	272	3505	2460	2370	1812	200	200	885	1770	1630
1DK1122-1JR08-0NA2	270	380	63	282	3845	2750	2660	2102	200	200	935	1770	1630
1DK1122-1PR08-0NA2	280	380	63	292	3845	2750	2660	2102	200	200	935	1770	1630
1DK1122-1VR08-0NA2	280	380	63	292	4019	2924	2834	2276	200	200	935	1770	1630
1DK1122-2CR08-0NA2	280	380	63	292	4019	2924	2834	2276	200	200	935	1770	1630
1DK1142-1JR08-0NA2	320	380	70	334	3817	2586	2491	1696	400	365	1065	1970	1830
1DK1142-1LR08-0NA2	330	450	70	344	3887	2586	2491	1696	400	365	1135	1970	1830
1DK1142-1PR08-0NA2	330	450	70	344	4119	2818	2723	1928	400	365	1135	1970	1830
1DK1142-1TR08-0NA2	340	450	80	355	4119	2818	2723	1928	400	365	1135	1970	1830
1DK1142-1XR08-0NA2	340	450	80	355	4351	3050	2955	2160	400	365	1135	1970	1830
1DK1142-2ER08-0NA2	350	450	80	365	4351	3050	2955	2160	400	365	1135	1970	1830

Article No. (repeated)	Dimensions								Weight
	HA	AA	H	HB	HD ₁	AC ₁	AD ₁	Ø K	
	mm	mm	mm	mm	mm	mm	mm	mm	kg
8-pole, 13.8 kV, 60 Hz									
1DK1122-1FR08-0NA2	50	170	710	1460	2425	940	1020	39	15068
1DK1122-1JR08-0NA2	50	170	710	1460	2561	940	1020	39	16449
1DK1122-1PR08-0NA2	50	170	710	1460	2561	940	1020	39	17415
1DK1122-1VR08-0NA2	50	170	710	1460	2833	940	1020	39	19138
1DK1122-2CR08-0NA2	50	170	710	1460	2833	940	1020	39	20410
1DK1142-1JR08-0NA2	60	200	800	1630	3325	1050	1825	39	22458
1DK1142-1LR08-0NA2	60	200	800	1630	3325	1050	1825	39	23002
1DK1142-1PR08-0NA2	60	200	800	1630	3464	1050	1825	39	24327
1DK1142-1TR08-0NA2	60	200	800	1630	3464	1050	1825	39	25306
1DK1142-1XR08-0NA2	60	200	800	1630	3464	1050	1825	39	26838
1DK1142-2ER08-0NA2	60	200	800	1630	3464	1050	1825	39	28336

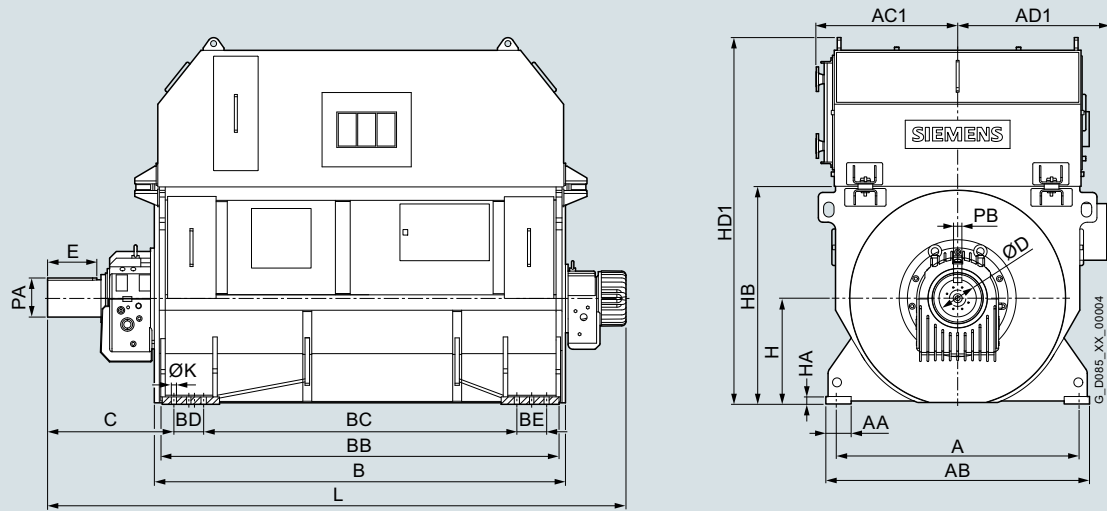
Technical data

Industrial/Marine applications

IC81W cooling method**Dimensional drawings** (continued)

Article No.	Dimensions												
	Ø D mm	E mm	PB mm	PA mm	L mm	B mm	BB mm	BC mm	BD mm	BE mm	C mm	AB mm	A mm
1DK1 (Z ventilation), sleeve bearing													
10-pole, 13.8 kV, 60 Hz													
1DK1122-1JR10-0NA2	260	330	56	272	3505	2460	2370	1812	200	200	875	1770	1630
1DK1122-1MR10-0NA2	280	380	63	292	3845	2750	2660	2102	200	200	925	1770	1630
1DK1122-1SR10-0NA2	280	380	63	292	3845	2750	2660	2102	200	200	925	1770	1630
1DK1122-1YR10-0NA2	280	380	63	292	4019	2924	2834	2276	200	200	925	1770	1630
1DK1142-1GR10-0NA2	300	380	70	314	3817	2586	2491	1696	400	365	1065	1970	1830
1DK1142-1LR10-0NA2	330	450	70	344	3887	2586	2491	1696	400	365	1135	1970	1830
1DK1142-1TR10-0NA2	330	450	70	344	4119	2818	2723	1928	400	365	1135	1970	1830
1DK1142-1XR10-0NA2	340	450	80	355	4351	3050	2955	2160	400	365	1135	1970	1830
1DK1142-2ER10-0NA2	340	450	80	355	4351	3050	2955	2160	400	365	1135	1970	1830

Article No. (repeated)	Dimensions								Weight kg
	HA mm	AA mm	H mm	HB mm	HD ₁ mm	AC ₁ mm	AD ₁ mm	Ø K mm	
10-pole, 13.8 kV, 60 Hz									
1DK1122-1JR10-0NA2	50	170	710	1460	2561	940	1020	39	15983
1DK1122-1MR10-0NA2	50	170	710	1460	2561	940	1020	39	16953
1DK1122-1SR10-0NA2	50	170	710	1460	2561	940	1020	39	18016
1DK1122-1YR10-0NA2	50	170	710	1460	2561	940	1020	39	19666
1DK1142-1GR10-0NA2	60	200	800	1630	3155	1050	1825	39	22086
1DK1142-1LR10-0NA2	60	200	800	1630	3155	1050	1825	39	23122
1DK1142-1TR10-0NA2	60	200	800	1630	3121	1050	1825	39	25299
1DK1142-1XR10-0NA2	60	200	800	1630	3121	1050	1825	39	26655
1DK1142-2ER10-0NA2	60	200	800	1630	3121	1050	1825	39	28204

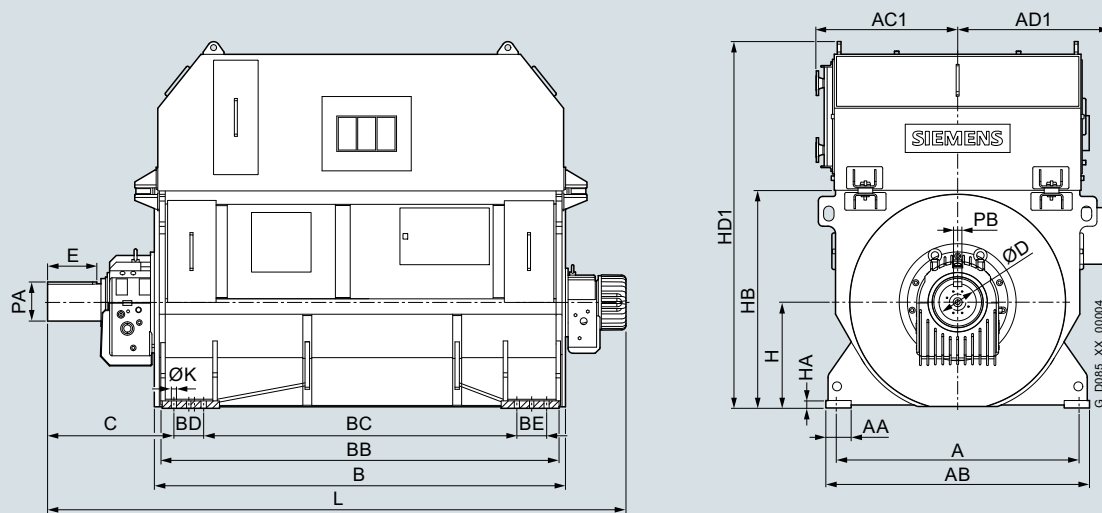
Dimensional drawings (continued)


Article No.	Dimensions												
	Ø D	E	PB	PA	L	B	BB	BC	BD	BE	C	AB	A
	mm	mm	mm	mm	mm	mm	mm	mm	mm	mm	mm	mm	mm
1DK1 (Z ventilation), sleeve bearing													
12-pole, 13.8 kV, 60 Hz													
1DK1122-1AR12-0NA2	250	330	56	262	3505	2460	2370	1812	200	200	875	1770	1630
1DK1122-1DR12-0NA2	250	330	56	262	3505	2460	2370	1812	200	200	875	1770	1630
1DK1122-1GR12-0NA2	260	330	56	272	3505	2460	2370	1812	200	200	875	1770	1630
1DK1122-1MR12-0NA2	280	380	63	292	3845	2750	2660	2102	200	200	925	1770	1630
1DK1122-1RR12-0NA2	280	380	63	292	3845	2750	2660	2102	200	200	925	1770	1630
1DK1122-1VR12-0NA2	280	380	63	292	3845	2750	2660	2102	200	200	925	1770	1630
1DK1142-1JR12-0NA2	300	380	70	314	3817	2586	2491	1696	400	365	1065	1970	1830
1DK1142-1NR12-0NA2	320	380	70	334	3817	2586	2491	1696	400	365	1065	1970	1830
1DK1142-1SR12-0NA2	330	450	70	344	4119	2818	2723	1928	400	365	1135	1970	1830
1DK1142-1XR12-0NA2	330	450	70	344	4351	3050	2955	2160	400	365	1135	1970	1830

Article No. (repeated)	Dimensions								Weight
	HA	AA	H	HB	HD ₁	AC ₁	AD ₁	Ø K	
	mm	mm	mm	mm	mm	mm	mm	mm	kg
12-pole, 13.8 kV, 60 Hz									
1DK1122-1AR12-0NA2	50	170	710	1460	2799	940	1020	39	14063
1DK1122-1DR12-0NA2	50	170	710	1460	2799	940	1020	39	14698
1DK1122-1GR12-0NA2	50	170	710	1460	2799	940	1020	39	15320
1DK1122-1MR12-0NA2	50	170	710	1460	2561	940	1020	39	16789
1DK1122-1RR12-0NA2	50	170	710	1460	2561	940	1020	39	17641
1DK1122-1VR12-0NA2	50	170	710	1460	2561	940	1020	39	18354
1DK1142-1JR12-0NA2	60	200	800	1630	3155	1050	1825	39	22754
1DK1142-1NR12-0NA2	60	200	800	1630	3155	1050	1825	39	23768
1DK1142-1SR12-0NA2	60	200	800	1630	3121	1050	1825	39	25206
1DK1142-1XR12-0NA2	60	200	800	1630	3121	1050	1825	39	26940

Technical data

Industrial/Marine applications

IC81W cooling method**Dimensional drawings** (continued)

Article No.	Dimensions												
	Ø D	E	PB	PA	L	B	BB	BC	BD	BE	C	AB	A
	mm	mm	mm	mm	mm	mm	mm	mm	mm	mm	mm	mm	mm

1DK1 (Z ventilation), sleeve bearing

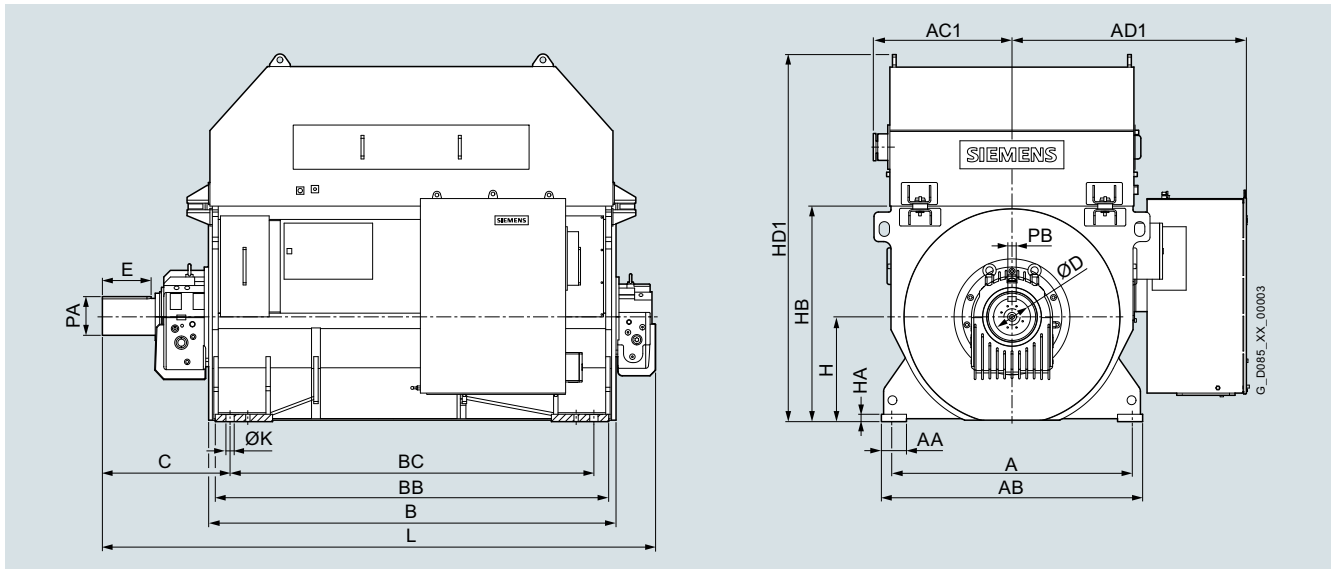
14-pole, 13.8 kV, 60 Hz

1DK1122-1DR14-0NA2	230	330	50	241	3505	2460	2370	1812	200	200	875	1770	1630
1DK1122-1JR14-0NA2	240	330	56	252	3505	2460	2370	1812	200	200	875	1770	1630
1DK1122-1RR14-0NA2	240	330	56	252	3795	2750	2660	2102	200	200	875	1770	1630
1DK1122-1XR14-0NA2	240	330	56	252	3795	2750	2660	2102	200	200	875	1770	1630
1DK1142-1NR14-0NA2	300	380	70	314	3817	2586	2491	1696	400	365	1065	1970	1830
1DK1142-1XR14-0NA2	330	450	70	344	3887	2586	2491	1696	400	365	1135	1970	1830
1DK1142-2CR14-0NA2	330	450	70	344	4351	3050	2955	2160	400	365	1135	1970	1830

Article No. (repeated)	Dimensions								Weight
	HA	AA	H	HB	HD ₁	AC ₁	AD ₁	Ø K	
	mm	mm	mm	mm	mm	mm	mm	mm	kg

14-pole, 13.8 kV, 60 Hz

1DK1122-1DR14-0NA2	50	170	710	1460	2425	940	1020	39	14266
1DK1122-1JR14-0NA2	50	170	710	1460	2425	940	1020	39	15284
1DK1122-1RR14-0NA2	50	170	710	1460	2561	940	1020	39	17390
1DK1122-1XR14-0NA2	50	170	710	1460	2561	940	1020	39	18455
1DK1142-1NR14-0NA2	60	200	800	1630	3155	1050	1825	39	23791
1DK1142-1XR14-0NA2	60	200	800	1630	3155	1050	1825	39	26034
1DK1142-2CR14-0NA2	60	200	800	1630	3121	1050	1825	39	27924

Dimensional drawings


Article No.	Dimensions												
	Ø D	E	PB	PA	L	B	BB	BC	BD	BE	C	AB	A
	mm	mm	mm	mm	mm	mm	mm	mm	mm	mm	mm	mm	mm

1DT1 (X ventilation), sleeve bearing

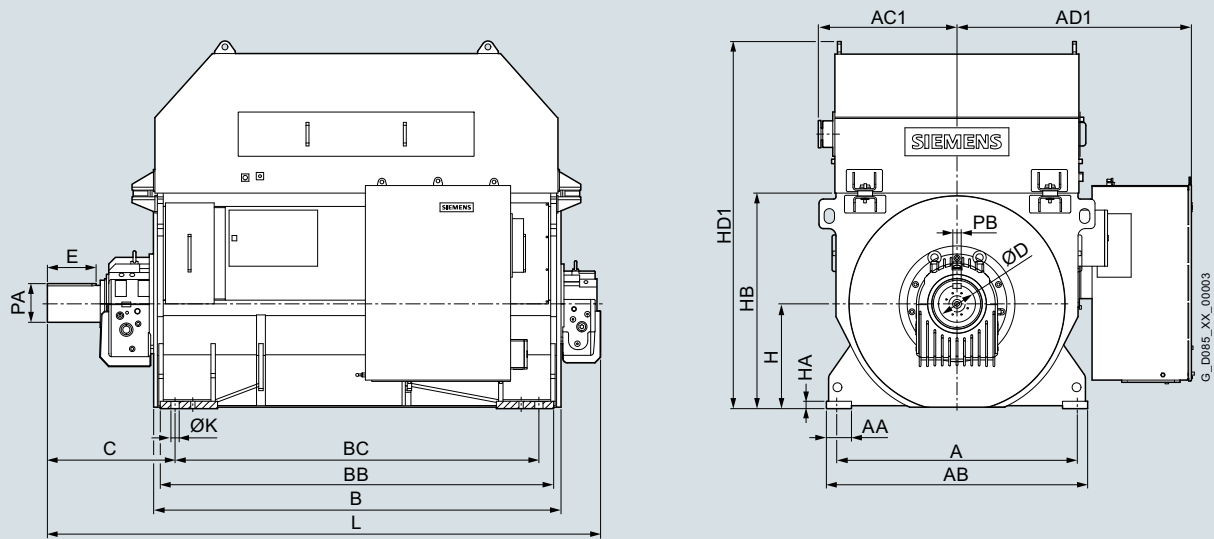
4-pole, 3.3 kV, 50 Hz

1DT1102-1BE04-0NA2	220	280	50	227	3245	2370	2280	1935	-	-	848	1670	1520
1DT1102-1EE04-0NA2	230	330	50	227	3295	2370	2280	1935	-	-	898	1670	1520
1DT1102-1JE04-0NA2	240	330	50	247	3447	2615	2525	2180	-	-	805	1670	1520
1DT1102-1PE04-0NA2	210	280	50	227	3397	2615	2525	2180	-	-	755	1670	1520
1DT1102-1TE04-0NA2	210	280	50	227	3652	2870	2780	2435	-	-	755	1670	1520
1DT1102-1YE04-0NA2	210	280	50	227	3652	2870	2780	2435	-	-	755	1670	1520
1DT1122-1PE04-0NA2	240	330	56	252	3820	2750	2660	2465	-	-	925	1770	1630
1DT1122-1TE04-0NA2	250	330	56	262	3820	2750	2660	2465	-	-	925	1770	1630
1DT1122-2CE04-0NA2	280	380	63	292	4044	2924	2834	2639	-	-	975	1770	1630
1DT1142-1XE04-0NA2	330	450	70	344	4092	2818	2723	2443	-	-	1100	1970	1830
1DT1142-2ME04-0NA2	360	450	80	375	4890	3050	2955	2675	-	-	980	1970	1830

Article No. (repeated)	Dimensions								Weight
	HA	AA	H	HB	HD ₁	AC ₁	AD ₁	Ø K	
	mm	mm	mm	mm	mm	mm	mm	mm	kg
4-pole, 3.3 kV, 50 Hz									
1DT1102-1BE04-0NA2	45	170	630	1300	2440	855	1840	48	12359
1DT1102-1EE04-0NA2	45	170	630	1300	2440	855	1840	48	12887
1DT1102-1JE04-0NA2	45	170	630	1300	2440	855	1840	48	13896
1DT1102-1PE04-0NA2	45	170	630	1300	2440	855	1840	48	14660
1DT1102-1TE04-0NA2	45	170	630	1300	2440	855	1840	48	15485
1DT1102-1YE04-0NA2	45	170	630	1300	2440	855	1840	48	16329
1DT1122-1PE04-0NA2	50	170	710	1460	2490	940	1715	56	17519
1DT1122-1TE04-0NA2	50	170	710	1460	2490	940	1715	56	18178
1DT1122-2CE04-0NA2	50	170	710	1460	2490	940	1715	56	20003
1DT1142-1XE04-0NA2	60	200	800	1630	2570	1050	1825	56	25525
1DT1142-2ME04-0NA2	60	200	800	1630	2570	1050	1825	56	30816

Technical data

Industrial/Marine applications

IC81W cooling method**Dimensional drawings**

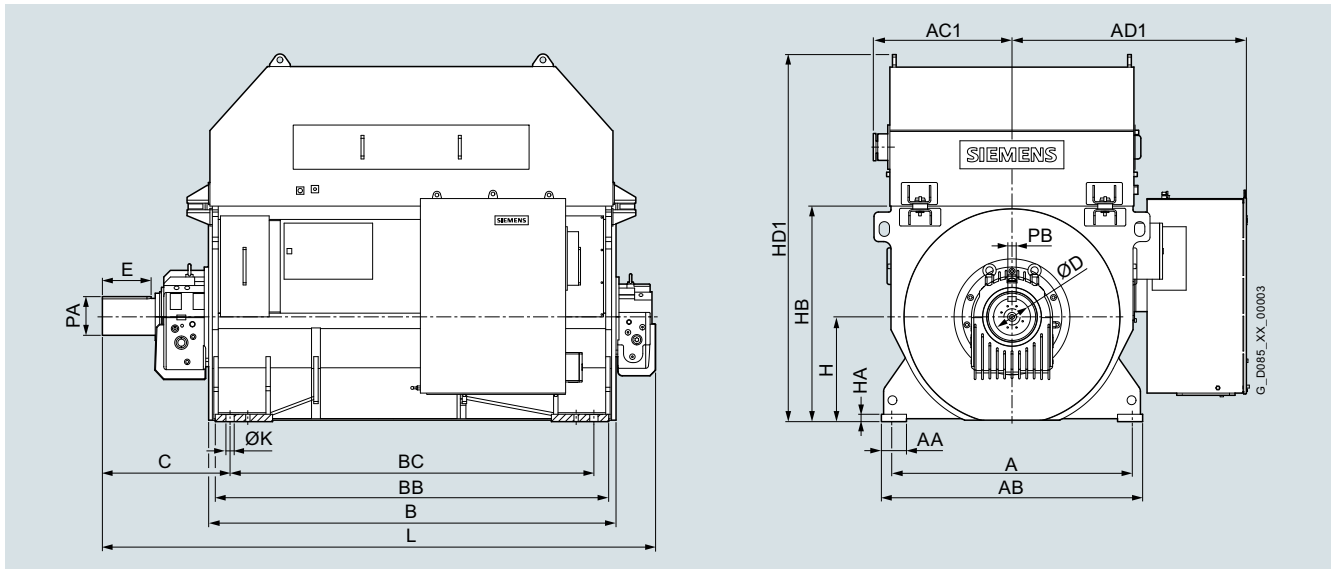
Article No.	Dimensions												
	Ø D mm	E mm	PB mm	PA mm	L mm	B mm	BB mm	BC mm	BD mm	BE mm	C mm	AB mm	A mm

1DT1 (X ventilation), sleeve bearing

4-pole, 4.16 kV, 60 Hz

1DT1102-0VF04-0NA2	210	280	50	215	3245	2370	2280	1935	-	-	848	1670	1520
1DT1102-0XF04-0NA2	210	280	50	227	3245	2370	2280	1935	-	-	848	1670	1520
1DT1102-1BF04-0NA2	230	330	50	227	3295	2370	2280	1935	-	-	898	1670	1520
1DT1102-1EF04-0NA2	230	330	50	237	3295	2370	2280	1935	-	-	898	1670	1520
1DT1102-1JF04-0NA2	200	280	45	215	3397	2615	2525	2180	-	-	755	1670	1520
1DT1102-1PF04-0NA2	210	280	50	217	3397	2615	2525	2180	-	-	755	1670	1520
1DT1122-1HF04-0NA2	240	330	56	252	3530	2460	2370	2175	-	-	925	1770	1630
1DT1122-1PF04-0NA2	240	330	56	252	3820	2750	2660	2465	-	-	925	1770	1630
1DT1122-1WF04-0NA2	260	380	63	272	4700	2750	2660	2465	-	-	860	1770	1630
1DT1122-2CF04-0NA2	270	380	63	282	4700	2750	2660	2465	-	-	860	1770	1630
1DT1142-1NF04-0NA2	300	380	70	314	3790	2586	2491	2211	-	-	1030	1970	1830
1DT1142-1XF04-0NA2	330	450	70	344	3960	2818	2723	2443	-	-	980	1970	1830

Article No. (repeated)	Dimensions								Weight kg
	HA mm	AA mm	H mm	HB mm	HD ₁ mm	AC ₁ mm	AD ₁ mm	Ø K mm	
4-pole, 4.16 kV, 60 Hz									
1DT1102-0VF04-0NA2	45	170	630	1300	2440	855	1840	48	11624
1DT1102-0XF04-0NA2	45	170	630	1300	2440	855	1840	48	11934
1DT1102-1BF04-0NA2	45	170	630	1300	2440	855	1840	48	12344
1DT1102-1EF04-0NA2	45	170	630	1300	2440	855	1840	48	12894
1DT1102-1JF04-0NA2	45	170	630	1300	2440	855	1840	48	13910
1DT1102-1PF04-0NA2	45	170	630	1300	2440	855	1840	48	14653
1DT1122-1HF04-0NA2	50	170	710	1460	2490	940	1715	56	16057
1DT1122-1PF04-0NA2	50	170	710	1460	2490	940	1715	56	17437
1DT1122-1WF04-0NA2	50	170	710	1460	2490	940	1715	56	20649
1DT1122-2CF04-0NA2	50	170	710	1460	2490	940	1715	56	21673
1DT1142-1NF04-0NA2	60	200	800	1630	2570	1050	1825	56	22907
1DT1142-1XF04-0NA2	60	200	800	1630	2570	1050	1825	56	25371

Dimensional drawings


Article No.	Dimensions												
	Ø D	E	PB	PA	L	B	BB	BC	BD	BE	C	AB	A
	mm	mm	mm	mm	mm	mm	mm	mm	mm	mm	mm	mm	mm

1DT1 (X ventilation), sleeve bearing

4-pole, 6.3 kV, 50 Hz

1DT1102-1BH04-0NA2	220	280	50	227	3245	2370	2280	1935	-	-	848	1670	1520
1DT1102-1EH04-0NA2	230	330	50	247	3295	2370	2280	1935	-	-	898	1670	1520
1DT1102-1JH04-0NA2	240	330	56	260	3447	2615	2525	2180	-	-	805	1670	1520
1DT1102-1PH04-0NA2	210	280	50	227	3397	2615	2525	2180	-	-	755	1670	1520
1DT1102-1TH04-0NA2	210	280	50	227	3652	2870	2780	2435	-	-	755	1670	1520
1DT1102-1YH04-0NA2	210	280	50	227	3652	2870	2780	2435	-	-	755	1670	1520

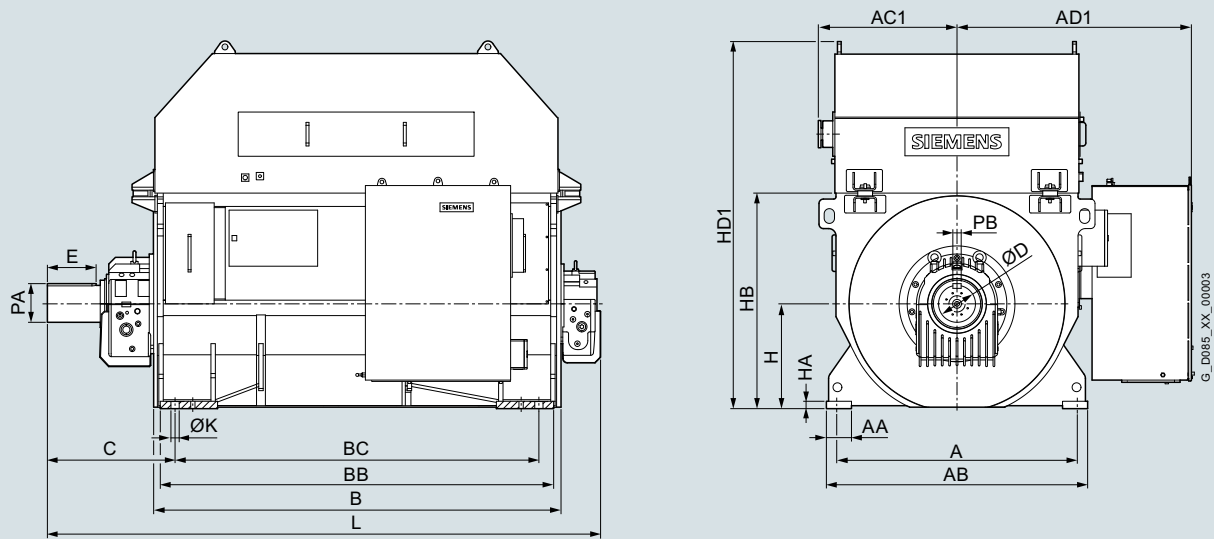
Article No. (repeated)	Dimensions								Weight
	HA	AA	H	HB	HD ₁	AC ₁	AD ₁	Ø K	
	mm	mm	mm	mm	mm	mm	mm	mm	kg

4-pole, 6.3 kV, 50 Hz

1DT1102-1BH04-0NA2	45	170	630	1300	2440	855	1840	48	12278
1DT1102-1EH04-0NA2	45	170	630	1300	2440	855	1840	48	12788
1DT1102-1JH04-0NA2	45	170	630	1300	2440	855	1840	48	13807
1DT1102-1PH04-0NA2	45	170	630	1300	2440	855	1840	48	14583
1DT1102-1TH04-0NA2	45	170	630	1300	2440	855	1840	48	15396
1DT1102-1YH04-0NA2	45	170	630	1300	2440	855	1840	48	16230

Technical data

Industrial/Marine applications

IC81W cooling method**Dimensional drawings**

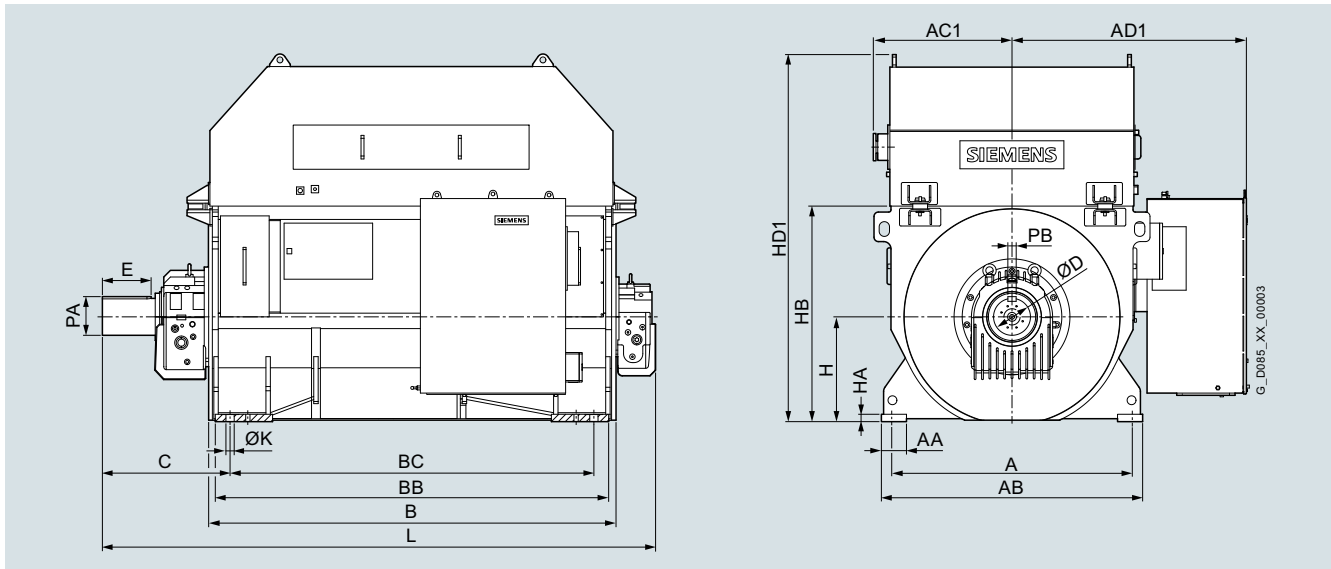
Article No.	Dimensions												
	Ø D	E	PB	PA	L	B	BB	BC	BD	BE	C	AB	A
	mm	mm	mm	mm	mm	mm	mm	mm	mm	mm	mm	mm	mm

1DT1 (X ventilation), sleeve bearing

4-pole, 6.3 kV, 50 Hz (continued)

1DT1122-1PH04-0NA2	240	330	56	252	3820	2750	2660	2465	-	-	925	1770	1630
1DT1122-1TH04-0NA2	250	330	56	262	3820	2750	2660	2465	-	-	925	1770	1630
1DT1122-1WH04-0NA2	260	330	56	272	3994	2924	2834	2639	-	-	925	1770	1630
1DT1122-2CH04-0NA2	280	380	63	292	4044	2924	2834	2639	-	-	975	1770	1630
1DT1122-2HH04-0NA2	280	380	63	292	4874	2924	2834	2639	-	-	860	1770	1630
1DT1142-1TH04-0NA2	330	450	70	344	4092	2818	2723	2443	-	-	1100	1970	1830
1DT1142-1XH04-0NA2	330	450	70	344	4092	2818	2723	2443	-	-	1100	1970	1830
1DT1142-2EH04-0NA2	340	450	80	355	4192	3050	2955	2675	-	-	980	1970	1830
1DT1142-2MH04-0NA2	360	450	80	375	4890	3050	2955	2675	-	-	980	1970	1830

Article No. (repeated)	Dimensions								Weight
	HA	AA	H	HB	HD ₁	AC ₁	AD ₁	Ø K	
	mm	mm	mm	mm	mm	mm	mm	mm	kg
4-pole, 6.3 kV, 50 Hz									
1DT1122-1PH04-0NA2	50	170	710	1460	2490	940	1715	56	17519
1DT1122-1TH04-0NA2	50	170	710	1460	2490	940	1715	56	18178
1DT1122-1WH04-0NA2	50	170	710	1460	2490	940	1715	56	19226
1DT1122-2CH04-0NA2	50	170	710	1460	2490	940	1715	56	20003
1DT1122-2HH04-0NA2	50	170	710	1460	2490	940	1715	56	22874
1DT1142-1TH04-0NA2	60	200	800	1630	2570	1050	1825	56	24522
1DT1142-1XH04-0NA2	60	200	800	1630	2570	1050	1825	56	25525
1DT1142-2EH04-0NA2	60	200	800	1630	2570	1050	1825	56	27257
1DT1142-2MH04-0NA2	60	200	800	1630	2570	1050	1825	56	30816

Dimensional drawings


Article No.	Dimensions												
	Ø D	E	PB	PA	L	B	BB	BC	BD	BE	C	AB	A
	mm	mm	mm	mm	mm	mm	mm	mm	mm	mm	mm	mm	mm

1DT1 (X ventilation), sleeve bearing

4-pole, 6.6 kV, 60 Hz

1DT1102-0VK04-0NA2	210	280	50	217	3245	2370	2280	1935	–	–	848	1670	1520
1DT1102-0XK04-0NA2	210	280	50	217	3245	2370	2280	1935	–	–	848	1670	1520
1DT1102-1BK04-0NA2	220	280	50	237	3245	2370	2280	1935	–	–	848	1670	1520
1DT1102-1EK04-0NA2	230	330	50	247	3295	2370	2280	1935	–	–	898	1670	1520
1DT1102-1JK04-0NA2	200	280	45	215	3397	2615	2525	2180	–	–	755	1670	1520
1DT1102-1PK04-0NA2	210	280	50	227	3397	2615	2525	2180	–	–	755	1670	1520

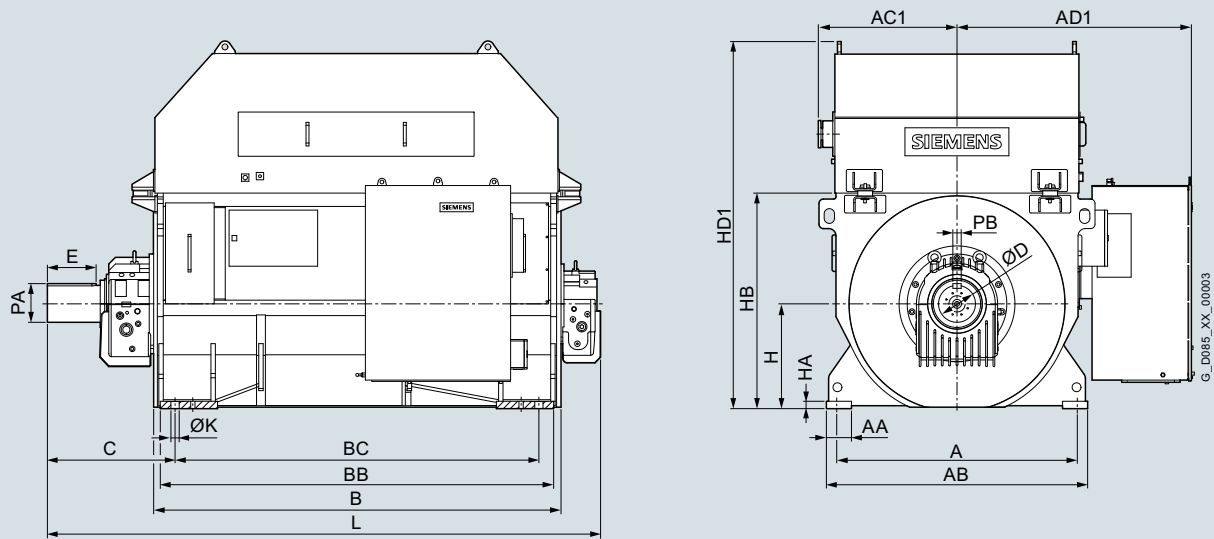
Article No. (repeated)	Dimensions								Weight
	HA	AA	H	HB	HD ₁	AC ₁	AD ₁	Ø K	
	mm	mm	mm	mm	mm	mm	mm	mm	kg

4-pole, 6.6 kV, 60 Hz

1DT1102-0VK04-0NA2	45	170	630	1300	2440	855	1840	48	11550
1DT1102-0XK04-0NA2	45	170	630	1300	2440	855	1840	48	11818
1DT1102-1BK04-0NA2	45	170	630	1300	2440	855	1840	48	12262
1DT1102-1EK04-0NA2	45	170	630	1300	2440	855	1840	48	12793
1DT1102-1JK04-0NA2	45	170	630	1300	2440	855	1840	48	13819
1DT1102-1PK04-0NA2	45	170	630	1300	2440	855	1840	48	14560

Technical data

Industrial/Marine applications

IC81W cooling method**Dimensional drawings** (continued)

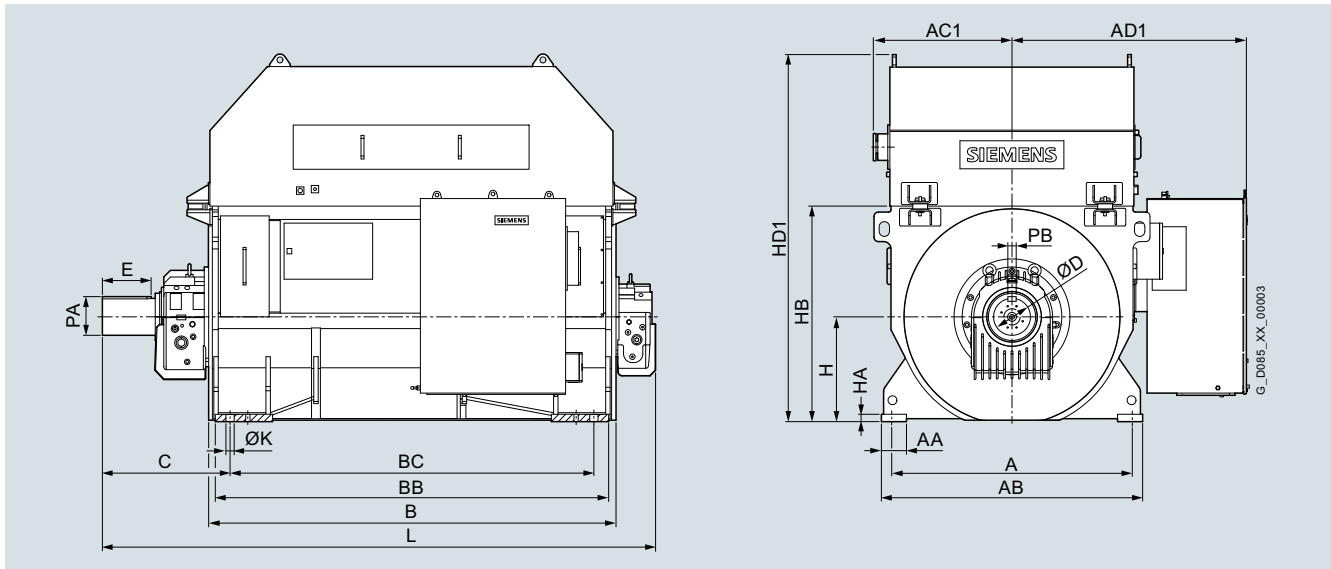
Article No.	Dimensions												
	Ø D	E	PB	PA	L	B	BB	BC	BD	BE	C	AB	A
	mm	mm	mm	mm	mm	mm	mm	mm	mm	mm	mm	mm	mm

1DT1 (X ventilation), sleeve bearing

4-pole, 6.6 kV, 60 Hz (continued)

1DT1122-1HK04-0NA2	240	330	56	252	3530	2460	2370	2175	-	-	925	1770	1630
1DT1122-1PK04-0NA2	240	330	56	252	3820	2750	2660	2465	-	-	925	1770	1630
1DT1122-1TK04-0NA2	250	330	56	262	3820	2750	2660	2465	-	-	925	1770	1630
1DT1122-1WK04-0NA2	260	380	63	272	4700	2750	2660	2465	-	-	860	1770	1630
1DT1122-2CK04-0NA2	270	380	63	282	4700	2750	2660	2465	-	-	860	1770	1630
1DT1142-1NK04-0NA2	300	380	70	314	3790	2586	2491	2211	-	-	1030	1970	1830
1DT1142-1TK04-0NA2	330	450	70	344	3960	2818	2723	2443	-	-	980	1970	1830
1DT1142-1XK04-0NA2	330	450	70	344	3960	2818	2723	2443	-	-	980	1970	1830
1DT1142-2EK04-0NA2	340	450	80	355	4658	2818	2723	2443	-	-	980	1970	1830

Article No. (repeated)	Dimensions								Weight
	HA	AA	H	HB	HD ₁	AC ₁	AD ₁	Ø K	
	mm	mm	mm	mm	mm	mm	mm	mm	kg
4-pole, 6.6 kV, 60 Hz									
1DT1122-1HK04-0NA2	50	170	710	1460	2490	940	1715	56	16057
1DT1122-1PK04-0NA2	50	170	710	1460	2490	940	1715	56	17437
1DT1122-1TK04-0NA2	50	170	710	1460	2490	940	1715	56	18296
1DT1122-1WK04-0NA2	50	170	710	1460	2490	940	1715	56	20649
1DT1122-2CK04-0NA2	50	170	710	1460	2490	940	1715	56	21673
1DT1142-1NK04-0NA2	60	200	800	1630	2570	1050	1825	56	22907
1DT1142-1TK04-0NA2	60	200	800	1630	2570	1050	1825	56	24572
1DT1142-1XK04-0NA2	60	200	800	1630	2570	1050	1825	56	25371
1DT1142-2EK04-0NA2	60	200	800	1630	2570	1050	1825	56	28632

Dimensional drawings


Article No.	Dimensions												
	Ø D	E	PB	PA	L	B	BB	BC	BD	BE	C	AB	A
	mm	mm	mm	mm	mm	mm	mm	mm	mm	mm	mm	mm	mm

1DT1 (X ventilation), sleeve bearing

4-pole, 11 kV, 50 Hz

1DT1102-1BN04-0NA2	220	280	50	227	3245	2370	2280	1935	-	-	848	1670	1520
1DT1102-1EN04-0NA2	230	330	50	227	3295	2370	2280	1935	-	-	898	1670	1520
1DT1102-1JN04-0NA2	230	330	50	237	3447	2615	2525	2180	-	-	805	1670	1520
1DT1102-1PN04-0NA2	200	280	45	215	3397	2615	2525	2180	-	-	755	1670	1520
1DT1102-1TN04-0NA2	210	280	50	227	3652	2870	2780	2435	-	-	755	1670	1520
1DT1102-1YN04-0NA2	210	280	50	227	3652	2870	2780	2435	-	-	755	1670	1520

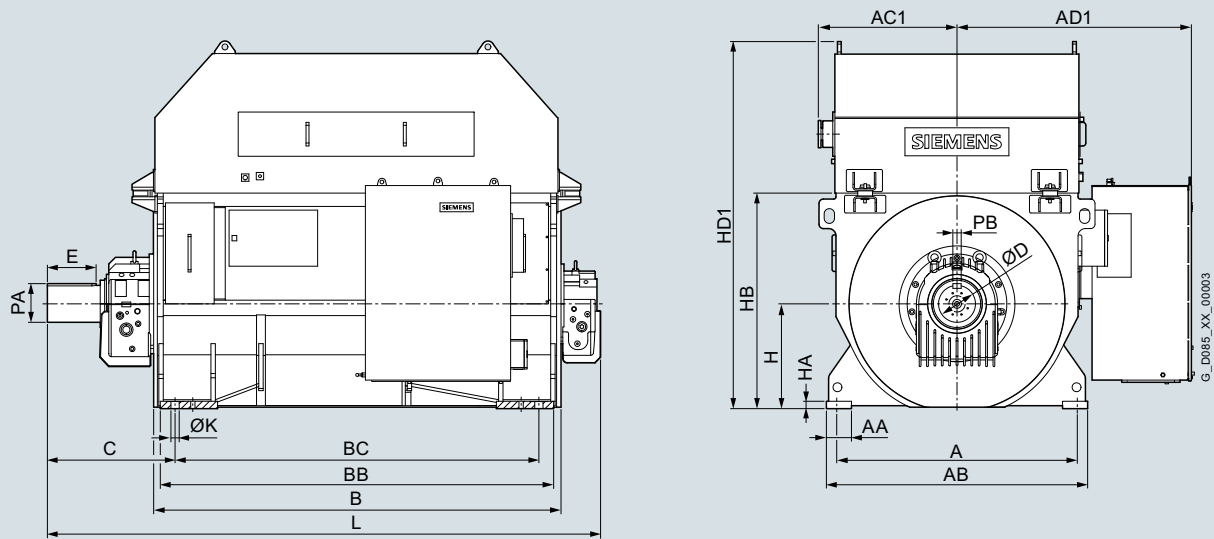
Article No. (repeated)	Dimensions								Weight
	HA	AA	H	HB	HD ₁	AC ₁	AD ₁	Ø K	
	mm	mm	mm	mm	mm	mm	mm	mm	kg

4-pole, 11 kV, 50 Hz

1DT1102-1BN04-0NA2	45	170	630	1300	2440	855	1840	48	12204
1DT1102-1EN04-0NA2	45	170	630	1300	2440	855	1840	48	12724
1DT1102-1JN04-0NA2	45	170	630	1300	2440	855	1840	48	13727
1DT1102-1PN04-0NA2	45	170	630	1300	2440	855	1840	48	14486
1DT1102-1TN04-0NA2	45	170	630	1300	2440	855	1840	48	15302
1DT1102-1YN04-0NA2	45	170	630	1300	2440	855	1840	48	16145

Technical data

Industrial/Marine applications

IC81W cooling method**Dimensional drawings** (continued)

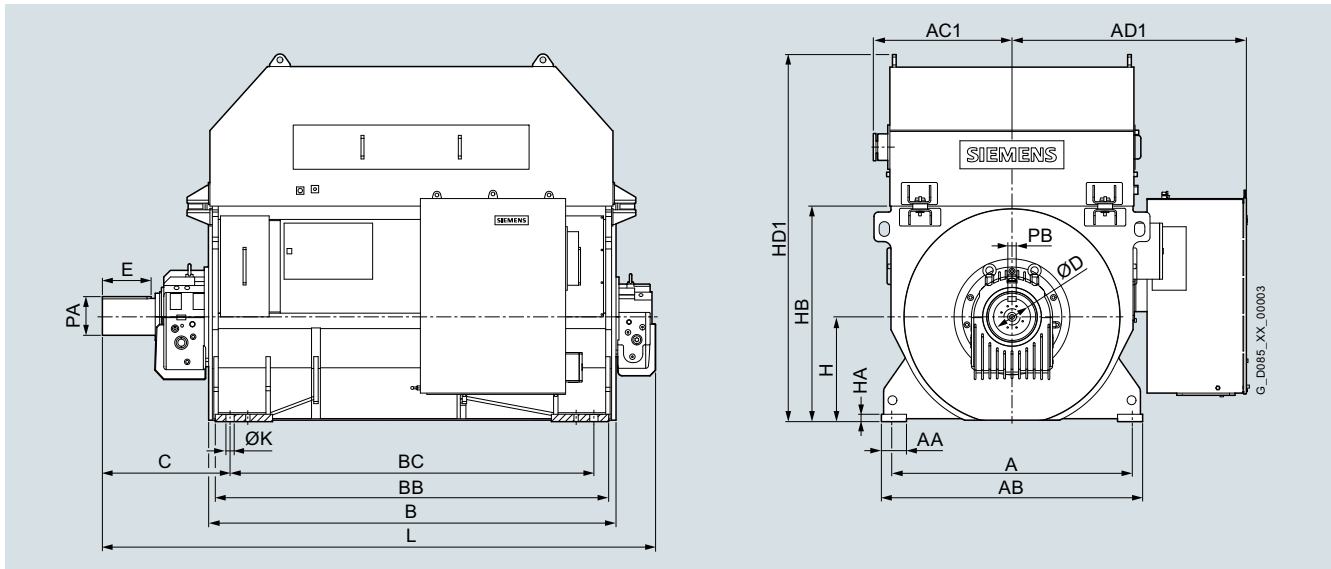
Article No.	Dimensions												
	Ø D	E	PB	PA	L	B	BB	BC	BD	BE	C	AB	A
	mm	mm	mm	mm	mm	mm	mm	mm	mm	mm	mm	mm	mm

1DT1 (X ventilation), sleeve bearing

4-pole, 11 kV, 50 Hz (continued)

1DT1122-1PN04-0NA2	240	330	56	252	3820	2750	2660	2465	-	-	925	1770	1630
1DT1122-1TN04-0NA2	250	330	56	262	3820	2750	2660	2465	-	-	925	1770	1630
1DT1122-1WN04-0NA2	260	330	56	272	3994	2924	2834	2639	-	-	925	1770	1630
1DT1122-2CN04-0NA2	280	380	63	292	4044	2924	2834	2639	-	-	975	1770	1630
1DT1122-2HN04-0NA2	280	380	63	292	4874	2924	2834	2639	-	-	860	1770	1630
1DT1142-1TN04-0NA2	330	450	70	344	4092	2818	2723	2443	-	-	1100	1970	1830
1DT1142-1XN04-0NA2	330	450	70	344	4092	2818	2723	2443	-	-	1100	1970	1830
1DT1142-2EN04-0NA2	340	450	80	355	4192	3050	2955	2675	-	-	980	1970	1830
1DT1142-2MN04-0NA2	360	450	80	375	4890	3050	2955	2675	-	-	980	1970	1830

Article No. (repeated)	Dimensions								Weight
	HA	AA	H	HB	HD ₁	AC ₁	AD ₁	Ø K	
	mm	mm	mm	mm	mm	mm	mm	mm	kg
4-pole, 11 kV, 50 Hz									
1DT1122-1PN04-0NA2	50	170	710	1460	2490	940	1715	56	17519
1DT1122-1TN04-0NA2	50	170	710	1460	2490	940	1715	56	18178
1DT1122-1WN04-0NA2	50	170	710	1460	2490	940	1715	56	19226
1DT1122-2CN04-0NA2	50	170	710	1460	2490	940	1715	56	20003
1DT1122-2HN04-0NA2	50	170	710	1460	2490	940	1715	56	22874
1DT1142-1TN04-0NA2	60	200	800	1630	2570	1050	1825	56	24522
1DT1142-1XN04-0NA2	60	200	800	1630	2570	1050	1825	56	25525
1DT1142-2EN04-0NA2	60	200	800	1630	2570	1050	1825	56	27257
1DT1142-2MN04-0NA2	60	200	800	1630	2570	1050	1825	56	30816

Dimensional drawings (continued)


Article No.	Dimensions												
	Ø D	E	PB	PA	L	B	BB	BC	BD	BE	C	AB	A
	mm	mm	mm	mm	mm	mm	mm	mm	mm	mm	mm	mm	mm

1DT1 (X ventilation), sleeve bearing

4-pole, 13.8 kV, 60 Hz

1DT1102-0VR04-0NA2	210	280	50	217	3245	2370	2280	1935	–	–	848	1670	1520
1DT1102-0XR04-0NA2	210	280	50	215	3245	2370	2280	1935	–	–	848	1670	1520
1DT1102-1BR04-0NA2	210	280	50	215	3245	2370	2280	1935	–	–	848	1670	1520
1DT1102-1ER04-0NA2	220	280	50	215	3245	2370	2280	1935	–	–	848	1670	1520
1DT1102-1JR04-0NA2	230	330	50	237	3447	2615	2525	2180	–	–	805	1670	1520
1DT1102-1PR04-0NA2	230	330	50	260	3447	2615	2525	2180	–	–	805	1670	1520

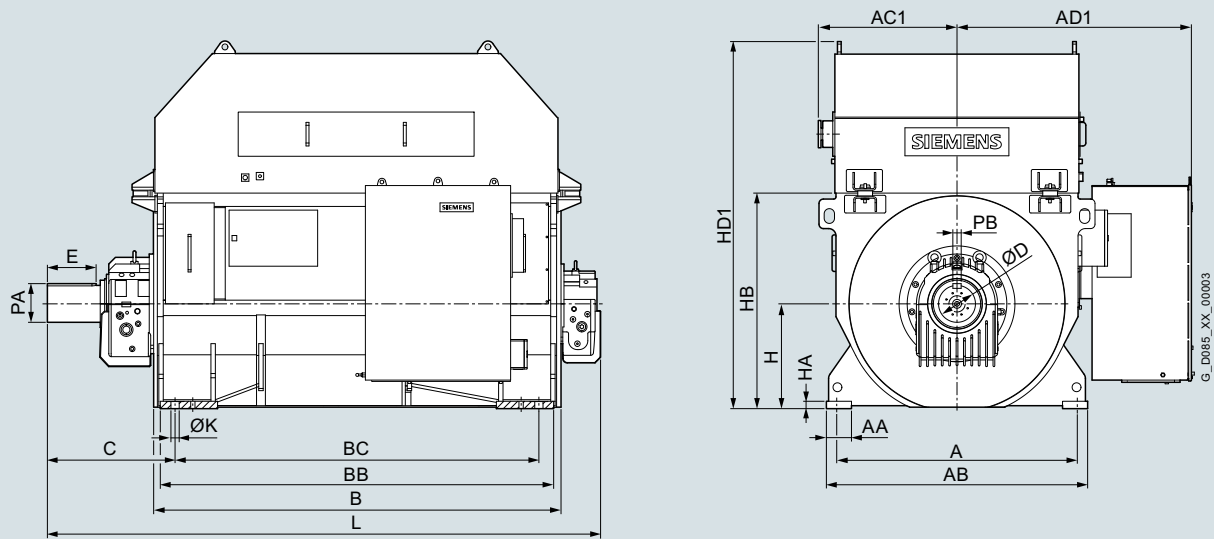
Article No. (repeated)	Dimensions								Weight
	HA	AA	H	HB	HD ₁	AC ₁	AD ₁	Ø K	
	mm	mm	mm	mm	mm	mm	mm	mm	kg

4-pole, 13.8 kV, 60 Hz

1DT1102-0VR04-0NA2	45	170	630	1300	2440	855	1840	48	11388
1DT1102-0XR04-0NA2	45	170	630	1300	2440	855	1840	48	11629
1DT1102-1BR04-0NA2	45	170	630	1300	2440	855	1840	48	12143
1DT1102-1ER04-0NA2	45	170	630	1300	2440	855	1840	48	12610
1DT1102-1JR04-0NA2	45	170	630	1300	2440	855	1840	48	13608
1DT1102-1PR04-0NA2	45	170	630	1300	2440	855	1840	48	14336

Technical data

Industrial/Marine applications

IC81W cooling method**Dimensional drawings** (continued)

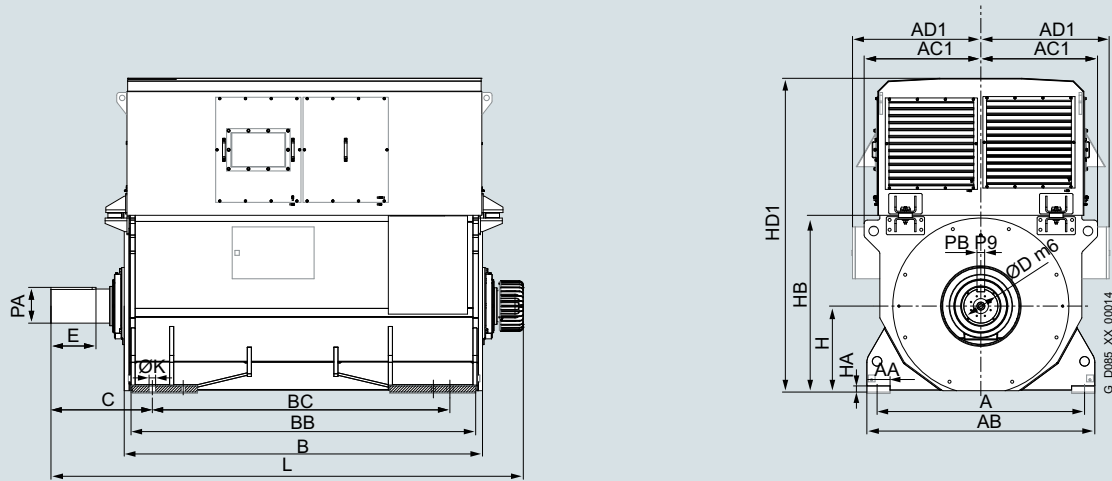
Article No.	Dimensions												
	Ø D	E	PB	PA	L	B	BB	BC	BD	BE	C	AB	A
	mm	mm	mm	mm	mm	mm	mm	mm	mm	mm	mm	mm	mm

1DT1 (X ventilation), sleeve bearing

4-pole, 13.8 kV, 60 Hz (continued)

1DT1122-1HR04-0NA2	240	330	56	252	3530	2460	2370	2175	-	-	925	1770	1630
1DT1122-1PR04-0NA2	240	330	56	252	3820	2750	2660	2465	-	-	925	1770	1630
1DT1122-1TR04-0NA2	250	330	56	262	3820	2750	2660	2465	-	-	925	1770	1630
1DT1122-1WR04-0NA2	260	380	63	272	4700	2750	2660	2465	-	-	860	1770	1630
1DT1122-2CR04-0NA2	270	380	63	282	4700	2750	2660	2465	-	-	860	1770	1630
1DT1142-1NR04-0NA2	300	380	70	314	3790	2586	2491	2211	-	-	1030	1970	1830
1DT1142-1TR04-0NA2	330	450	70	344	3960	2818	2723	2443	-	-	980	1970	1830
1DT1142-1XR04-0NA2	330	450	70	344	3960	2818	2723	2443	-	-	980	1970	1830
1DT1142-2ER04-0NA2	340	450	80	355	4658	2818	2723	2443	-	-	980	1970	1830

Article No. (repeated)	Dimensions								Weight
	HA	AA	H	HB	HD ₁	AC ₁	AD ₁	Ø K	
	mm	mm	mm	mm	mm	mm	mm	mm	kg
4-pole, 13.8 kV, 60 Hz									
1DT1122-1HR04-0NA2	50	170	710	1460	2490	940	1715	56	16057
1DT1122-1PR04-0NA2	50	170	710	1460	2490	940	1715	56	17437
1DT1122-1TR04-0NA2	50	170	710	1460	2490	940	1715	56	18296
1DT1122-1WR04-0NA2	50	170	710	1460	2490	940	1715	56	20649
1DT1122-2CR04-0NA2	50	170	710	1460	2490	940	1715	56	21673
1DT1142-1NR04-0NA2	60	200	800	1630	2570	1050	1825	56	22907
1DT1142-1TR04-0NA2	60	200	800	1630	2570	1050	1825	56	24572
1DT1142-1XR04-0NA2	60	200	800	1630	2570	1050	1825	56	25371
1DT1142-2ER04-0NA2	60	200	800	1630	2570	1050	1825	56	28632

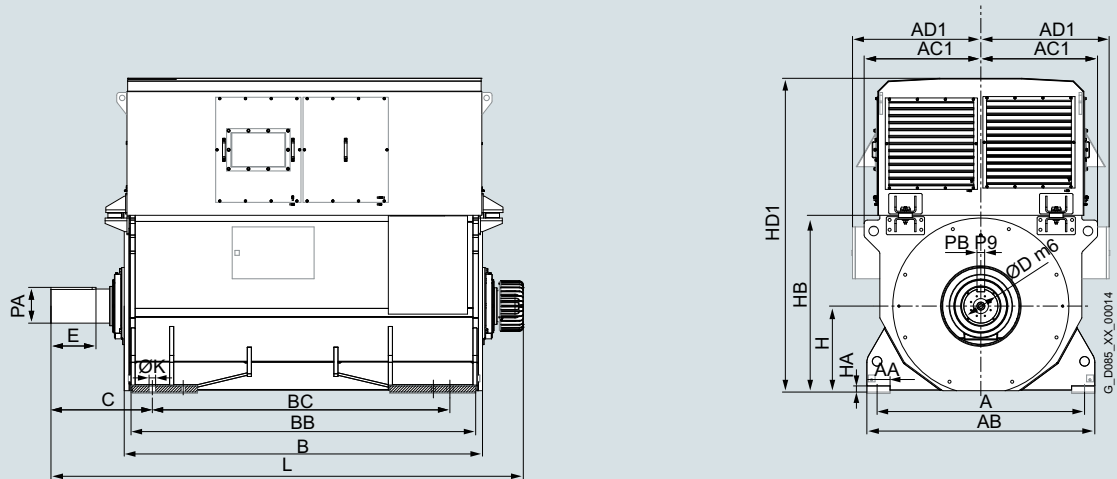
Dimensional drawings


Article No.	Dimensions												
	Ø D	E	PB	PA	L	B	BB	BC	BD	BE	C	AB	A
	mm	mm	mm	mm	mm	mm	mm	mm	mm	mm	mm	mm	mm
1DK1 (Z ventilation), anti-friction bearing													
4-pole, 400 V, 50 Hz													
1DK1082-0TA04-0FA1	180	240	45	190	2785	1815	1745	1450	–	–	660	1340	1200
6-pole, 400 V, 50 Hz													
1DK1082-0UA06-0NA1	180	240	45	190	2816	1815	1745	1450	–	–	691	1340	1200
1DK1082-1AA06-0NA1	190	280	45	210	3026	2015	1945	1650	–	–	691	1340	1200
1DK1082-1GA06-0NA1	190	280	50	221	3036	2015	1945	1650	–	–	691	1340	1200
8-pole, 400 V, 50 Hz													
1DK1082-0TA08-0NA1	180	240	45	190	2816	1815	1745	1450	–	–	691	1340	1200
1DK1082-1AA08-0NA1	190	280	45	210	2836	1815	1745	1450	–	–	691	1340	1200
1DK1082-1EA08-0NA1	190	280	45	210	3026	2015	1945	1650	–	–	691	1340	1200
1DK1102-0TA08-0FA1	210	280	50	227	3176	2370	2280	1935	–	–	682	1670	1520
1DK1102-1JA08-0FA1	210	280	50	227	3176	2370	2280	1935	–	–	682	1670	1520
Article No. (repeated)	Dimensions								Weight				
	HA	AA	H	HB	HD ₁	AC ₁	AD ₁	Ø K		kg			
	mm	mm	mm	mm	mm	mm	mm	mm					
4-pole, 400 V, 50 Hz													
1DK1082-0TA04-0FA1	45	150	560	1170	2127	720	720	48	7504				
6-pole, 400 V, 50 Hz													
1DK1082-0UA06-0NA1	45	150	560	1170	2127	720	720	48	7587				
1DK1082-1AA06-0NA1	45	150	560	1170	2127	720	720	48	8482				
1DK1082-1GA06-0NA1	45	150	560	1170	2127	720	720	48	9430				
8-pole, 400 V, 50 Hz													
1DK1082-0TA08-0NA1	45	150	560	1170	2127	720	720	48	7419				
1DK1082-1AA08-0NA1	45	150	560	1170	2127	720	720	48	8344				
1DK1082-1EA08-0NA1	45	150	560	1170	2127	720	720	48	9097				
1DK1102-0TA08-0FA1	45	170	630	1300	2300	855	950	48	10406				
1DK1102-1JA08-0FA1	45	170	630	1300	2300	855	950	48	12885				

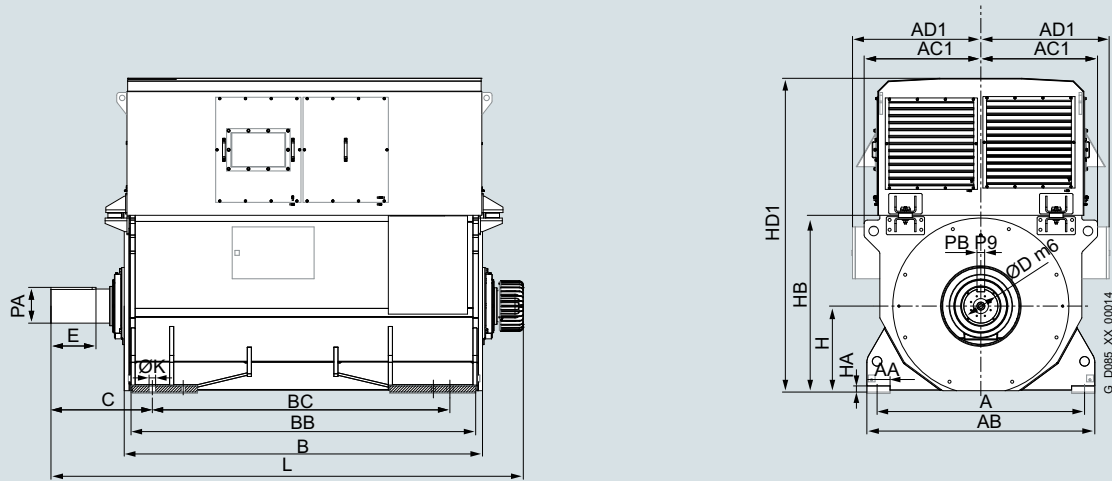
Technical data

Industrial/Marine applications

IC01 cooling method

Dimensional drawings (continued)

Article No.	Dimensions												
	Ø D	E	PB	PA	L	B	BB	BC	BD	BE	C	AB	A
	mm	mm	mm	mm	mm	mm	mm	mm	mm	mm	mm	mm	mm
1DK1 (Z ventilation), anti-friction bearing													
10-pole, 400 V, 50 Hz													
1DK1082-0QA10-0NA1	180	240	45	190	2816	1815	1745	1450	–	–	691	1340	1200
1DK1082-1CA10-0NA1	190	280	45	210	3026	2015	1945	1650	–	–	691	1340	1200
1DK1102-0YA10-0FA1	220	280	50	237	3176	2370	2280	1935	–	–	682	1670	1520
1DK1102-1EA10-0FA1	220	280	50	237	3176	2370	2280	1935	–	–	682	1670	1520
1DK1102-1MA10-0FA1	210	280	50	227	3176	2370	2280	1935	–	–	682	1670	1520
Article No. (repeated)	Dimensions									Weight			
	HA	AA	H	HB	HD ₁	AC ₁	AD ₁	Ø K	kg				
	mm	mm	mm	mm	mm	mm	mm	mm					
10-pole, 400 V, 50 Hz													
1DK1082-0QA10-0NA1	45	150	560	1170	2127	720	720	48	7056				
1DK1082-1CA10-0NA1	45	150	560	1170	2127	720	720	48	8785				
1DK1102-0YA10-0FA1	45	170	630	1300	2300	855	950	48	11003				
1DK1102-1EA10-0FA1	45	170	630	1300	2300	855	950	48	11849				
1DK1102-1MA10-0FA1	45	170	630	1300	2300	855	950	48	13057				

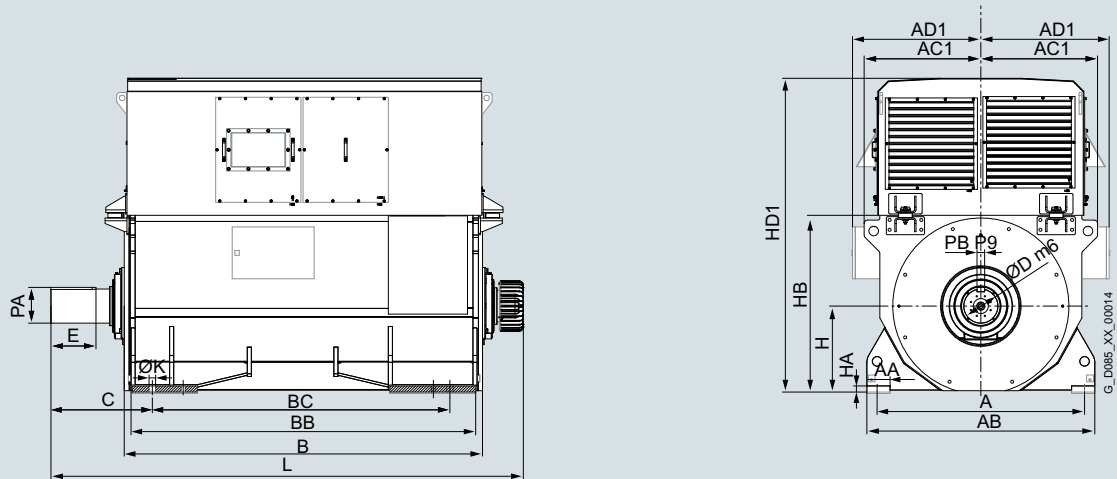
Dimensional drawings


Article No.	Dimensions												
	Ø D	E	PB	PA	L	B	BB	BC	BD	BE	C	AB	A
	mm	mm	mm	mm	mm	mm	mm	mm	mm	mm	mm	mm	mm
1DK1 (Z ventilation), anti-friction bearing													
4-pole, 450 V, 60 Hz													
1DK1082-ORB04-0FA1	180	240	45	190	2785	1815	1745	1450	–	–	660	1340	1200
6-pole, 450 V, 60 Hz													
1DK1082-0UB06-0NA1	190	280	45	200	2826	1815	1745	1450	–	–	691	1340	1200
1DK1082-1AB06-0NA1	190	280	45	210	3026	2015	1945	1650	–	–	691	1340	1200
8-pole, 450 V, 60 Hz													
1DK1082-0TB08-0NA1	190	280	45	200	2826	1815	1745	1450	–	–	691	1340	1200
1DK1082-1AB08-0NA1	190	280	45	200	2826	1815	1745	1450	–	–	691	1340	1200
1DK1082-1EB08-0NA1	190	280	45	210	3026	2015	1945	1650	–	–	691	1340	1200
1DK1102-0TB08-0FA1	210	280	50	227	3176	2370	2280	1935	–	–	682	1670	1520
1DK1102-0WB08-0FA1	210	280	50	227	3176	2370	2280	1935	–	–	682	1670	1520
Article No. (repeated)	Dimensions									Weight			
	HA	AA	H	HB	HD ₁	AC ₁	AD ₁	Ø K	kg				
	mm	mm	mm	mm	mm	mm	mm	mm					
4-pole, 450 V, 60 Hz													
1DK1082-ORB04-0FA1	45	150	560	1170	2127	720	720	48	7275				
6-pole, 450 V, 60 Hz													
1DK1082-0UB06-0NA1	45	150	560	1170	2127	720	720	48	7607				
1DK1082-1AB06-0NA1	45	150	560	1170	2127	720	720	48	8569				
8-pole, 450 V, 60 Hz													
1DK1082-0TB08-0NA1	45	150	560	1170	2127	720	720	48	7464				
1DK1082-1AB08-0NA1	45	150	560	1170	2127	720	720	48	8330				
1DK1082-1EB08-0NA1	45	150	560	1170	2127	720	720	48	9097				
1DK1102-0TB08-0FA1	45	170	630	1300	2300	855	950	48	10406				
1DK1102-0WB08-0FA1	45	170	630	1300	2300	855	950	48	10924				

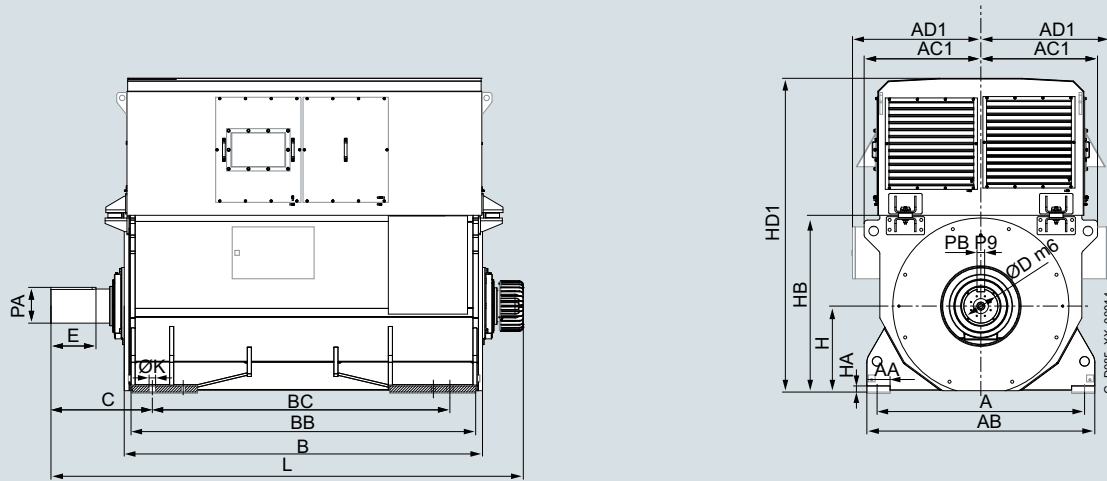
Technical data

Industrial/Marine applications

IC01 cooling method

Dimensional drawings (continued)

Article No.	Dimensions												
	Ø D	E	PB	PA	L	B	BB	BC	BD	BE	C	AB	A
	mm	mm	mm	mm	mm	mm	mm	mm	mm	mm	mm	mm	mm
1DK1 (Z ventilation), anti-friction bearing													
10-pole, 450 V, 60 Hz													
1DK1082-0QB10-0NA1	180	240	45	190	2816	1815	1745	1450	–	–	691	1340	1200
1DK1082-0UB10-0NA1	190	280	45	200	2826	1815	1745	1450	–	–	691	1340	1200
1DK1082-1CB10-0NA1	190	280	50	221	3036	2015	1945	1650	–	–	691	1340	1200
1DK1102-0SB10-0FA1	210	280	50	227	3176	2370	2280	1935	–	–	682	1670	1520
1DK1102-0YB10-0FA1	210	280	50	227	3176	2370	2280	1935	–	–	682	1670	1520
1DK1102-1EB10-0FA1	210	280	50	227	3176	2370	2280	1935	–	–	682	1670	1520
Article No. (repeated)	Dimensions									Weight			
	HA	AA	H	HB	HD ₁	AC ₁	AD ₁	Ø K	kg				
	mm	mm	mm	mm	mm	mm	mm	mm	mm	kg			
10-pole, 450 V, 60 Hz													
1DK1082-0QB10-0NA1	45	150	560	1170	2127	720	720	48	7034				
1DK1082-0UB10-0NA1	45	150	560	1170	2127	720	720	48	7611				
1DK1082-1CB10-0NA1	45	150	560	1170	2127	720	720	48	8745				
1DK1102-0SB10-0FA1	45	170	630	1300	2300	855	950	48	10063				
1DK1102-0YB10-0FA1	45	170	630	1300	2300	855	950	48	11003				
1DK1102-1EB10-0FA1	45	170	630	1300	2300	855	950	48	11880				

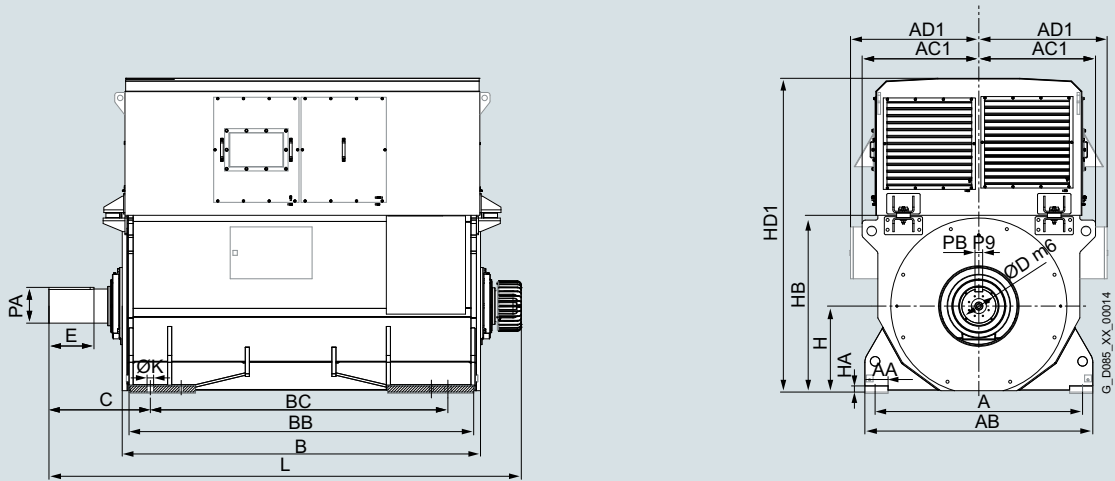
Dimensional drawings


Article No.	Dimensions												
	Ø D	E	PB	PA	L	B	BB	BC	BD	BE	C	AB	A
	mm	mm	mm	mm	mm	mm	mm	mm	mm	mm	mm	mm	mm
1DK1 (Z ventilation), anti-friction bearing													
4-pole, 690 V, 50 Hz													
1DK1082-0TC04-0FA1	180	240	45	190	2785	1815	1745	1450	–	–	660	1340	1200
1DK1082-0WC04-0FA1	190	280	45	200	2995	2015	1945	1650	–	–	660	1340	1200
1DK1082-1AC04-0FA1	190	280	45	210	3005	2015	1945	1650	–	–	660	1340	1200
1DK1082-1DC04-0FA1	190	280	45	210	3005	2015	1945	1650	–	–	660	1340	1200
6-pole, 690 V, 50 Hz													
1DK1080-0UC06-0NA1	190	280	45	200	2826	1815	1745	1450	–	–	691	1340	1200
1DK1082-1AC06-0NA1	190	280	45	210	3026	2015	1945	1650	–	–	691	1340	1200
1DK1082-1GC06-0NA1	190	280	50	221	3036	2015	1945	1650	–	–	691	1340	1200
1DK1102-0YC06-0FA1	210	280	50	227	3176	2370	2280	1935	–	–	682	1670	1520
1DK1102-1CC06-0FA1	220	280	50	237	3176	2370	2280	1935	–	–	682	1670	1520
1DK1102-1HC06-0FA1	210	280	50	227	3176	2370	2280	1935	–	–	682	1670	1520
1DK1102-1NC06-0FA1	220	280	50	237	3421	2615	2525	2180	–	–	682	1670	1520
Article No. (repeated)	Dimensions								Weight				
	HA	AA	H	HB	HD ₁	AC ₁	AD ₁	Ø K		kg			
	mm	mm	mm	mm	mm	mm	mm	mm					
4-pole, 690 V, 50 Hz													
1DK1082-0TC04-0FA1	45	150	560	1170	2127	720	720	48	7504				
1DK1082-0WC04-0FA1	45	150	560	1170	2127	720	720	48	8095				
1DK1082-1AC04-0FA1	45	150	560	1170	2127	720	720	48	8565				
1DK1082-1DC04-0FA1	45	150	560	1170	2127	720	720	48	8999				
6-pole, 690 V, 50 Hz													
1DK1080-0UC06-0NA1	45	150	560	1170	2127	720	720	48	7647				
1DK1082-1AC06-0NA1	45	150	560	1170	2127	720	720	48	8494				
1DK1082-1GC06-0NA1	45	150	560	1170	2127	720	720	48	9400				
1DK1102-0YC06-0FA1	45	170	630	1300	2300	855	950	48	11343				
1DK1102-1CC06-0FA1	45	170	630	1300	2300	855	950	48	11815				
1DK1102-1HC06-0FA1	45	170	630	1300	2300	855	950	48	12615				
1DK1102-1NC06-0FA1	45	170	630	1300	2300	855	950	48	13859				

Technical data

Industrial/Marine applications

IC01 cooling method

Dimensional drawings (continued)

Article No.	Dimensions												
	Ø D	E	PB	PA	L	B	BB	BC	BD	BE	C	AB	A
	mm	mm	mm	mm	mm	mm	mm	mm	mm	mm	mm	mm	mm

1DK1 (Z ventilation), anti-friction bearing

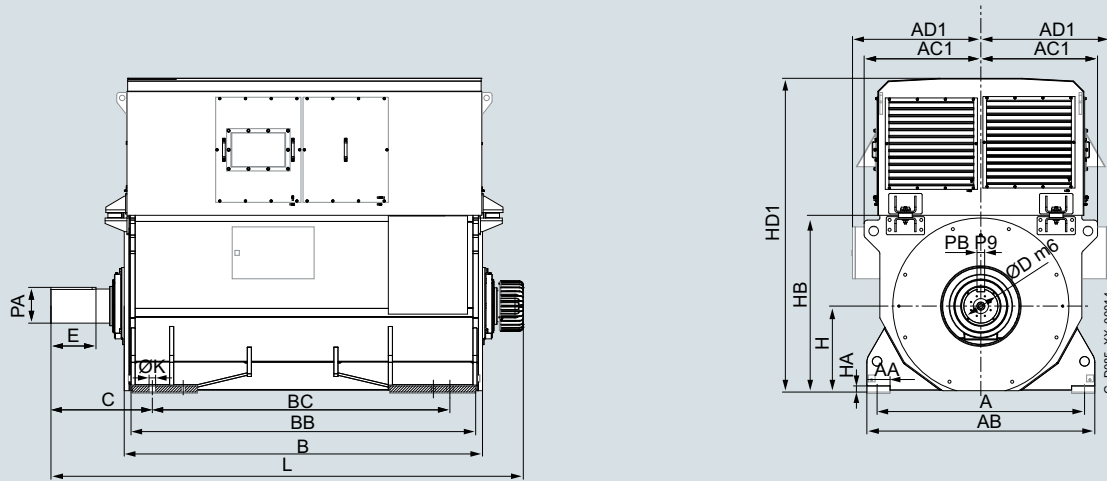
8-pole, 690 V, 50 Hz

1DK1082-0TC08-0NA1	180	240	45	190	2816	1815	1745	1450	–	–	691	1340	1200
1DK1082-1AC08-0NA1	190	280	45	210	2836	1815	1745	1450	–	–	691	1340	1200
1DK1082-1EC08-0NA1	190	280	50	221	3036	2015	1945	1650	–	–	691	1340	1200
1DK1102-0WC08-0FA1	210	280	50	227	3176	2370	2280	1935	–	–	682	1670	1520
1DK1102-1DC08-0FA1	210	280	50	227	3176	2370	2280	1935	–	–	682	1670	1520
1DK1102-1JC08-0FA1	210	280	50	227	3176	2370	2280	1935	–	–	682	1670	1520
1DK1102-1PC08-0FA1	220	280	50	237	3421	2615	2525	2180	–	–	682	1670	1520

Article No. (repeated)	Dimensions									Weight
	HA	AA	H	HB	HD ₁	AC ₁	AD ₁	Ø K	kg	
	mm	mm	mm	mm	mm	mm	mm	mm		

8-pole, 690 V, 50 Hz

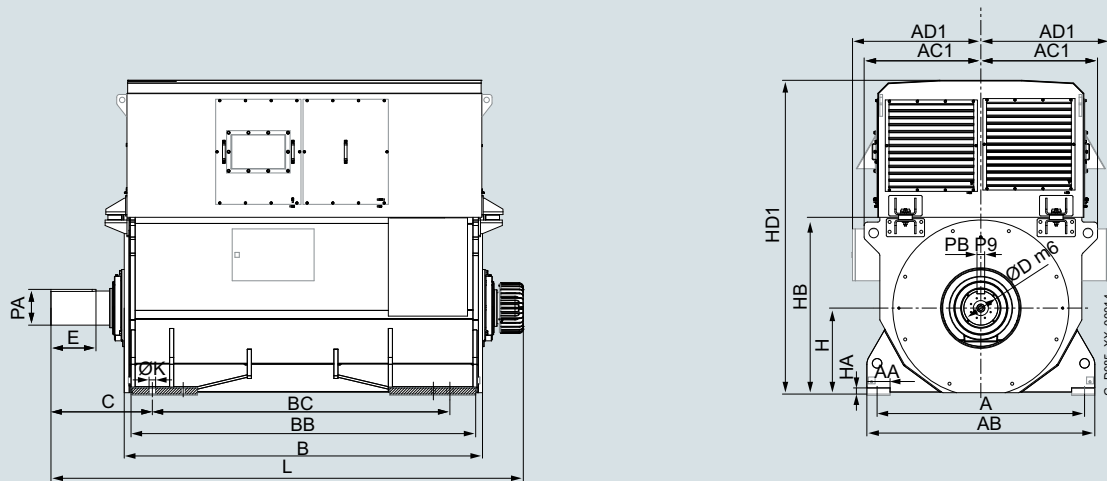
1DK1082-0TC08-0NA1	45	150	560	1170	2127	720	720	48	7458
1DK1082-1AC08-0NA1	45	150	560	1170	2127	720	720	48	8327
1DK1082-1EC08-0NA1	45	150	560	1170	2127	720	720	48	9027
1DK1102-0WC08-0FA1	45	170	630	1300	2300	855	950	48	10903
1DK1102-1DC08-0FA1	45	170	630	1300	2300	855	950	48	11938
1DK1102-1JC08-0FA1	45	170	630	1300	2300	855	950	48	12914
1DK1102-1PC08-0FA1	45	170	630	1300	2300	855	950	48	14047

Dimensional drawings (continued)


Article No.	Dimensions												
	Ø D	E	PB	PA	L	B	BB	BC	BD	BE	C	AB	A
	mm	mm	mm	mm	mm	mm	mm	mm	mm	mm	mm	mm	mm
1DK1 (Z ventilation), anti-friction bearing													
10-pole, 690 V, 50 Hz													
1DK1082-0QC10-0NA1	180	240	45	190	2816	1815	1745	1450	–	–	691	1340	1200
1DK1082-0WC10-0NA1	190	280	45	200	3016	2015	1945	1650	–	–	691	1340	1200
1DK1082-1CC10-0NA1	190	280	45	210	3026	2015	1945	1650	–	–	691	1340	1200
1DK1102-0VC10-0FA1	210	280	50	227	3176	2370	2280	1935	–	–	682	1670	1520
1DK1102-0YC10-0FA1	220	280	50	237	3176	2370	2280	1935	–	–	682	1670	1520
1DK1102-1EC10-0FA1	210	280	50	227	3176	2370	2280	1935	–	–	682	1670	1520
1DK1102-1RC10-0FA1	220	280	50	237	3421	2615	2525	2180	–	–	682	1670	1520
Article No. (repeated)	Dimensions									Weight			
	HA	AA	H	HB	HD ₁	AC ₁	AD ₁	Ø K	kg				
	mm	mm	mm	mm	mm	mm	mm	mm	mm				
10-pole, 690 V, 50 Hz													
1DK1082-0QC10-0NA1	45	150	560	1170	2127	720	720	48	7034				
1DK1082-0WC10-0NA1	45	150	560	1170	2127	720	720	48	8058				
1DK1082-1CC10-0NA1	45	150	560	1170	2127	720	720	48	8780				
1DK1102-0VC10-0FA1	45	170	630	1300	2300	855	950	48	10541				
1DK1102-0YC10-0FA1	45	170	630	1300	2300	855	950	48	11001				
1DK1102-1EC10-0FA1	45	170	630	1300	2300	855	950	48	11853				
1DK1102-1RC10-0FA1	45	170	630	1300	2300	855	950	48	14008				

Technical data

Industrial/Marine applications

IC01 cooling method**Dimensional drawings**

Article No.	Dimensions												
	Ø D mm	E mm	PB mm	PA mm	L mm	B mm	BB mm	BC mm	BD mm	BE mm	C mm	AB mm	A mm

1DK1 (Z ventilation), anti-friction bearing

4-pole, 690 V, 60 Hz

1DK1082-ORD04-0FA1	180	240	45	190	2785	1815	1745	1450	-	-	660	1340	1200
1DK1082-OTD04-0FA1	180	240	45	190	2785	1815	1745	1450	-	-	660	1340	1200
1DK1082-OWD04-0FA1	190	280	45	200	2995	2015	1945	1650	-	-	660	1340	1200
1DK1082-1AD04-0FA1	190	280	45	210	3005	2015	1945	1650	-	-	660	1340	1200

6-pole, 690 V, 60 Hz

1DK1080-0UD06-0NA1	190	280	45	200	2826	1815	1745	1450	-	-	691	1340	1200
1DK1082-1AD06-0NA1	190	280	45	210	3026	2015	1945	1650	-	-	691	1340	1200
1DK1082-1GD06-0NA1	190	280	50	221	3036	2015	1945	1650	-	-	691	1340	1200
1DK1102-0VD06-0FA1	210	280	50	227	3176	2370	2280	1935	-	-	682	1670	1520
1DK1102-0YD06-0FA1	210	280	50	227	3176	2370	2280	1935	-	-	682	1670	1520
1DK1102-1CD06-0FA1	220	280	50	237	3176	2370	2280	1935	-	-	682	1670	1520
1DK1102-1HD06-0FA1	210	280	50	227	3176	2370	2280	1935	-	-	682	1670	1520

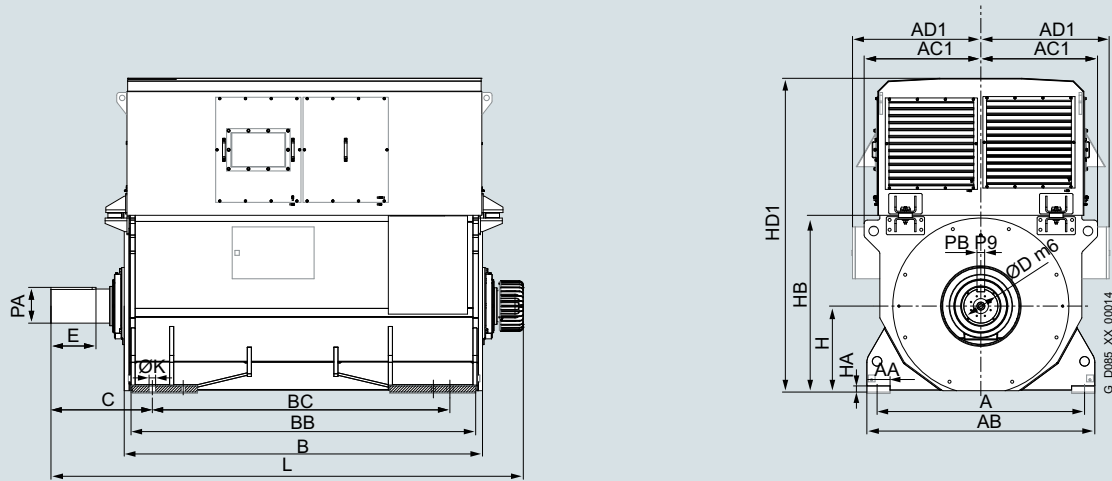
Article No. (repeated)	Dimensions								Weight kg
	HA mm	AA mm	H mm	HB mm	HD ₁ mm	AC ₁ mm	AD ₁ mm	Ø K mm	

4-pole, 690 V, 60 Hz

1DK1082-ORD04-0FA1	45	150	560	1170	2127	720	720	48	7221
1DK1082-OTD04-0FA1	45	150	560	1170	2127	720	720	48	7520
1DK1082-OWD04-0FA1	45	150	560	1170	2127	720	720	48	8156
1DK1082-1AD04-0FA1	45	150	560	1170	2127	720	720	48	8602

6-pole, 690 V, 60 Hz

1DK1080-0UD06-0NA1	45	150	560	1170	2127	720	720	48	7607
1DK1082-1AD06-0NA1	45	150	560	1170	2127	720	720	48	8517
1DK1082-1GD06-0NA1	45	150	560	1170	2127	720	720	48	9276
1DK1102-0VD06-0FA1	45	170	630	1300	2300	855	950	48	10860
1DK1102-0YD06-0FA1	45	170	630	1300	2300	855	950	48	11354
1DK1102-1CD06-0FA1	45	170	630	1300	2300	855	950	48	11804
1DK1102-1HD06-0FA1	45	170	630	1300	2300	855	950	48	12679

Dimensional drawings (continued)


Article No.	Dimensions												
	Ø D	E	PB	PA	L	B	BB	BC	BD	BE	C	AB	A
	mm	mm	mm	mm	mm	mm	mm	mm	mm	mm	mm	mm	mm

1DK1 (Z ventilation), anti-friction bearing

8-pole, 690 V, 60 Hz

1DK1082-OTD08-0NA1	190	280	45	200	2826	1815	1745	1450	–	–	691	1340	1200
1DK1082-1AD08-0NA1	190	280	45	210	2836	1815	1745	1450	–	–	691	1340	1200
1DK1082-1ED08-0NA1	190	280	50	221	3036	2015	1945	1650	–	–	691	1340	1200
1DK1102-OWD08-0FA1	210	280	50	227	3176	2370	2280	1935	–	–	682	1670	1520
1DK1102-1AD08-0FA1	210	280	50	227	3176	2370	2280	1935	–	–	682	1670	1520
1DK1102-1DD08-0FA1	210	280	50	227	3176	2370	2280	1935	–	–	682	1670	1520
1DK1102-1PD08-0FA1	220	280	50	237	3421	2615	2525	2180	–	–	682	1670	1520

Article No. (repeated)	Dimensions								Weight
	HA	AA	H	HB	HD ₁	AC ₁	AD ₁	Ø K	
	mm	mm	mm	mm	mm	mm	mm	mm	kg

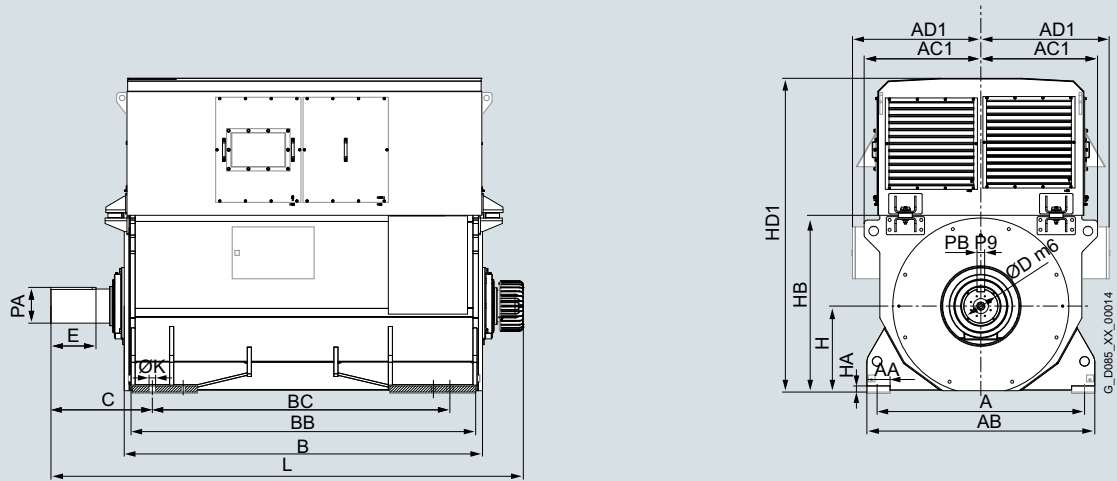
8-pole, 690 V, 60 Hz

1DK1082-OTD08-0NA1	45	150	560	1170	2127	720	720	48	7446
1DK1082-1AD08-0NA1	45	150	560	1170	2127	720	720	48	8322
1DK1082-1ED08-0NA1	45	150	560	1170	2127	720	720	48	9053
1DK1102-OWD08-0FA1	45	170	630	1300	2300	855	950	48	11152
1DK1102-1AD08-0FA1	45	170	630	1300	2300	855	950	48	11706
1DK1102-1DD08-0FA1	45	170	630	1300	2300	855	950	48	12375
1DK1102-1PD08-0FA1	45	170	630	1300	2300	855	950	48	14071

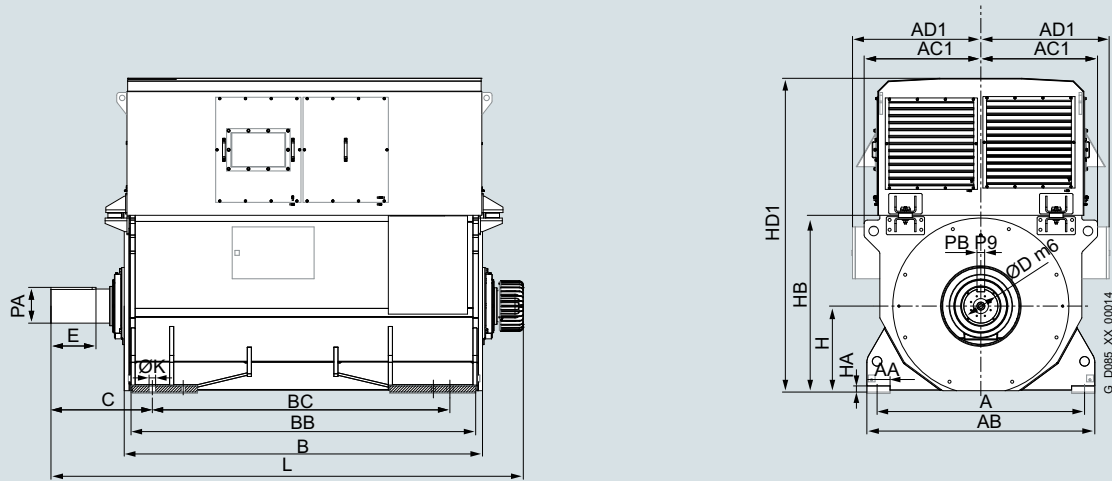
Technical data

Industrial/Marine applications

IC01 cooling method

Dimensional drawings (continued)

Article No.	Dimensions												
	∅ D mm	E mm	PB mm	PA mm	L mm	B mm	BB mm	BC mm	BD mm	BE mm	C mm	AB mm	A mm
1DK1 (Z ventilation), anti-friction bearing													
10-pole, 690 V, 60 Hz													
1DK1082-0QD10-0NA1	180	240	45	190	2816	1815	1745	1450	–	–	691	1340	1200
1DK1082-0UD10-0NA1	190	280	45	200	2826	1815	1745	1450	–	–	691	1340	1200
1DK1082-0WD10-0NA1	190	280	45	200	3016	2015	1945	1650	–	–	691	1340	1200
1DK1082-1CD10-0NA1	190	280	50	221	3036	2015	1945	1650	–	–	691	1340	1200
1DK1102-0SD10-0FA1	210	280	50	227	3176	2370	2280	1935	–	–	682	1670	1520
1DK1102-0VD10-0FA1	210	280	50	227	3176	2370	2280	1935	–	–	682	1670	1520
1DK1102-0YD10-0FA1	210	280	50	227	3176	2370	2280	1935	–	–	682	1670	1520
1DK1102-1ED10-0FA1	210	280	50	227	3176	2370	2280	1935	–	–	682	1670	1520
1DK1102-1MD10-0FA1	220	280	50	237	3176	2370	2280	1935	–	–	682	1670	1520
Article No. (repeated)	Dimensions									Weight kg			
	HA mm	AA mm	H mm	HB mm	HD ₁ mm	AC ₁ mm	AD ₁ mm	∅ K mm					
10-pole, 690 V, 60 Hz													
1DK1082-0QD10-0NA1	45	150	560	1170	2127	720	720	48	7056				
1DK1082-0UD10-0NA1	45	150	560	1170	2127	720	720	48	7576				
1DK1082-0WD10-0NA1	45	150	560	1170	2127	720	720	48	8087				
1DK1082-1CD10-0NA1	45	150	560	1170	2127	720	720	48	8751				
1DK1102-0SD10-0FA1	45	170	630	1300	2300	855	950	48	10036				
1DK1102-0VD10-0FA1	45	170	630	1300	2300	855	950	48	10580				
1DK1102-0YD10-0FA1	45	170	630	1300	2300	855	950	48	11006				
1DK1102-1ED10-0FA1	45	170	630	1300	2300	855	950	48	11883				
1DK1102-1MD10-0FA1	45	170	630	1300	2300	855	950	48	12960				

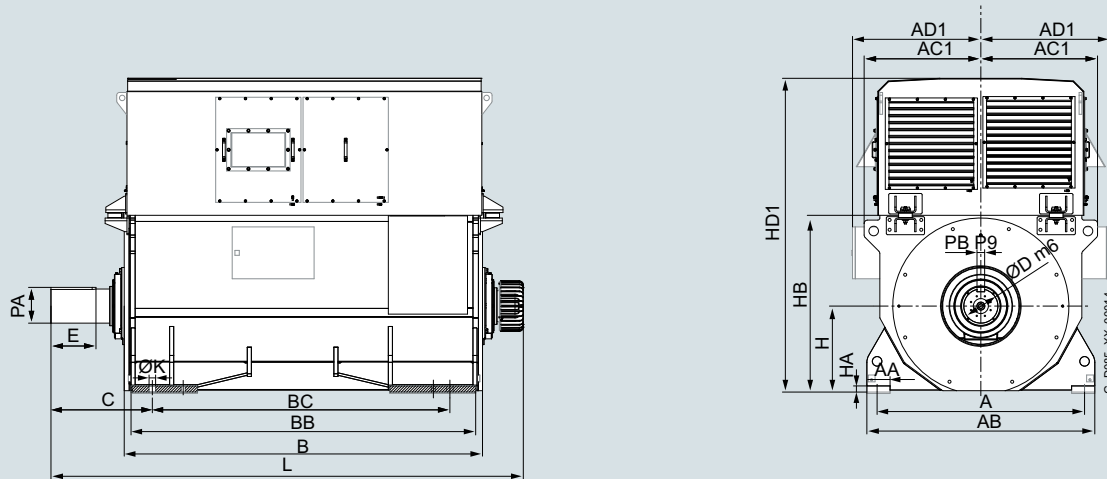
Dimensional drawings


Article No.	Dimensions												
	∅ D mm	E mm	PB mm	PA mm	L mm	B mm	BB mm	BC mm	BD mm	BE mm	C mm	AB mm	A mm
1DK1 (Z ventilation), anti-friction bearing													
4-pole, 3.3 kV, 50 Hz													
1DK1082-0TE04-0FA1	180	240	45	190	2785	1815	1745	1450	–	–	660	1340	1200
1DK1082-0WE04-0FA1	180	240	45	190	2985	2015	1945	1650	–	–	660	1340	1200
1DK1082-1AE04-0FA1	190	280	45	200	2995	2015	1945	1650	–	–	660	1340	1200
1DK1082-1DE04-0FA1	190	280	45	210	3005	2015	1945	1650	–	–	660	1340	1200
6-pole, 3.3 kV, 50 Hz													
1DK1082-0UE06-0NA1	180	240	45	190	2816	1815	1745	1450	–	–	691	1340	1200
1DK1082-1AE06-0NA1	190	280	45	200	2826	1815	1745	1450	–	–	691	1340	1200
1DK1082-1GE06-0NA1	190	280	45	210	3026	2015	1945	1650	–	–	691	1340	1200
1DK1102-0VE06-0FA1	210	280	50	227	3176	2370	2280	1935	–	–	682	1670	1520
1DK1102-0YE06-0FA1	210	280	50	227	3176	2370	2280	1935	–	–	682	1670	1520
1DK1102-1CE06-0FA1	210	280	50	227	3176	2370	2280	1935	–	–	682	1670	1520
1DK1102-1HE06-0FA1	210	280	50	227	3176	2370	2280	1935	–	–	682	1670	1520
1DK1102-1NE06-0FA1	210	280	50	227	3421	2615	2525	2180	–	–	682	1670	1520
Article No. (repeated)	Dimensions								Weight kg				
	HA mm	AA mm	H mm	HB mm	HD ₁ mm	AC ₁ mm	AD ₁ mm	∅ K mm					
4-pole, 3.3 kV, 50 Hz													
1DK1082-0TE04-0FA1	45	150	560	1170	2127	720	720	48	7387				
1DK1082-0WE04-0FA1	45	150	560	1170	2127	720	720	48	7982				
1DK1082-1AE04-0FA1	45	150	560	1170	2127	720	720	48	8425				
1DK1082-1DE04-0FA1	45	150	560	1170	2127	720	720	48	8845				
6-pole, 3.3 kV, 50 Hz													
1DK1082-0UE06-0NA1	45	150	560	1170	2127	720	720	48	7466				
1DK1082-1AE06-0NA1	45	150	560	1170	2127	720	720	48	8130				
1DK1082-1GE06-0NA1	45	150	560	1170	2127	720	720	48	9202				
1DK1102-0VE06-0FA1	45	170	630	1300	2300	855	950	48	10725				
1DK1102-0YE06-0FA1	45	170	630	1300	2300	855	950	48	11194				
1DK1102-1CE06-0FA1	45	170	630	1300	2300	855	950	48	11690				
1DK1102-1HE06-0FA1	45	170	630	1300	2300	855	950	48	12508				
1DK1102-1NE06-0FA1	45	170	630	1300	2300	855	950	48	13702				

Technical data

Industrial/Marine applications

IC01 cooling method

Dimensional drawings (continued)

Article No.	Dimensions												
	Ø D	E	PB	PA	L	B	BB	BC	BD	BE	C	AB	A
	mm	mm	mm	mm	mm	mm	mm	mm	mm	mm	mm	mm	mm

1DK1 (Z ventilation), anti-friction bearing

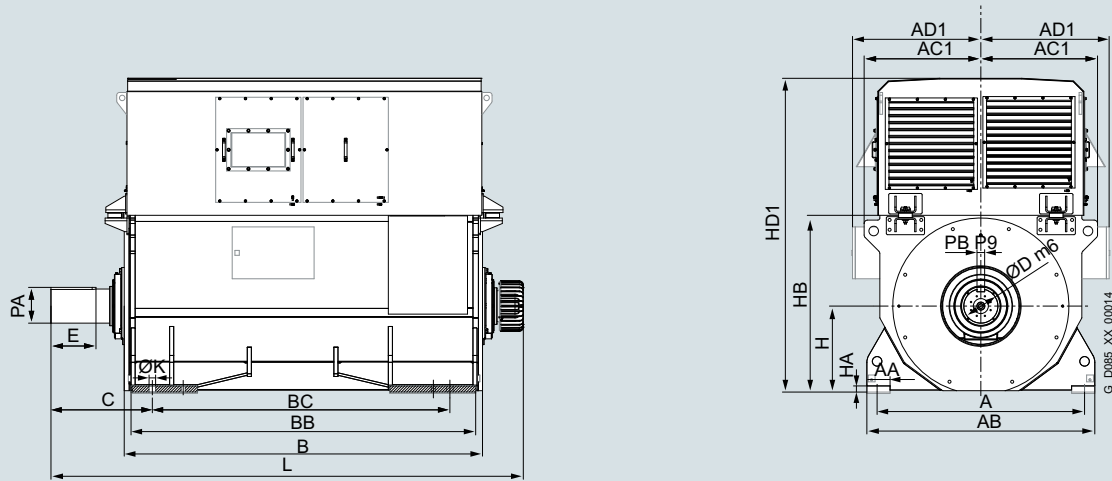
8-pole, 3.3 kV, 50 Hz

1DK1082-0TE08-0NA1	180	240	45	190	2816	1815	1745	1450	–	–	691	1340	1200
1DK1082-1AE08-0NA1	190	280	45	200	2826	1815	1745	1450	–	–	691	1340	1200
1DK1082-1EE08-0NA1	190	280	45	210	3026	2015	1945	1650	–	–	691	1340	1200
1DK1102-0TE08-0FA1	200	280	45	215	3176	2370	2280	1935	–	–	682	1670	1520
1DK1102-0WE08-0FA1	210	280	50	227	3176	2370	2280	1935	–	–	682	1670	1520
1DK1102-1AE08-0FA1	210	280	50	227	3176	2370	2280	1935	–	–	682	1670	1520
1DK1102-1DE08-0FA1	220	280	50	237	3176	2370	2280	1935	–	–	682	1670	1520
1DK1102-1JE08-0FA1	210	280	50	227	3176	2370	2280	1935	–	–	682	1670	1520
1DK1102-1PE08-0FA1	210	280	50	227	3421	2615	2525	2180	–	–	682	1670	1520

Article No. (repeated)	Dimensions								Weight
	HA	AA	H	HB	HD ₁	AC ₁	AD ₁	Ø K	
	mm	mm	mm	mm	mm	mm	mm	mm	kg

8-pole, 3.3 kV, 50 Hz

1DK1082-0TE08-0NA1	45	150	560	1170	2127	720	720	48	7351
1DK1082-1AE08-0NA1	45	150	560	1170	2127	720	720	48	8223
1DK1082-1EE08-0NA1	45	150	560	1170	2127	720	720	48	8915
1DK1102-0TE08-0FA1	45	170	630	1300	2300	855	950	48	10281
1DK1102-0WE08-0FA1	45	170	630	1300	2300	855	950	48	10779
1DK1102-1AE08-0FA1	45	170	630	1300	2300	855	950	48	11323
1DK1102-1DE08-0FA1	45	170	630	1300	2300	855	950	48	11835
1DK1102-1JE08-0FA1	45	170	630	1300	2300	855	950	48	12701
1DK1102-1PE08-0FA1	45	170	630	1300	2300	855	950	48	13884

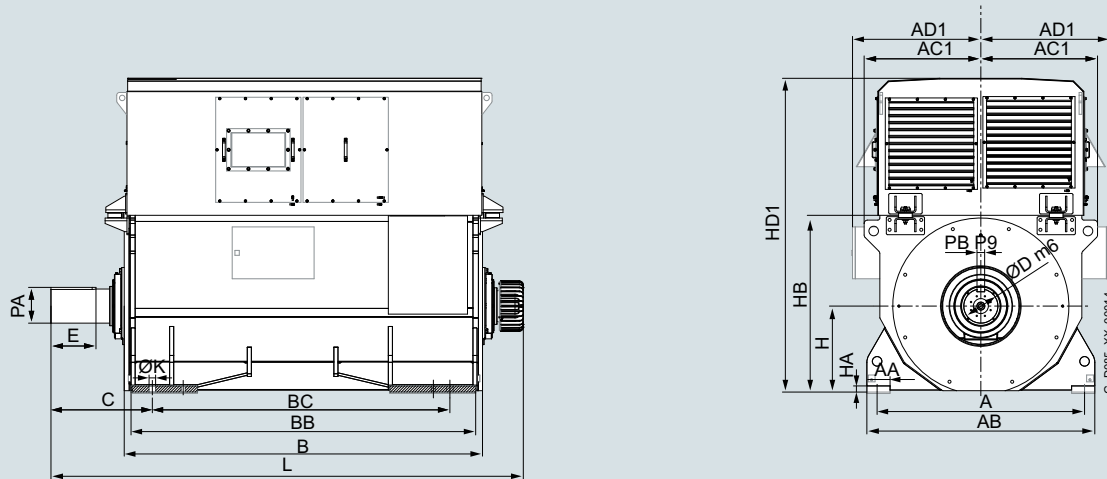
Dimensional drawings (continued)


Article No.	Dimensions												
	Ø D	E	PB	PA	L	B	BB	BC	BD	BE	C	AB	A
	mm	mm	mm	mm	mm	mm	mm	mm	mm	mm	mm	mm	mm
1DK1 (Z ventilation), anti-friction bearing													
10-pole, 3.3 kV, 50 Hz													
1DK1102-0SE10-0FA1	200	280	45	215	3176	2370	2280	1935	–	–	682	1670	1520
1DK1102-0VE10-0FA1	210	280	50	227	3176	2370	2280	1935	–	–	682	1670	1520
1DK1102-0YE10-0FA1	210	280	50	227	3176	2370	2280	1935	–	–	682	1670	1520
1DK1102-1EE10-0FA1	210	280	50	227	3176	2370	2280	1935	–	–	682	1670	1520
1DK1102-1ME10-0FA1	210	280	50	227	3176	2370	2280	1935	–	–	682	1670	1520
1DK1102-1RE10-0FA1	220	280	50	237	3421	2615	2525	2180	–	–	682	1670	1520
Article No. (repeated)	Dimensions									Weight			
	HA	AA	H	HB	HD ₁	AC ₁	AD ₁	Ø K	kg				
	mm	mm	mm	mm	mm	mm	mm	mm					
10-pole, 3.3 kV, 50 Hz													
1DK1102-0SE10-0FA1	45	170	630	1300	2300	855	950	48	9886				
1DK1102-0VE10-0FA1	45	170	630	1300	2300	855	950	48	10395				
1DK1102-0YE10-0FA1	45	170	630	1300	2300	855	950	48	10884				
1DK1102-1EE10-0FA1	45	170	630	1300	2300	855	950	48	11700				
1DK1102-1ME10-0FA1	45	170	630	1300	2300	855	950	48	12768				
1DK1102-1RE10-0FA1	45	170	630	1300	2300	855	950	48	13846				

Technical data

Industrial/Marine applications

IC01 cooling method

Dimensional drawings

Article No.	Dimensions												
	Ø D	E	PB	PA	L	B	BB	BC	BD	BE	C	AB	A
	mm	mm	mm	mm	mm	mm	mm	mm	mm	mm	mm	mm	mm

1DK1 (Z ventilation), anti-friction bearing

4-pole, 4.16 kV, 60 Hz

1DK1082-ORF04-0FA1	180	240	45	190	2785	1815	1745	1450	-	-	660	1340	1200
1DK1082-OTF04-0FA1	180	240	45	190	2785	1815	1745	1450	-	-	660	1340	1200
1DK1082-OWF04-0FA1	180	240	45	190	2985	2015	1945	1650	-	-	660	1340	1200
1DK1082-1AF04-0FA1	190	280	45	200	2995	2015	1945	1650	-	-	660	1340	1200

6-pole, 4.16 kV, 60 Hz

1DK1082-0UF06-0NA1	180	240	45	190	2816	1815	1745	1450	-	-	691	1340	1200
1DK1082-1AF06-0NA1	190	280	45	200	3016	2015	1945	1650	-	-	691	1340	1200
1DK1082-1GF06-0NA1	190	280	45	210	3026	2015	1945	1650	-	-	691	1340	1200
1DK1102-0VF06-0FA1	210	280	50	227	3176	2370	2280	1935	-	-	682	1670	1520
1DK1102-0YF06-0FA1	210	280	50	227	3176	2370	2280	1935	-	-	682	1670	1520
1DK1102-1CF06-0FA1	220	280	50	237	3176	2370	2280	1935	-	-	682	1670	1520
1DK1102-1HF06-0FA1	220	280	50	237	3176	2370	2280	1935	-	-	682	1670	1520
1DK1102-1NF06-0FA1	210	280	50	227	3421	2615	2525	2180	-	-	682	1670	1520

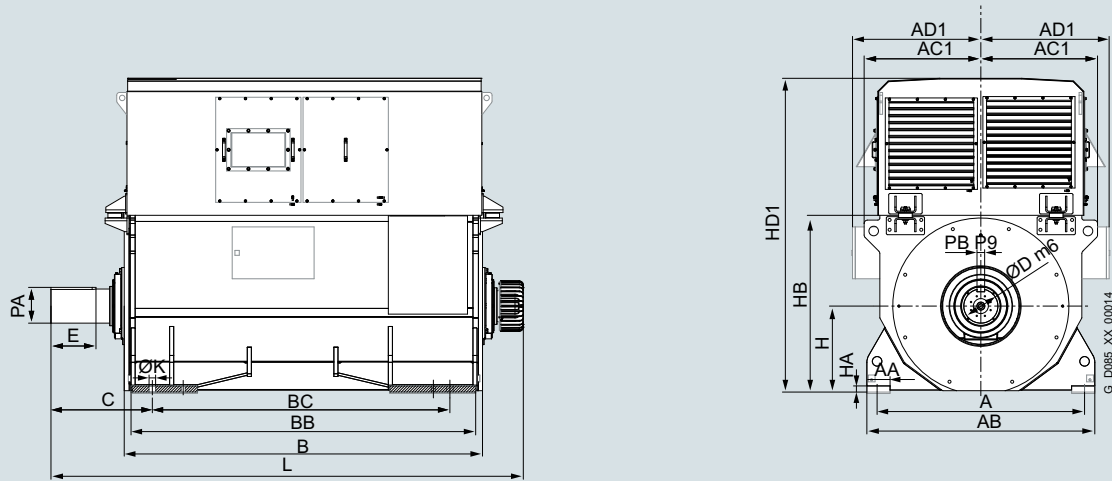
Article No. (repeated)	Dimensions								Weight
	HA	AA	H	HB	HD ₁	AC ₁	AD ₁	Ø K	
	mm	mm	mm	mm	mm	mm	mm	mm	kg

4-pole, 4.16 kV, 60 Hz

1DK1082-ORF04-0FA1	45	150	560	1170	2127	720	720	48	7084
1DK1082-OTF04-0FA1	45	150	560	1170	2127	720	720	48	7360
1DK1082-OWF04-0FA1	45	150	560	1170	2127	720	720	48	7969
1DK1082-1AF04-0FA1	45	150	560	1170	2127	720	720	48	8409

6-pole, 4.16 kV, 60 Hz

1DK1082-0UF06-0NA1	45	150	560	1170	2127	720	720	48	7462
1DK1082-1AF06-0NA1	45	150	560	1170	2127	720	720	48	8357
1DK1082-1GF06-0NA1	45	150	560	1170	2127	720	720	48	9149
1DK1102-0VF06-0FA1	45	170	630	1300	2300	855	950	48	10726
1DK1102-0YF06-0FA1	45	170	630	1300	2300	855	950	48	11164
1DK1102-1CF06-0FA1	45	170	630	1300	2300	855	950	48	11723
1DK1102-1HF06-0FA1	45	170	630	1300	2300	855	950	48	12482
1DK1102-1NF06-0FA1	45	170	630	1300	2300	855	950	48	13731

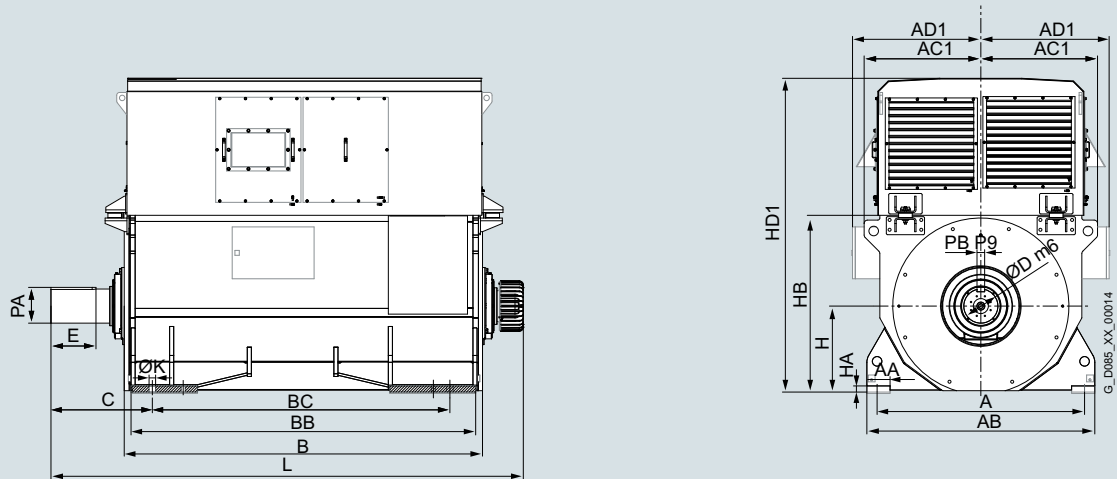
Dimensional drawings (continued)


Article No.	Dimensions												
	Ø D	E	PB	PA	L	B	BB	BC	BD	BE	C	AB	A
	mm	mm	mm	mm	mm	mm	mm	mm	mm	mm	mm	mm	mm
1DK1 (Z ventilation), anti-friction bearing													
8-pole, 4.16 kV, 60 Hz													
1DK1082-OTF08-0NA1	180	240	45	190	2816	1815	1745	1450	–	–	691	1340	1200
1DK1082-1AF08-0NA1	190	280	45	210	3026	2015	1945	1650	–	–	691	1340	1200
1DK1082-1EF08-0NA1	190	280	45	210	3026	2015	1945	1650	–	–	691	1340	1200
1DK1102-OTF08-0FA1	210	280	50	227	3176	2370	2280	1935	–	–	682	1670	1520
1DK1102-0WF08-0FA1	210	280	50	227	3176	2370	2280	1935	–	–	682	1670	1520
1DK1102-1AF08-0FA1	220	280	50	237	3176	2370	2280	1935	–	–	682	1670	1520
1DK1102-1DF08-0FA1	210	280	50	227	3176	2370	2280	1935	–	–	682	1670	1520
1DK1102-1JF08-0FA1	210	280	50	227	3176	2370	2280	1935	–	–	682	1670	1520
1DK1102-1PF08-0FA1	220	280	50	237	3421	2615	2525	2180	–	–	682	1670	1520
Article No. (repeated)	Dimensions									Weight			
	HA	AA	H	HB	HD ₁	AC ₁	AD ₁	Ø K	kg				
	mm	mm	mm	mm	mm	mm	mm	mm					
8-pole, 4.16 kV, 60 Hz													
1DK1082-OTF08-0NA1	45	150	560	1170	2127	720	720	48	7307				
1DK1082-1AF08-0NA1	45	150	560	1170	2127	720	720	48	8346				
1DK1082-1EF08-0NA1	45	150	560	1170	2127	720	720	48	8910				
1DK1102-OTF08-0FA1	45	170	630	1300	2300	855	950	48	10274				
1DK1102-0WF08-0FA1	45	170	630	1300	2300	855	950	48	10792				
1DK1102-1AF08-0FA1	45	170	630	1300	2300	855	950	48	11336				
1DK1102-1DF08-0FA1	45	170	630	1300	2300	855	950	48	11804				
1DK1102-1JF08-0FA1	45	170	630	1300	2300	855	950	48	12684				
1DK1102-1PF08-0FA1	45	170	630	1300	2300	855	950	48	13869				

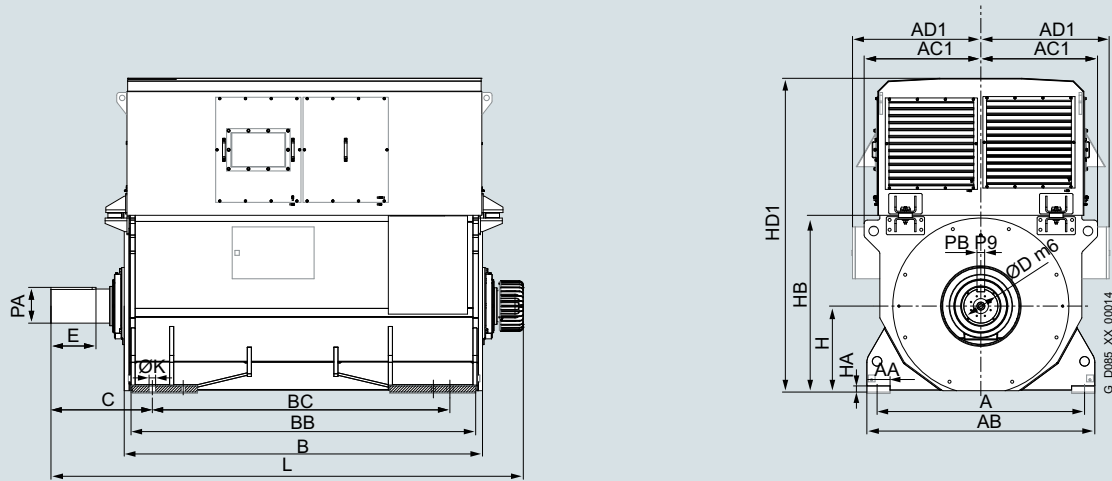
Technical data

Industrial/Marine applications

IC01 cooling method

Dimensional drawings (continued)

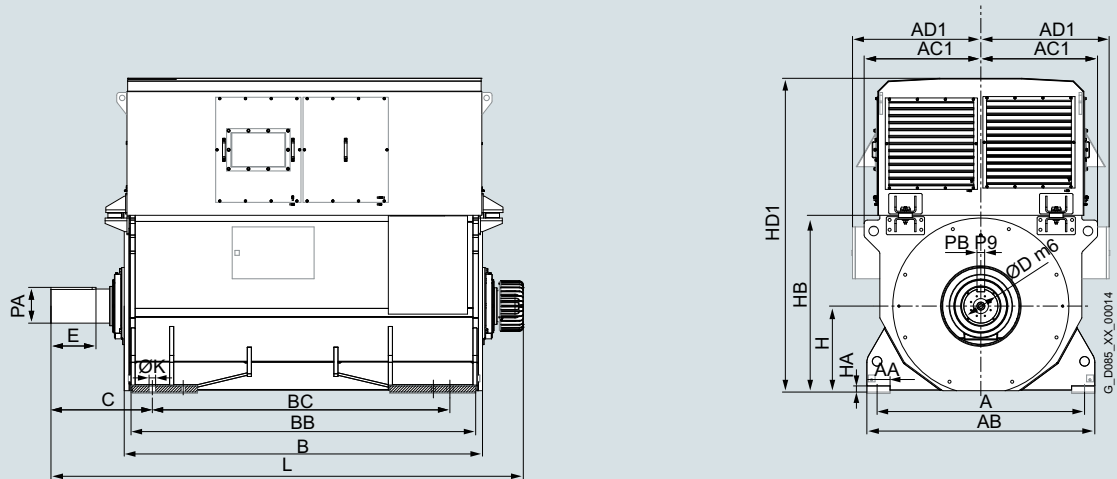
Article No.	Dimensions												
	Ø D	E	PB	PA	L	B	BB	BC	BD	BE	C	AB	A
	mm	mm	mm	mm	mm	mm	mm	mm	mm	mm	mm	mm	mm
1DK1 (Z ventilation), anti-friction bearing													
10-pole, 4.16 kV, 60 Hz													
1DK1102-OSF10-0FA1	200	280	45	215	3176	2370	2280	1935	–	–	682	1670	1520
1DK1102-0VF10-0FA1	210	280	50	227	3176	2370	2280	1935	–	–	682	1670	1520
1DK1102-0YF10-0FA1	220	280	50	237	3176	2370	2280	1935	–	–	682	1670	1520
1DK1102-1EF10-0FA1	210	280	50	227	3176	2370	2280	1935	–	–	682	1670	1520
1DK1102-1MF10-0FA1	210	280	50	227	3176	2370	2280	1935	–	–	682	1670	1520
1DK1102-1RF10-0FA1	220	280	50	237	3421	2615	2525	2180	–	–	682	1670	1520
Article No. (repeated)	Dimensions									Weight			
	HA	AA	H	HB	HD ₁	AC ₁	AD ₁	Ø K		kg			
	mm	mm	mm	mm	mm	mm	mm	mm					
10-pole, 4.16 kV, 60 Hz													
1DK1102-OSF10-0FA1	45	170	630	1300	2300	855	950	48		9900			
1DK1102-0VF10-0FA1	45	170	630	1300	2300	855	950	48		10419			
1DK1102-0YF10-0FA1	45	170	630	1300	2300	855	950	48		10901			
1DK1102-1EF10-0FA1	45	170	630	1300	2300	855	950	48		11741			
1DK1102-1MF10-0FA1	45	170	630	1300	2300	855	950	48		12868			
1DK1102-1RF10-0FA1	45	170	630	1300	2300	855	950	48		13860			

Dimensional drawings


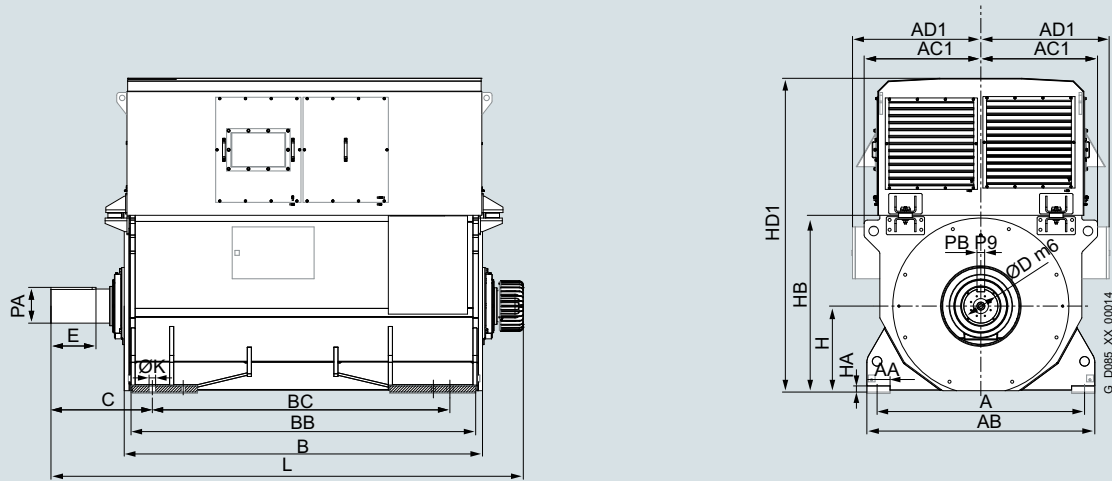
Article No.	Dimensions												
	Ø D	E	PB	PA	L	B	BB	BC	BD	BE	C	AB	A
	mm	mm	mm	mm	mm	mm	mm	mm	mm	mm	mm	mm	mm
1DK1 (Z ventilation), anti-friction bearing													
4-pole, 6.3 kV, 50 Hz													
1DK1082-0TH04-0FA1	180	240	45	190	2785	1815	1745	1450	–	–	660	1340	1200
1DK1082-0WH04-0FA1	180	240	45	190	2985	2015	1945	1650	–	–	660	1340	1200
1DK1082-1AH04-0FA1	180	240	45	190	2985	2015	1945	1650	–	–	660	1340	1200
1DK1082-1DH04-0FA1	190	280	45	200	2995	2015	1945	1650	–	–	660	1340	1200
6-pole, 6.3 kV, 50 Hz													
1DK1080-0UH06-0NA1	180	240	45	190	2816	1815	1745	1450	–	–	691	1340	1200
1DK1082-1AH06-0NA1	190	280	45	200	3016	2015	1945	1650	–	–	691	1340	1200
1DK1082-1GH06-0NA1	190	280	45	210	3026	2015	1945	1650	–	–	691	1340	1200
1DK1102-0VH06-0FA1	200	280	45	215	3176	2370	2280	1935	–	–	682	1670	1520
1DK1102-0YH06-0FA1	210	280	50	227	3176	2370	2280	1935	–	–	682	1670	1520
1DK1102-1CH06-0FA1	210	280	50	227	3176	2370	2280	1935	–	–	682	1670	1520
1DK1102-1HH06-0FA1	220	280	50	237	3176	2370	2280	1935	–	–	682	1670	1520
1DK1102-1NH06-0FA1	210	280	50	227	3421	2615	2525	2180	–	–	682	1670	1520
Article No. (repeated)	Dimensions								Weight				
	HA	AA	H	HB	HD ₁	AC ₁	AD ₁	Ø K		kg			
	mm	mm	mm	mm	mm	mm	mm	mm					
4-pole, 6.3 kV, 50 Hz													
1DK1082-0TH04-0FA1	45	150	560	1170	2127	720	720	48	7334				
1DK1082-0WH04-0FA1	45	150	560	1170	2127	720	720	48	7925				
1DK1082-1AH04-0FA1	45	150	560	1170	2127	720	720	48	8332				
1DK1082-1DH04-0FA1	45	150	560	1170	2127	720	720	48	8760				
6-pole, 6.3 kV, 50 Hz													
1DK1080-0UH06-0NA1	45	150	560	1170	2127	720	720	48	7398				
1DK1082-1AH06-0NA1	45	150	560	1170	2127	720	720	48	8309				
1DK1082-1GH06-0NA1	45	150	560	1170	2127	720	720	48	9092				
1DK1102-0VH06-0FA1	45	170	630	1300	2300	855	950	48	10667				
1DK1102-0YH06-0FA1	45	170	630	1300	2300	855	950	48	11135				
1DK1102-1CH06-0FA1	45	170	630	1300	2300	855	950	48	11618				
1DK1102-1HH06-0FA1	45	170	630	1300	2300	855	950	48	12450				
1DK1102-1NH06-0FA1	45	170	630	1300	2300	855	950	48	13663				

Technical data

Industrial/Marine applications

IC01 cooling method**Dimensional drawings** (continued)

Article No.	Dimensions												
	Ø D mm	E mm	PB mm	PA mm	L mm	B mm	BB mm	BC mm	BD mm	BE mm	C mm	AB mm	A mm
1DK1 (Z ventilation), anti-friction bearing													
8-pole, 6.3 kV, 50 Hz													
1DK1082-0TH08-0NA1	180	240	45	190	2816	1815	1745	1450	–	–	691	1340	1200
1DK1082-1AH08-0NA1	190	280	45	200	2826	1815	1745	1450	–	–	691	1340	1200
1DK1082-1EH08-0NA1	190	280	45	210	3026	2015	1945	1650	–	–	691	1340	1200
1DK1102-0TH08-0FA1	210	280	50	227	3176	2370	2280	1935	–	–	682	1670	1520
1DK1102-0WH08-0FA1	210	280	50	227	3176	2370	2280	1935	–	–	682	1670	1520
1DK1102-1AH08-0FA1	210	280	50	227	3176	2370	2280	1935	–	–	682	1670	1520
1DK1102-1DH08-0FA1	220	280	50	237	3176	2370	2280	1935	–	–	682	1670	1520
1DK1102-1JH08-0FA1	210	280	50	227	3176	2370	2280	1935	–	–	682	1670	1520
1DK1102-1PH08-0FA1	210	280	50	227	3421	2615	2525	2180	–	–	682	1670	1520
Article No. (repeated)	Dimensions									Weight kg			
	HA mm	AA mm	H mm	HB mm	HD ₁ mm	AC ₁ mm	AD ₁ mm	Ø K mm					
8-pole, 6.3 kV, 50 Hz													
1DK1082-0TH08-0NA1	45	150	560	1170	2127	720	720	48	7338				
1DK1082-1AH08-0NA1	45	150	560	1170	2127	720	720	48	8171				
1DK1082-1EH08-0NA1	45	150	560	1170	2127	720	720	48	8929				
1DK1102-0TH08-0FA1	45	170	630	1300	2300	855	950	48	10230				
1DK1102-0WH08-0FA1	45	170	630	1300	2300	855	950	48	10738				
1DK1102-1AH08-0FA1	45	170	630	1300	2300	855	950	48	11279				
1DK1102-1DH08-0FA1	45	170	630	1300	2300	855	950	48	11724				
1DK1102-1JH08-0FA1	45	170	630	1300	2300	855	950	48	12614				
1DK1102-1PH08-0FA1	45	170	630	1300	2300	855	950	48	13805				

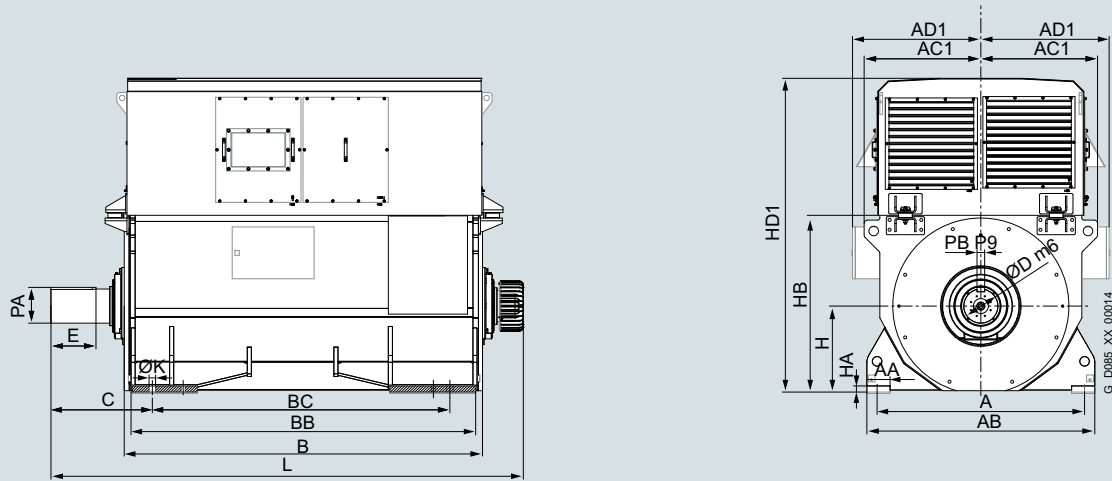
Dimensional drawings (continued)


Article No.	Dimensions												
	Ø D	E	PB	PA	L	B	BB	BC	BD	BE	C	AB	A
	mm	mm	mm	mm	mm	mm	mm	mm	mm	mm	mm	mm	mm
1DK1 (Z ventilation), anti-friction bearing													
10-pole, 6.3 kV, 50 Hz													
1DK1102-OSH10-0FA1	200	280	45	215	3176	2370	2280	1935	–	–	682	1670	1520
1DK1102-0VH10-0FA1	210	280	50	227	3176	2370	2280	1935	–	–	682	1670	1520
1DK1102-0YH10-0FA1	210	280	50	227	3176	2370	2280	1935	–	–	682	1670	1520
1DK1102-1EH10-0FA1	220	280	50	237	3176	2370	2280	1935	–	–	682	1670	1520
1DK1102-1MH10-0FA1	210	280	50	227	3176	2370	2280	1935	–	–	682	1670	1520
1DK1102-1RH10-0FA1	210	280	50	227	3421	2615	2525	2180	–	–	682	1670	1520
Article No. (repeated)	Dimensions									Weight			
	HA	AA	H	HB	HD ₁	AC ₁	AD ₁	Ø K		kg			
	mm	mm	mm	mm	mm	mm	mm	mm					
10-pole, 6.3 kV, 50 Hz													
1DK1102-OSH10-0FA1	45	170	630	1300	2300	855	950	48		9861			
1DK1102-0VH10-0FA1	45	170	630	1300	2300	855	950	48		10360			
1DK1102-0YH10-0FA1	45	170	630	1300	2300	855	950	48		10834			
1DK1102-1EH10-0FA1	45	170	630	1300	2300	855	950	48		11610			
1DK1102-1MH10-0FA1	45	170	630	1300	2300	855	950	48		12761			
1DK1102-1RH10-0FA1	45	170	630	1300	2300	855	950	48		13707			

Technical data

Industrial/Marine applications

IC01 cooling method

Dimensional drawings

Article No.	Dimensions												
	Ø D	E	PB	PA	L	B	BB	BC	BD	BE	C	AB	A
	mm	mm	mm	mm	mm	mm	mm	mm	mm	mm	mm	mm	mm

1DK1 (Z ventilation), anti-friction bearing

4-pole, 6.6 kV, 60 Hz

1DK1082-ORK04-0FA1	180	240	45	190	2785	1815	1745	1450	-	-	660	1340	1200
1DK1082-OTK04-0FA1	180	240	45	190	2785	1815	1745	1450	-	-	660	1340	1200
1DK1082-OWK04-0FA1	180	240	45	190	2985	2015	1945	1650	-	-	660	1340	1200
1DK1082-1AK04-0FA1	190	280	45	200	2995	2015	1945	1650	-	-	660	1340	1200

6-pole, 6.6 kV, 60 Hz

1DK1080-OUK06-0NA1	180	240	45	190	2816	1815	1745	1450	-	-	691	1340	1200
1DK1082-1AK06-0NA1	190	280	45	200	3016	2015	1945	1650	-	-	691	1340	1200
1DK1082-1GK06-0NA1	190	280	45	200	3016	2015	1945	1650	-	-	691	1340	1200
1DK1102-0VK06-0FA1	200	280	45	215	3176	2370	2280	1935	-	-	682	1670	1520
1DK1102-0YK06-0FA1	210	280	50	227	3176	2370	2280	1935	-	-	682	1670	1520
1DK1102-1CK06-0FA1	220	280	50	237	3176	2370	2280	1935	-	-	682	1670	1520
1DK1102-1HK06-0FA1	210	280	50	227	3176	2370	2280	1935	-	-	682	1670	1520
1DK1102-1NK06-0FA1	210	280	50	227	3421	2615	2525	2180	-	-	682	1670	1520

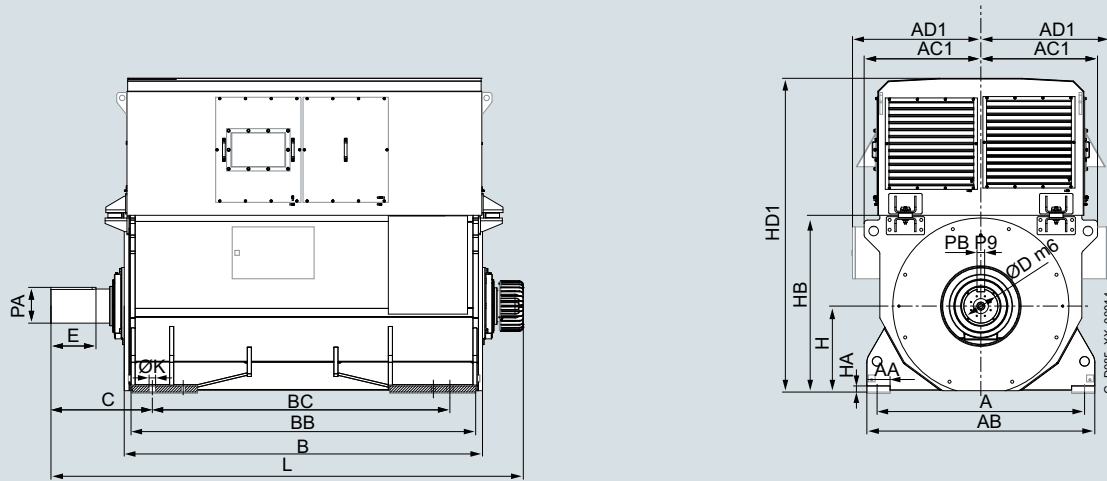
Article No. (repeated)	Dimensions								Weight
	HA	AA	H	HB	HD ₁	AC ₁	AD ₁	Ø K	
	mm	mm	mm	mm	mm	mm	mm	mm	kg

4-pole, 6.6 kV, 60 Hz

1DK1082-ORK04-0FA1	45	150	560	1170	2127	720	720	48	7065
1DK1082-OTK04-0FA1	45	150	560	1170	2127	720	720	48	7361
1DK1082-OWK04-0FA1	45	150	560	1170	2127	720	720	48	7939
1DK1082-1AK04-0FA1	45	150	560	1170	2127	720	720	48	8370

6-pole, 6.6 kV, 60 Hz

1DK1080-OUK06-0NA1	45	150	560	1170	2127	720	720	48	7481
1DK1082-1AK06-0NA1	45	150	560	1170	2127	720	720	48	8270
1DK1082-1GK06-0NA1	45	150	560	1170	2127	720	720	48	9071
1DK1102-0VK06-0FA1	45	170	630	1300	2300	855	950	48	10637
1DK1102-0YK06-0FA1	45	170	630	1300	2300	855	950	48	11120
1DK1102-1CK06-0FA1	45	170	630	1300	2300	855	950	48	11633
1DK1102-1HK06-0FA1	45	170	630	1300	2300	855	950	48	12456
1DK1102-1NK06-0FA1	45	170	630	1300	2300	855	950	48	13671

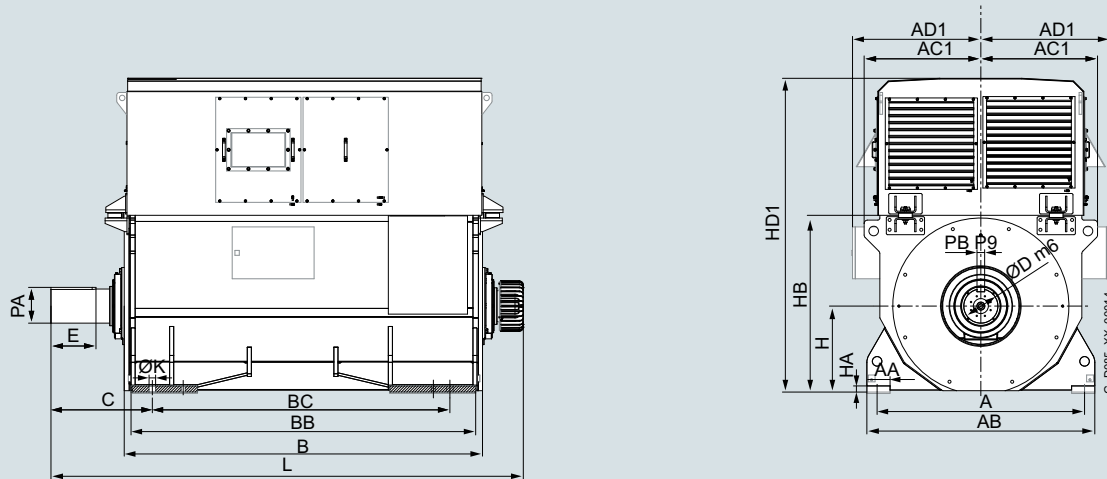
Dimensional drawings (continued)


Article No.	Dimensions												
	Ø D	E	PB	PA	L	B	BB	BC	BD	BE	C	AB	A
	mm	mm	mm	mm	mm	mm	mm	mm	mm	mm	mm	mm	mm
1DK1 (Z ventilation), anti-friction bearing													
8-pole, 6.6 kV, 60 Hz													
1DK1082-OTK08-ONA1	180	240	45	190	2816	1815	1745	1450	–	–	691	1340	1200
1DK1082-1AK08-ONA1	190	280	45	200	2826	1815	1745	1450	–	–	691	1340	1200
1DK1082-1EK08-ONA1	190	280	45	210	3026	2015	1945	1650	–	–	691	1340	1200
1DK1102-OTK08-OFA1	210	280	50	227	3176	2370	2280	1935	–	–	682	1670	1520
1DK1102-0WK08-OFA1	210	280	50	227	3176	2370	2280	1935	–	–	682	1670	1520
1DK1102-1AK08-OFA1	220	280	50	237	3176	2370	2280	1935	–	–	682	1670	1520
1DK1102-1DK08-OFA1	220	280	50	237	3176	2370	2280	1935	–	–	682	1670	1520
1DK1102-1JK08-OFA1	210	280	50	227	3176	2370	2280	1935	–	–	682	1670	1520
1DK1102-1PK08-OFA1	220	280	50	237	3421	2615	2525	2180	–	–	682	1670	1520
Article No. (repeated)	Dimensions								Weight				
	HA	AA	H	HB	HD ₁	AC ₁	AD ₁	Ø K		kg			
	mm	mm	mm	mm	mm	mm	mm	mm					
8-pole, 6.6 kV, 60 Hz													
1DK1082-OTK08-ONA1	45	150	560	1170	2127	720	720	48	7344				
1DK1082-1AK08-ONA1	45	150	560	1170	2127	720	720	48	8184				
1DK1082-1EK08-ONA1	45	150	560	1170	2127	720	720	48	8883				
1DK1102-OTK08-OFA1	45	170	630	1300	2300	855	950	48	10239				
1DK1102-0WK08-OFA1	45	170	630	1300	2300	855	950	48	10746				
1DK1102-1AK08-OFA1	45	170	630	1300	2300	855	950	48	11226				
1DK1102-1DK08-OFA1	45	170	630	1300	2300	855	950	48	11740				
1DK1102-1JK08-OFA1	45	170	630	1300	2300	855	950	48	12635				
1DK1102-1PK08-OFA1	45	170	630	1300	2300	855	950	48	13817				

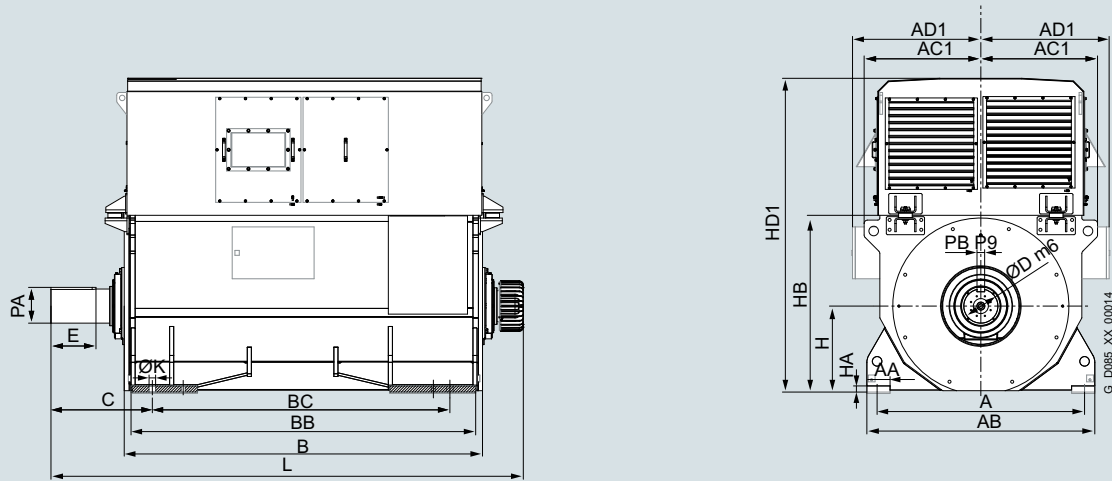
Technical data

Industrial/Marine applications

IC01 cooling method

Dimensional drawings (continued)

Article No.	Dimensions												
	Ø D mm	E mm	PB mm	PA mm	L mm	B mm	BB mm	BC mm	BD mm	BE mm	C mm	AB mm	A mm
1DK1 (Z ventilation), anti-friction bearing													
10-pole, 6.6 kV, 60 Hz													
1DK1102-OSK10-0FA1	200	280	45	215	3176	2370	2280	1935	–	–	682	1670	1520
1DK1102-0VK10-0FA1	210	280	50	227	3176	2370	2280	1935	–	–	682	1670	1520
1DK1102-0YK10-0FA1	210	280	50	227	3176	2370	2280	1935	–	–	682	1670	1520
1DK1102-1EK10-0FA1	220	280	50	237	3176	2370	2280	1935	–	–	682	1670	1520
1DK1102-1MK10-0FA1	210	280	50	227	3176	2370	2280	1935	–	–	682	1670	1520
1DK1102-1RK10-0FA1	210	280	50	227	3421	2615	2525	2180	–	–	682	1670	1520
Article No. (repeated)	Dimensions									Weight kg			
	HA mm	AA mm	H mm	HB mm	HD ₁ mm	AC ₁ mm	AD ₁ mm	Ø K mm					
10-pole, 6.6 kV, 60 Hz													
1DK1102-OSK10-0FA1	45	170	630	1300	2300	855	950	48	9899				
1DK1102-0VK10-0FA1	45	170	630	1300	2300	855	950	48	10400				
1DK1102-0YK10-0FA1	45	170	630	1300	2300	855	950	48	10875				
1DK1102-1EK10-0FA1	45	170	630	1300	2300	855	950	48	11608				
1DK1102-1MK10-0FA1	45	170	630	1300	2300	855	950	48	12754				
1DK1102-1RK10-0FA1	45	170	630	1300	2300	855	950	48	13791				

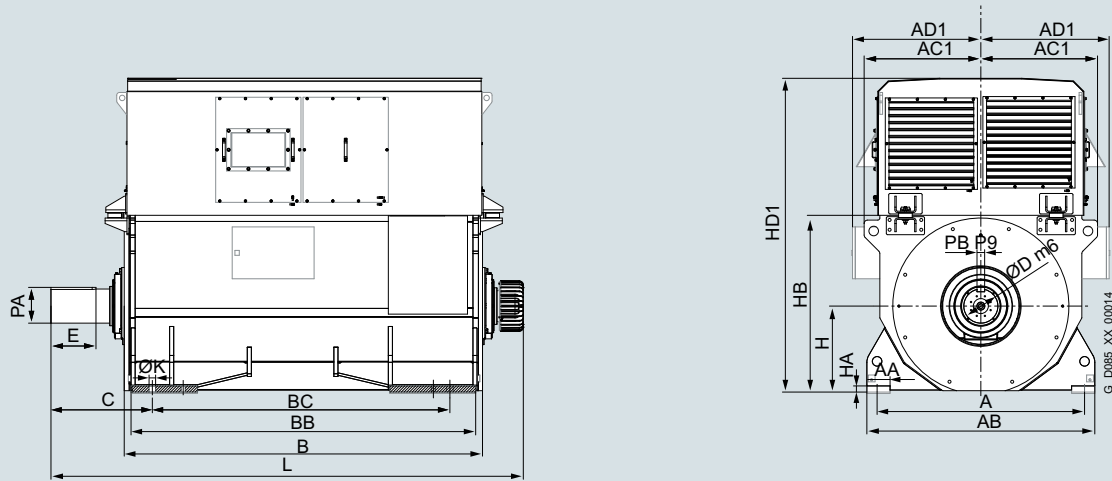
Dimensional drawings


Article No.	Dimensions												
	Ø D mm	E mm	PB mm	PA mm	L mm	B mm	BB mm	BC mm	BD mm	BE mm	C mm	AB mm	A mm
1DK1 (Z ventilation), anti-friction bearing													
4-pole, 11 kV, 50 Hz													
1DK1082-0TN04-0NA1	190	280	45	200	2742	1810	1745	1450	–	–	603	1340	1200
1DK1082-0WN04-0NA1	190	280	45	200	2942	2010	1945	1650	–	–	603	1340	1200
1DK1082-1AN04-0NA1	190	280	45	200	2942	2010	1945	1650	–	–	603	1340	1200
1DK1082-1DN04-0NA1	190	280	45	200	2942	2010	1945	1650	–	–	603	1340	1200
6-pole, 11 kV, 50 Hz													
1DK1082-0UN06-0FA1	190	280	45	200	2758	1810	1745	1450	–	–	619	1340	1200
1DK1082-1AN06-0FA1	190	280	45	200	2958	2010	1945	1650	–	–	619	1340	1200
1DK1102-0VN06-0FA1	190	280	45	205	3176	2370	2280	1935	–	–	682	1670	1520
1DK1102-0YN06-0FA1	210	280	50	227	3176	2370	2280	1935	–	–	682	1670	1520
1DK1102-1CN06-0FA1	210	280	50	227	3176	2370	2280	1935	–	–	682	1670	1520
1DK1102-1HN06-0FA1	210	280	50	227	3176	2370	2280	1935	–	–	682	1670	1520
1DK1102-1NN06-0FA1	220	280	50	237	3421	2615	2525	2180	–	–	682	1670	1520
Article No. (repeated)	Dimensions								Weight kg				
	HA mm	AA mm	H mm	HB mm	HD ₁ mm	AC ₁ mm	AD ₁ mm	Ø K mm					
4-pole, 11 kV, 50 Hz													
1DK1082-0TN04-0NA1	45	150	560	1160	2117	720	720	48	7317				
1DK1082-0WN04-0NA1	45	150	560	1160	2117	720	720	48	7897				
1DK1082-1AN04-0NA1	45	150	560	1160	2117	720	720	48	8331				
1DK1082-1DN04-0NA1	45	150	560	1160	2117	720	720	48	8728				
6-pole, 11 kV, 50 Hz													
1DK1082-0UN06-0FA1	45	150	560	1160	2117	720	720	48	7416				
1DK1082-1AN06-0FA1	45	150	560	1160	2117	720	720	48	8287				
1DK1102-0VN06-0FA1	45	170	630	1300	2300	855	950	48	10571				
1DK1102-0YN06-0FA1	45	170	630	1300	2300	855	950	48	11048				
1DK1102-1CN06-0FA1	45	170	630	1300	2300	855	950	48	11514				
1DK1102-1HN06-0FA1	45	170	630	1300	2300	855	950	48	12313				
1DK1102-1NN06-0FA1	45	170	630	1300	2300	855	950	48	13511				

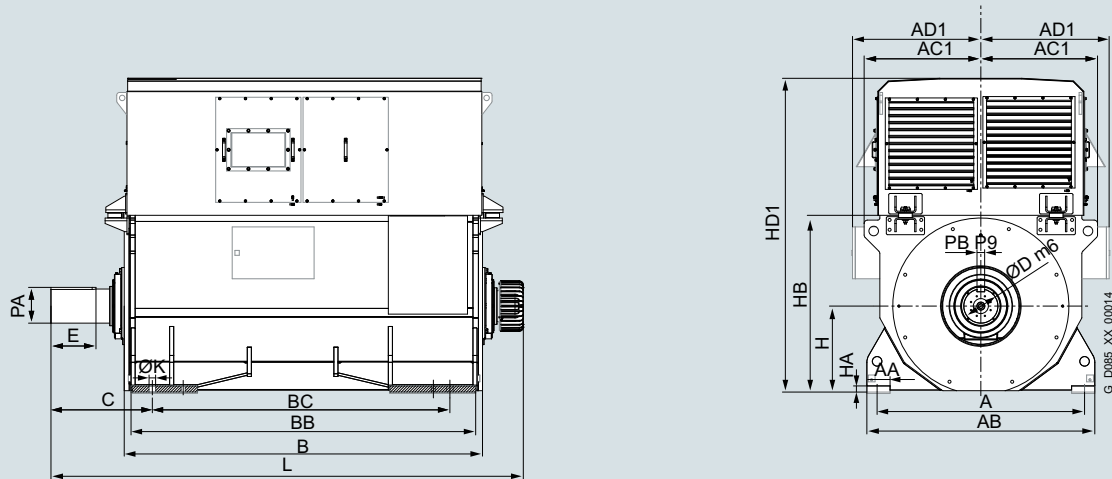
Technical data

Industrial/Marine applications

IC01 cooling method

Dimensional drawings (continued)

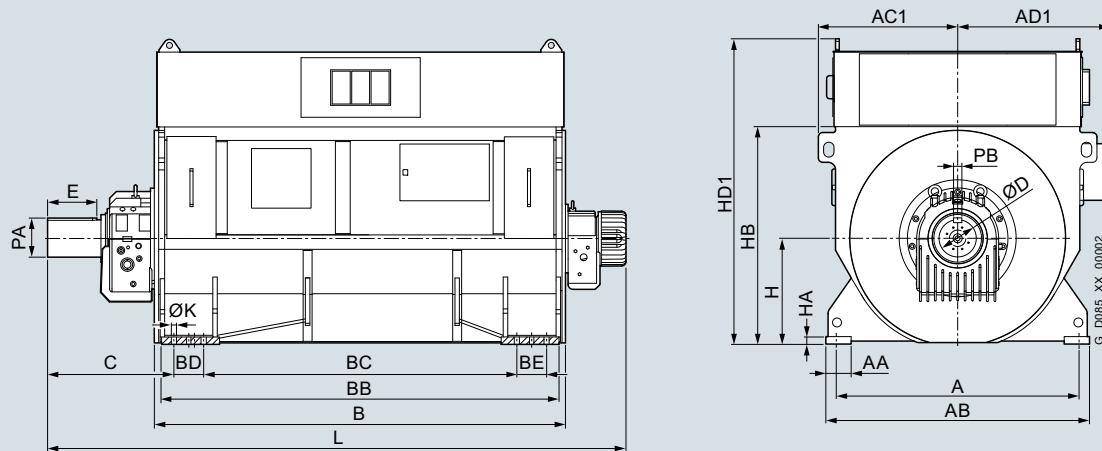
Article No.	Dimensions												
	Ø D mm	E mm	PB mm	PA mm	L mm	B mm	BB mm	BC mm	BD mm	BE mm	C mm	AB mm	A mm
1DK1 (Z ventilation), anti-friction bearing													
8-pole, 11 kV, 50 Hz													
1DK1082-OTN08-0FA1	190	280	45	200	2758	1810	1745	1450	–	–	619	1340	1200
1DK1082-1AN08-0FA1	190	280	45	200	2958	2010	1945	1650	–	–	619	1340	1200
1DK1082-1EN08-0FA1	190	280	45	200	2958	2010	1945	1650	–	–	619	1340	1200
1DK1102-OTN08-0FA1	190	280	45	205	3176	2370	2280	1935	–	–	682	1670	1520
1DK1102-0WN08-0FA1	200	280	45	215	3176	2370	2280	1935	–	–	682	1670	1520
1DK1102-1AN08-0FA1	210	280	50	227	3176	2370	2280	1935	–	–	682	1670	1520
1DK1102-1DN08-0FA1	210	280	50	227	3176	2370	2280	1935	–	–	682	1670	1520
1DK1102-1JN08-0FA1	220	280	50	237	3176	2370	2280	1935	–	–	682	1670	1520
1DK1102-1PN08-0FA1	210	280	50	227	3421	2615	2525	2180	–	–	682	1670	1520
Article No. (repeated)	Dimensions									Weight kg			
	HA mm	AA mm	H mm	HB mm	HD ₁ mm	AC ₁ mm	AD ₁ mm	Ø K mm					
8-pole, 11 kV, 50 Hz													
1DK1082-OTN08-0FA1	45	150	560	1160	2117	720	720	48	7339				
1DK1082-1AN08-0FA1	45	150	560	1160	2117	720	720	48	8363				
1DK1082-1EN08-0FA1	45	150	560	1160	2117	720	720	48	8922				
1DK1102-OTN08-0FA1	45	170	630	1300	2300	855	950	48	10103				
1DK1102-0WN08-0FA1	45	170	630	1300	2300	855	950	48	10594				
1DK1102-1AN08-0FA1	45	170	630	1300	2300	855	950	48	11088				
1DK1102-1DN08-0FA1	45	170	630	1300	2300	855	950	48	11574				
1DK1102-1JN08-0FA1	45	170	630	1300	2300	855	950	48	12452				
1DK1102-1PN08-0FA1	45	170	630	1300	2300	855	950	48	13621				

Dimensional drawings (continued)


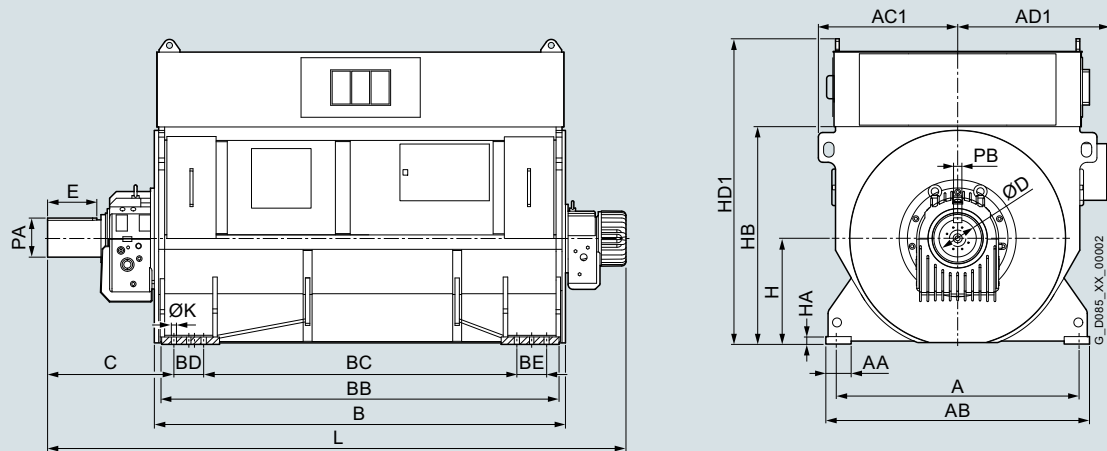
Article No.	Dimensions												
	Ø D	E	PB	PA	L	B	BB	BC	BD	BE	C	AB	A
	mm	mm	mm	mm	mm	mm	mm	mm	mm	mm	mm	mm	mm
1DK1 (Z ventilation), anti-friction bearing													
6-pole, 13.8 kV, 60 Hz													
1DK1102-0VR06-0FA1	190	280	45	205	3176	2370	2280	1935	–	–	682	1670	1520
1DK1102-0YR06-0FA1	200	280	45	215	3176	2370	2280	1935	–	–	682	1670	1520
1DK1102-1CR06-0FA1	210	280	50	227	3176	2370	2280	1935	–	–	682	1670	1520
1DK1102-1HR06-0FA1	210	280	50	227	3176	2370	2280	1935	–	–	682	1670	1520
1DK1102-1NR06-0FA1	220	280	50	237	3421	2615	2525	2180	–	–	682	1670	1520
8-pole, 13.8 kV, 60 Hz													
1DK1102-0TR08-0FA1	190	280	45	205	3176	2370	2280	1935	–	–	682	1670	1520
1DK1102-0WR08-0FA1	190	280	45	205	3176	2370	2280	1935	–	–	682	1670	1520
1DK1102-1AR08-0FA1	200	280	45	215	3176	2370	2280	1935	–	–	682	1670	1520
1DK1102-1DR08-0FA1	210	280	50	227	3176	2370	2280	1935	–	–	682	1670	1520
1DK1102-1JR08-0FA1	210	280	50	227	3176	2370	2280	1935	–	–	682	1670	1520
1DK1102-1PR08-0FA1	220	280	50	237	3421	2615	2525	2180	–	–	682	1670	1520
Article No. (repeated)	Dimensions								Weight				
	HA	AA	H	HB	HD ₁	AC ₁	AD ₁	Ø K					
	mm	mm	mm	mm	mm	mm	mm	mm	kg				
6-pole, 13.8 kV, 60 Hz													
1DK1102-0VR06-0FA1	45	170	630	1300	2300	855	950	48	10533				
1DK1102-0YR06-0FA1	45	170	630	1300	2300	855	950	48	11005				
1DK1102-1CR06-0FA1	45	170	630	1300	2300	855	950	48	11514				
1DK1102-1HR06-0FA1	45	170	630	1300	2300	855	950	48	12253				
1DK1102-1NR06-0FA1	45	170	630	1300	2300	855	950	48	13498				
8-pole, 13.8 kV, 60 Hz													
1DK1102-0TR08-0FA1	45	170	630	1300	2300	855	950	48	10024				
1DK1102-0WR08-0FA1	45	170	630	1300	2300	855	950	48	10509				
1DK1102-1AR08-0FA1	45	170	630	1300	2300	855	950	48	11005				
1DK1102-1DR08-0FA1	45	170	630	1300	2300	855	950	48	11490				
1DK1102-1JR08-0FA1	45	170	630	1300	2300	855	950	48	12347				
1DK1102-1PR08-0FA1	45	170	630	1300	2300	855	950	48	13504				

Technical data

Industrial/Marine applications

IC01 cooling method**Dimensional drawings**

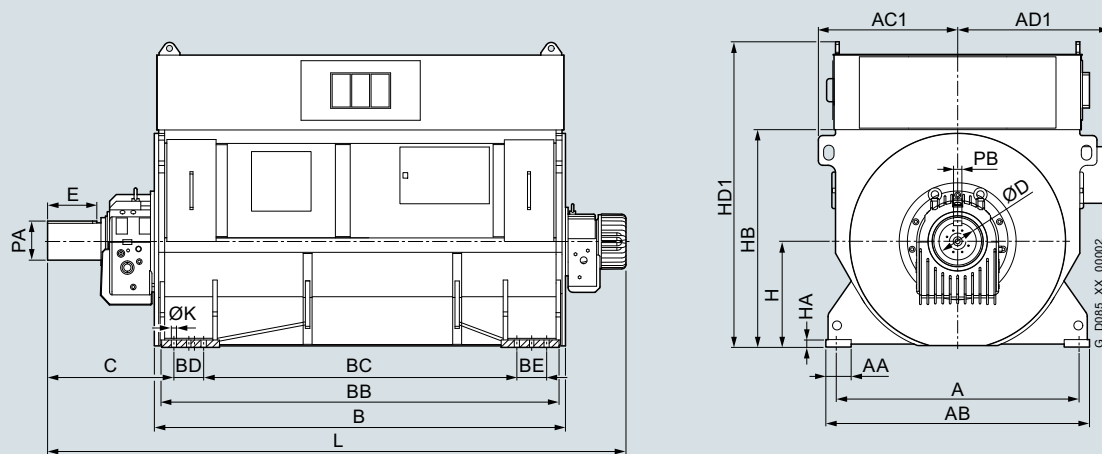
Article No.	Dimensions												
	Ø D mm	E mm	PB mm	PA mm	L mm	B mm	BB mm	BC mm	BD mm	BE mm	C mm	AB mm	A mm
1DK1 (Z ventilation), sleeve bearing													
4-pole, 400 V, 50 Hz													
1DK1082-0TA04-0FA2	180	240	45	190	2785	1815	1745	1450	–	–	800	1340	1200
6-pole, 400 V, 50 Hz													
1DK1082-0UA06-0FA2	180	240	45	190	2816	1815	1745	1450	–	–	831	1340	1200
1DK1082-1AA06-0FA2	190	280	45	210	3026	2015	1945	1650	–	–	831	1340	1200
1DK1082-1GA06-0FA2	190	280	50	221	3036	2015	1945	1650	–	–	831	1340	1200
8-pole, 400 V, 50 Hz													
1DK1082-0TA08-0FA2	180	240	45	190	2816	1815	1745	1450	–	–	831	1340	1200
1DK1082-1AA08-0FA2	190	280	45	210	2836	1815	1745	1450	–	–	831	1340	1200
1DK1082-1EA08-0FA2	190	280	45	210	3026	2015	1945	1650	–	–	831	1340	1200
1DK1102-0TA08-0FA2	210	280	50	227	3579	2390	2280	1935	–	–	934	1670	1520
1DK1102-1JA08-0FA2	240	330	56	260	3629	2390	2280	1935	–	–	984	1670	1520
Article No. (repeated)	Dimensions									Weight kg			
	HA mm	AA mm	H mm	HB mm	HD ₁ mm	AC ₁ mm	AD ₁ mm	Ø K mm					
4-pole, 400 V, 50 Hz													
1DK1082-0TA04-0FA2	45	150	560	1170	2127	720	720	48	7500				
6-pole, 400 V, 50 Hz													
1DK1082-0UA06-0FA2	45	150	560	1170	2127	720	720	48	7643				
1DK1082-1AA06-0FA2	45	150	560	1170	2127	720	720	48	8538				
1DK1082-1GA06-0FA2	45	150	560	1170	2127	720	720	48	9486				
8-pole, 400 V, 50 Hz													
1DK1082-0TA08-0FA2	45	150	560	1170	2127	720	720	48	7475				
1DK1082-1AA08-0FA2	45	150	560	1170	2127	720	720	48	8400				
1DK1082-1EA08-0FA2	45	150	560	1170	2127	720	720	48	9153				
1DK1102-0TA08-0FA2	45	170	630	1300	2300	855	950	48	11203				
1DK1102-1JA08-0FA2	45	170	630	1300	2300	855	950	48	13682				

Dimensional drawings (continued)


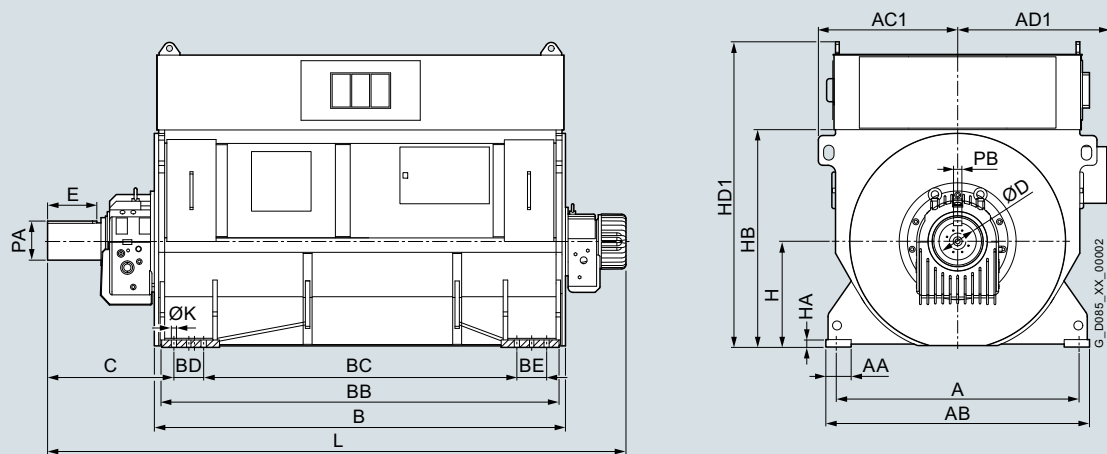
Article No.	Dimensions												
	Ø D	E	PB	PA	L	B	BB	BC	BD	BE	C	AB	A
	mm	mm	mm	mm	mm	mm	mm	mm	mm	mm	mm	mm	mm
1DK1 (Z ventilation), sleeve bearing													
10-pole, 400 V, 50 Hz													
1DK1082-0QA10-0FA2	180	240	45	190	2816	1815	1745	1450	–	–	831	1340	1200
1DK1082-1CA10-0FA2	190	280	45	210	3026	2015	1945	1650	–	–	831	1340	1200
1DK1102-0YA10-0FA2	220	280	50	237	3579	2390	2280	1935	–	–	934	1670	1520
1DK1102-1EA10-0FA2	230	330	50	247	3629	2390	2280	1935	–	–	984	1670	1520
1DK1102-1MA10-0FA2	240	330	56	260	3629	2390	2280	1935	–	–	984	1670	1520
12-pole, 400 V, 50 Hz													
1DK1122-1AA12-0FA2	240	330	56	252	3505	2460	2370	1812	200	200	875	1770	1630
1DK1122-1DA12-0FA2	250	330	56	262	3505	2460	2370	1812	200	200	875	1770	1630
1DK1122-1GA12-0FA2	260	330	56	272	3505	2460	2370	1812	200	200	875	1770	1630
Article No. (repeated)	Dimensions									Weight			
	HA	AA	H	HB	HD ₁	AC ₁	AD ₁	Ø K	kg				
	mm	mm	mm	mm	mm	mm	mm	mm	mm				
10-pole, 400 V, 50 Hz													
1DK1082-0QA10-0FA2	45	150	560	1170	2127	720	720	48	7112				
1DK1082-1CA10-0FA2	45	150	560	1170	2127	720	720	48	8841				
1DK1102-0YA10-0FA2	45	170	630	1300	2300	855	950	48	11800				
1DK1102-1EA10-0FA2	45	170	630	1300	2300	855	950	48	12646				
1DK1102-1MA10-0FA2	45	170	630	1300	2300	855	950	48	13854				
12-pole, 400 V, 50 Hz													
1DK1122-1AA12-0FA2	50	170	710	1460	2270	940	1020	39	13717				
1DK1122-1DA12-0FA2	50	170	710	1460	2270	940	1020	39	14341				
1DK1122-1GA12-0FA2	50	170	710	1460	2270	940	1020	39	14994				

Technical data

Industrial/Marine applications

IC01 cooling method**Dimensional drawings**

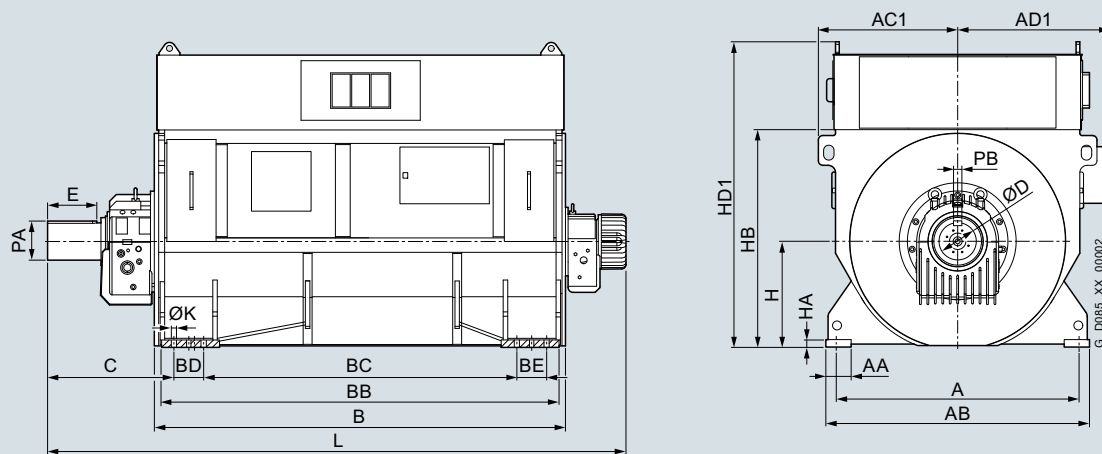
Article No.	Dimensions												
	Ø D mm	E mm	PB mm	PA mm	L mm	B mm	BB mm	BC mm	BD mm	BE mm	C mm	AB mm	A mm
1DK1 (Z ventilation), sleeve bearing													
4-pole, 450 V, 60 Hz													
1DK1082-ORB04-0FA2	180	240	45	190	2785	1815	1745	1450	-	-	800	1340	1200
6-pole, 450 V, 60 Hz													
1DK1082-0UB06-0FA2	190	280	45	200	2826	1815	1745	1450	-	-	831	1340	1200
1DK1082-1AB06-0FA2	190	280	45	210	3026	2015	1945	1650	-	-	831	1340	1200
8-pole, 450 V, 60 Hz													
1DK1082-0TB08-0FA2	190	280	45	200	2826	1815	1745	1450	-	-	831	1340	1200
1DK1082-1AB08-0FA2	190	280	45	200	2826	1815	1745	1450	-	-	831	1340	1200
1DK1082-1EB08-0FA2	190	280	45	210	3026	2015	1945	1650	-	-	831	1340	1200
1DK1102-0TB08-0FA2	210	280	50	227	3579	2390	2280	1935	-	-	934	1670	1520
1DK1102-0WB08-0FA2	220	280	50	237	3579	2390	2280	1935	-	-	934	1670	1520
Article No. (repeated)	Dimensions									Weight kg			
	HA mm	AA mm	H mm	HB mm	HD ₁ mm	AC ₁ mm	AD ₁ mm	Ø K mm					
4-pole, 450 V, 60 Hz													
1DK1082-ORB04-0FA2	45	150	560	1170	2127	720	720	48	7271				
6-pole, 450 V, 60 Hz													
1DK1082-0UB06-0FA2	45	150	560	1170	2127	720	720	48	7663				
1DK1082-1AB06-0FA2	45	150	560	1170	2127	720	720	48	8625				
8-pole, 450 V, 60 Hz													
1DK1082-0TB08-0FA2	45	150	560	1170	2127	720	720	48	7520				
1DK1082-1AB08-0FA2	45	150	560	1170	2127	720	720	48	8386				
1DK1082-1EB08-0FA2	45	150	560	1170	2127	720	720	48	9153				
1DK1102-0TB08-0FA2	45	170	630	1300	2300	855	950	48	11203				
1DK1102-0WB08-0FA2	45	170	630	1300	2300	855	950	48	11721				

Dimensional drawings (continued)


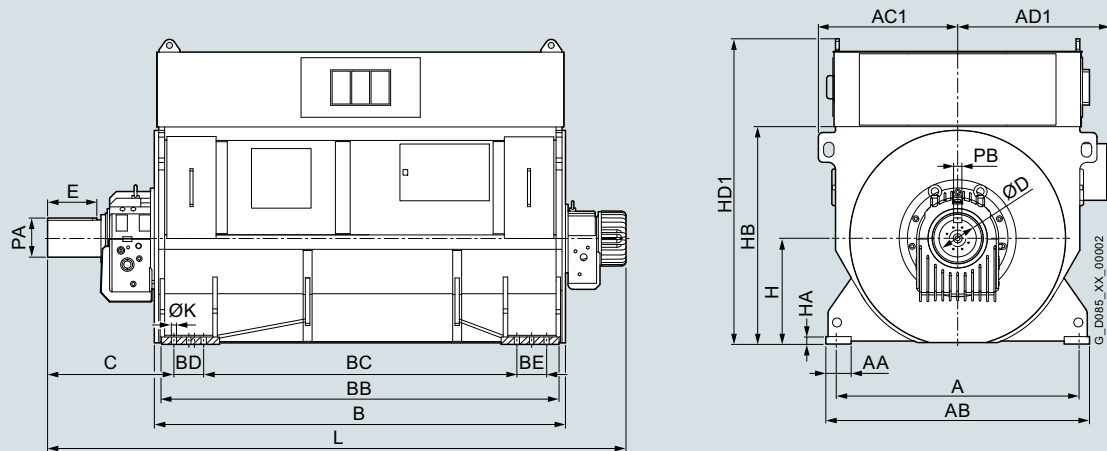
Article No.	Dimensions												
	Ø D mm	E mm	PB mm	PA mm	L mm	B mm	BB mm	BC mm	BD mm	BE mm	C mm	AB mm	A mm
1DK1 (Z ventilation), sleeve bearing													
10-pole, 450 V, 60 Hz													
1DK1082-0QB10-0FA2	180	240	45	190	2816	1815	1745	1450	–	–	831	1340	1200
1DK1082-0UB10-0FA2	190	280	45	200	2826	1815	1745	1450	–	–	831	1340	1200
1DK1082-1CB10-0FA2	190	280	50	221	3036	2015	1945	1650	–	–	831	1340	1200
1DK1102-0SB10-0FA2	210	280	50	227	3579	2390	2280	1935	–	–	934	1670	1520
1DK1102-0YB10-0FA2	240	330	56	237	3629	2390	2280	1935	–	–	984	1670	1520
1DK1102-1EB10-0FA2	240	330	50	247	3629	2390	2280	1935	–	–	984	1670	1520
12-pole, 450 V, 60 Hz													
1DK1122-1AB12-0FA2	250	330	56	262	3505	2460	2370	1812	200	200	875	1770	1630
1DK1122-1DB12-0FA2	250	330	56	262	3505	2460	2370	1812	200	200	875	1770	1630
14-pole, 450 V, 60 Hz													
1DK1122-1DB14-0FA2	230	330	50	241	3505	2460	2370	1812	200	200	875	1770	1630
1DK1122-1JB14-0FA2	240	330	56	252	3505	2460	2370	1812	200	200	875	1770	1630
1DK1122-1XB14-0FA2	240	330	56	252	3795	2750	2660	2102	200	200	875	1770	1630
Article No. (repeated)	Dimensions								Weight kg				
	HA mm	AA mm	H mm	HB mm	HD ₁ mm	AC ₁ mm	AD ₁ mm	Ø K mm					
10-pole, 450 V, 60 Hz													
1DK1082-0QB10-0FA2	45	150	560	1170	2127	720	720	48	7090				
1DK1082-0UB10-0FA2	45	150	560	1170	2127	720	720	48	7667				
1DK1082-1CB10-0FA2	45	150	560	1170	2127	720	720	48	8801				
1DK1102-0SB10-0FA2	45	170	630	1300	2300	855	950	48	10860				
1DK1102-0YB10-0FA2	45	170	630	1300	2300	855	950	48	11800				
1DK1102-1EB10-0FA2	45	170	630	1300	2300	855	950	48	12677				
12-pole, 450 V, 60 Hz													
1DK1122-1AB12-0FA2	50	170	710	1460	2270	940	1020	39	14063				
1DK1122-1DB12-0FA2	50	170	710	1460	2270	940	1020	39	14698				
14-pole, 450 V, 60 Hz													
1DK1122-1DB14-0FA2	50	170	710	1460	2270	940	1020	39	14266				
1DK1122-1JB14-0FA2	50	170	710	1460	2270	940	1020	39	15284				
1DK1122-1XB14-0FA2	50	170	710	1460	2270	940	1020	39	18455				

Technical data

Industrial/Marine applications

IC01 cooling method**Dimensional drawings**

Article No.	Dimensions												
	Ø D mm	E mm	PB mm	PA mm	L mm	B mm	BB mm	BC mm	BD mm	BE mm	C mm	AB mm	A mm
1DK1 (Z ventilation), sleeve bearing													
4-pole, 690 V, 50 Hz													
1DK1082-0TC04-0FA2	180	240	45	190	2785	1815	1745	1450	-	-	800	1340	1200
1DK1082-0WC04-0FA2	190	280	45	200	2995	2015	1945	1650	-	-	800	1340	1200
1DK1082-1AC04-0FA2	190	280	45	210	3005	2015	1945	1650	-	-	800	1340	1200
1DK1082-1DC04-0FA2	190	280	45	210	3005	2015	1945	1650	-	-	800	1340	1200
6-pole, 690 V, 50 Hz													
1DK1080-0UC06-0FA2	190	280	45	200	2826	1815	1745	1450	-	-	831	1340	1200
1DK1082-1AC06-0FA2	190	280	45	210	3026	2015	1945	1650	-	-	831	1340	1200
1DK1082-1GC06-0FA2	190	280	50	221	3036	2015	1945	1650	-	-	831	1340	1200
1DK1102-0YC06-0FA2	220	280	50	227	3579	2390	2280	1935	-	-	934	1670	1520
1DK1102-1CC06-0FA2	230	330	50	247	3629	2390	2280	1935	-	-	984	1670	1520
1DK1102-1HC06-0FA2	240	330	56	247	3629	2390	2280	1935	-	-	984	1670	1520
1DK1102-1NC06-0FA2	250	330	56	260	3874	2635	2525	2180	-	-	984	1670	1520
Article No. (repeated)	Dimensions								Weight kg				
	HA mm	AA mm	H mm	HB mm	HD ₁ mm	AC ₁ mm	AD ₁ mm	Ø K mm					
4-pole, 690 V, 50 Hz													
1DK1082-0TC04-0FA2	45	150	560	1170	2127	720	720	48	7500				
1DK1082-0WC04-0FA2	45	150	560	1170	2127	720	720	48	8091				
1DK1082-1AC04-0FA2	45	150	560	1170	2127	720	720	48	8561				
1DK1082-1DC04-0FA2	45	150	560	1170	2127	720	720	48	8995				
6-pole, 690 V, 50 Hz													
1DK1080-0UC06-0FA2	45	150	560	1170	2127	720	720	48	7703				
1DK1082-1AC06-0FA2	45	150	560	1170	2127	720	720	48	8550				
1DK1082-1GC06-0FA2	45	150	560	1170	2127	720	720	48	9456				
1DK1102-0YC06-0FA2	45	170	630	1300	2300	855	950	48	12140				
1DK1102-1CC06-0FA2	45	170	630	1300	2300	855	950	48	12612				
1DK1102-1HC06-0FA2	45	170	630	1300	2300	855	950	48	13412				
1DK1102-1NC06-0FA2	45	170	630	1300	2300	855	950	48	14656				

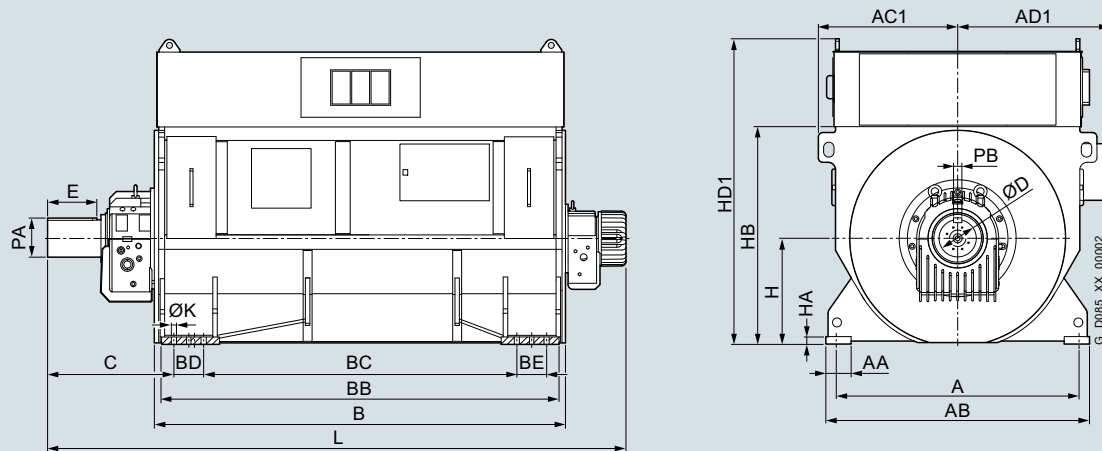
Dimensional drawings (continued)


Article No.	Dimensions												
	Ø D	E	PB	PA	L	B	BB	BC	BD	BE	C	AB	A
	mm	mm	mm	mm	mm	mm	mm	mm	mm	mm	mm	mm	mm
1DK1 (Z ventilation), sleeve bearing													
8-pole, 690 V, 50 Hz													
1DK1082-0TC08-0FA2	180	240	45	190	2816	1815	1745	1450	–	–	831	1340	1200
1DK1082-1AC08-0FA2	190	280	45	210	2836	1815	1745	1450	–	–	831	1340	1200
1DK1082-1EC08-0FA2	190	280	50	221	3036	2015	1945	1650	–	–	831	1340	1200
1DK1102-0WC08-0FA2	220	280	50	237	3579	2390	2280	1935	–	–	934	1670	1520
1DK1102-1DC08-0FA2	240	330	56	260	3629	2390	2280	1935	–	–	984	1670	1520
1DK1102-1JC08-0FA2	240	330	56	260	3629	2390	2280	1935	–	–	984	1670	1520
1DK1102-1PC08-0FA2	250	330	56	270	3874	2635	2525	2180	–	–	984	1670	1520
1DK1122-1FC08-0FA2	260	330	56	272	3505	2460	2370	1812	200	200	875	1770	1630
1DK1122-1PC08-0FA2	280	380	63	292	3845	2750	2660	2102	200	200	925	1770	1630

Article No. (repeated)	Dimensions								Weight
	HA	AA	H	HB	HD ₁	AC ₁	AD ₁	Ø K	
	mm	mm	mm	mm	mm	mm	mm	mm	kg
8-pole, 690 V, 50 Hz									
1DK1082-0TC08-0FA2	45	150	560	1170	2127	720	720	48	7514
1DK1082-1AC08-0FA2	45	150	560	1170	2127	720	720	48	8383
1DK1082-1EC08-0FA2	45	150	560	1170	2127	720	720	48	9083
1DK1102-0WC08-0FA2	45	170	630	1300	2300	855	950	48	11700
1DK1102-1DC08-0FA2	45	170	630	1300	2300	855	950	48	12735
1DK1102-1JC08-0FA2	45	170	630	1300	2300	855	950	48	13711
1DK1102-1PC08-0FA2	45	170	630	1300	2300	855	950	48	14844
1DK1122-1FC08-0FA2	50	170	710	1460	2270	940	1020	39	14964
1DK1122-1PC08-0FA2	50	170	710	1460	2270	940	1020	39	17336

Technical data

Industrial/Marine applications

IC01 cooling method**Dimensional drawings** (continued)

Article No.	Dimensions												
	Ø D mm	E mm	PB mm	PA mm	L mm	B mm	BB mm	BC mm	BD mm	BE mm	C mm	AB mm	A mm

1DK1 (Z ventilation), sleeve bearing

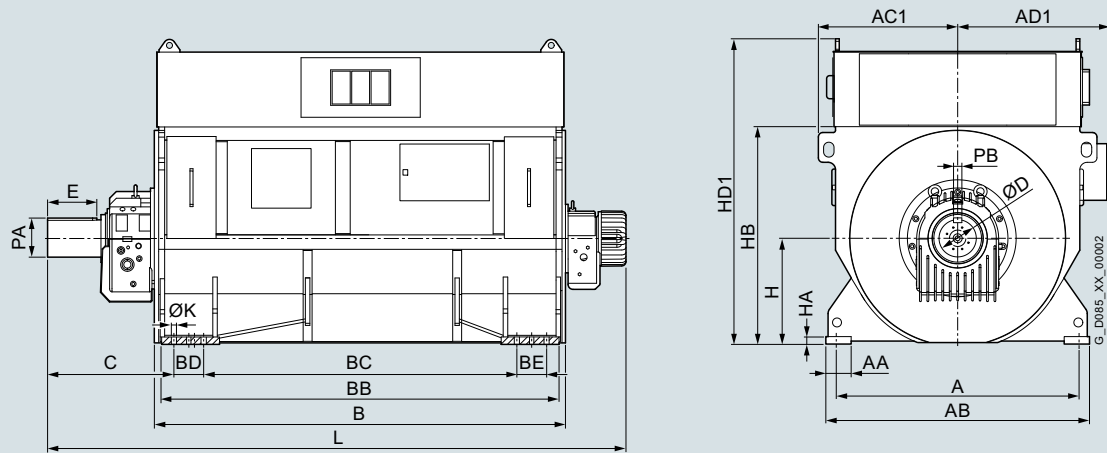
10-pole, 690 V, 50 Hz

1DK1082-0QC10-0FA2	180	240	45	190	2816	1815	1745	1450	-	-	831	1340	1200
1DK1082-0WC10-0FA2	190	280	45	200	3016	2015	1945	1650	-	-	831	1340	1200
1DK1082-1CC10-0FA2	190	280	45	210	3026	2015	1945	1650	-	-	831	1340	1200
1DK1102-0VC10-0FA2	220	280	50	227	3579	2390	2280	1935	-	-	934	1670	1520
1DK1102-0YC10-0FA2	230	330	50	247	3629	2390	2280	1935	-	-	984	1670	1520
1DK1102-1EC10-0FA2	240	330	56	260	3629	2390	2280	1935	-	-	984	1670	1520
1DK1102-1RC10-0FA2	250	330	56	270	3874	2635	2525	2180	-	-	984	1670	1520
1DK1122-1JC10-0FA2	260	330	56	272	3505	2460	2370	1812	200	200	875	1770	1630
1DK1122-1SC10-0FA2	280	380	63	292	3845	2750	2660	2102	200	200	925	1770	1630
1DK1122-1YC10-0FA2	280	380	63	292	4019	2924	2834	2276	200	200	925	1770	1630
1DK1142-1LC10-0FA2	310	380	70	324	3817	2586	2491	1696	400	365	1065	1970	1830

Article No. (repeated)	Dimensions								Weight kg
	HA mm	AA mm	H mm	HB mm	HD ₁ mm	AC ₁ mm	AD ₁ mm	Ø K mm	

10-pole, 690 V, 50 Hz

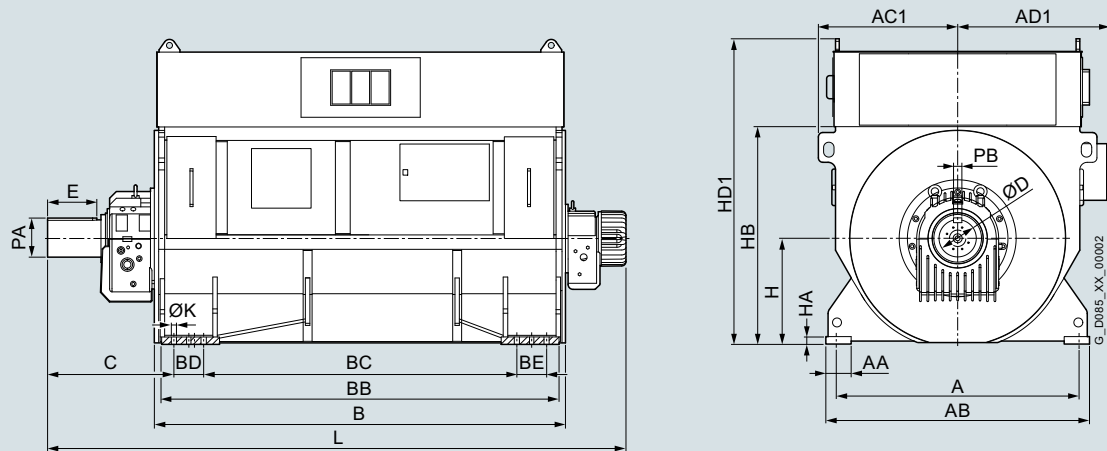
1DK1082-0QC10-0FA2	45	150	560	1170	2127	720	720	48	7090
1DK1082-0WC10-0FA2	45	150	560	1170	2127	720	720	48	8114
1DK1082-1CC10-0FA2	45	150	560	1170	2127	720	720	48	8836
1DK1102-0VC10-0FA2	45	170	630	1300	2300	855	950	48	11338
1DK1102-0YC10-0FA2	45	170	630	1300	2300	855	950	48	11798
1DK1102-1EC10-0FA2	45	170	630	1300	2300	855	950	48	12650
1DK1102-1RC10-0FA2	45	170	630	1300	2300	855	950	48	14805
1DK1122-1JC10-0FA2	50	170	710	1460	2270	940	1020	39	15982
1DK1122-1SC10-0FA2	50	170	710	1460	2270	940	1020	39	17899
1DK1122-1YC10-0FA2	50	170	710	1460	2270	940	1020	39	19654
1DK1142-1LC10-0FA2	60	200	800	1630	2330	1050	1825	39	23098

Dimensional drawings (continued)


Article No.	Dimensions												
	Ø D mm	E mm	PB mm	PA mm	L mm	B mm	BB mm	BC mm	BD mm	BE mm	C mm	AB mm	A mm
1DK1 (Z ventilation), sleeve bearing													
12-pole, 690 V, 50 Hz													
1DK1122-1AC12-0FA2	240	330	56	252	3505	2460	2370	1812	200	200	875	1770	1630
1DK1122-1DC12-0FA2	250	330	56	262	3505	2460	2370	1812	200	200	875	1770	1630
1DK1122-1GC12-0FA2	260	330	56	272	3505	2460	2370	1812	200	200	875	1770	1630
1DK1122-1MC12-0FA2	280	380	63	292	3845	2750	2660	2102	200	200	925	1770	1630
1DK1122-1VC12-0FA2	280	380	63	292	3845	2750	2660	2102	200	200	925	1770	1630
1DK1142-1JC12-0FA2	300	380	70	314	3817	2586	2491	1696	400	365	1065	1970	1830
1DK1142-1NC12-0FA2	320	380	70	334	3817	2586	2491	1696	400	365	1065	1970	1830
1DK1142-1XC12-0FA2	330	450	70	344	4351	3050	2955	2160	400	365	1135	1970	1830
14-pole, 690 V, 50 Hz													
1DK1142-1NC14-0FA2	300	380	70	314	3817	2586	2491	1696	400	365	1065	1970	1830
1DK1142-1XC14-0FA2	320	380	70	334	4281	3050	2955	2160	400	365	1065	1970	1830
Article No. (repeated)	Dimensions								Weight kg				
	HA mm	AA mm	H mm	HB mm	HD ₁ mm	AC ₁ mm	AD ₁ mm	Ø K mm					
12-pole, 690 V, 50 Hz													
1DK1122-1AC12-0FA2	50	170	710	1460	2270	940	1020	39	13717				
1DK1122-1DC12-0FA2	50	170	710	1460	2270	940	1020	39	14341				
1DK1122-1GC12-0FA2	50	170	710	1460	2270	940	1020	39	14994				
1DK1122-1MC12-0FA2	50	170	710	1460	2270	940	1020	39	16878				
1DK1122-1VC12-0FA2	50	170	710	1460	2270	940	1020	39	18387				
1DK1142-1JC12-0FA2	60	200	800	1630	2330	1050	1825	39	22838				
1DK1142-1NC12-0FA2	60	200	800	1630	2330	1050	1825	39	23770				
1DK1142-1XC12-0FA2	60	200	800	1630	2330	1050	1825	39	26909				
14-pole, 690 V, 50 Hz													
1DK1142-1NC14-0FA2	60	200	800	1630	2330	1050	1825	39	23856				
1DK1142-1XC14-0FA2	60	200	800	1630	2330	1050	1825	39	26890				

Technical data

Industrial/Marine applications

IC01 cooling method**Dimensional drawings**

Article No.	Dimensions												
	Ø D mm	E mm	PB mm	PA mm	L mm	B mm	BB mm	BC mm	BD mm	BE mm	C mm	AB mm	A mm

1DK1 (Z ventilation), sleeve bearing

4-pole, 690 V, 60 Hz

1DK1082-ORD04-0FA2	180	240	45	190	2785	1815	1745	1450	-	-	800	1340	1200
1DK1082-OTD04-0FA2	180	240	45	190	2785	1815	1745	1450	-	-	800	1340	1200
1DK1082-OWD04-0FA2	190	280	45	200	2995	2015	1945	1650	-	-	800	1340	1200
1DK1082-1AD04-0FA2	190	280	45	210	3005	2015	1945	1650	-	-	800	1340	1200

6-pole, 690 V, 60 Hz

1DK1080-0UD06-0FA2	190	280	45	200	2826	1815	1745	1450	-	-	831	1340	1200
1DK1082-1AD06-0FA2	190	280	45	210	3026	2015	1945	1650	-	-	831	1340	1200
1DK1082-1GD06-0FA2	190	280	50	221	3036	2015	1945	1650	-	-	831	1340	1200
1DK1102-0VD06-0FA2	210	280	50	227	3579	2390	2280	1935	-	-	934	1670	1520
1DK1102-0YD06-0FA2	220	280	50	237	3579	2390	2280	1935	-	-	934	1670	1520
1DK1102-1CD06-0FA2	230	330	50	247	3629	2390	2280	1935	-	-	984	1670	1520
1DK1102-1HD06-0FA2	240	330	56	260	3629	2390	2280	1935	-	-	984	1670	1520

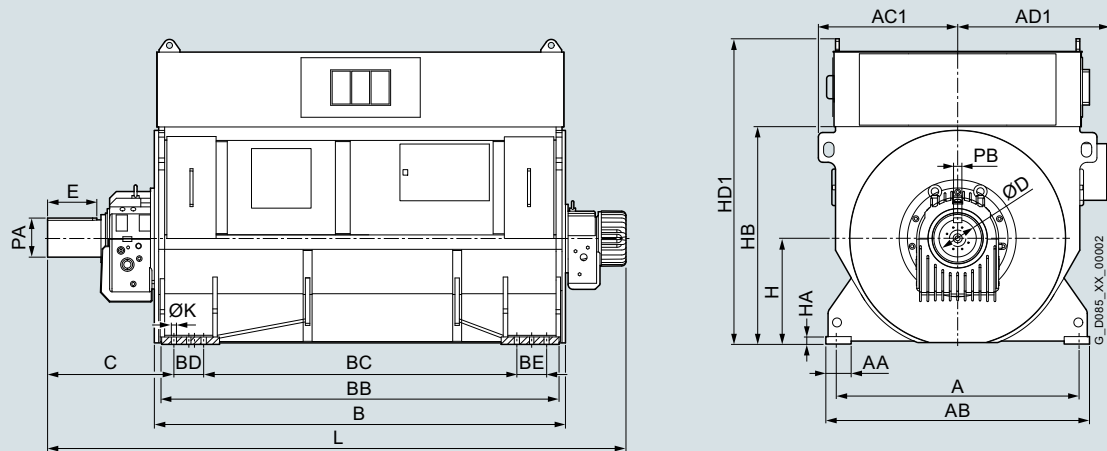
Article No. (repeated)	Dimensions								Weight kg
	HA mm	AA mm	H mm	HB mm	HD ₁ mm	AC ₁ mm	AD ₁ mm	Ø K mm	

4-pole, 690 V, 60 Hz

1DK1082-ORD04-0FA2	45	150	560	1170	2127	720	720	48	7217
1DK1082-OTD04-0FA2	45	150	560	1170	2127	720	720	48	7516
1DK1082-OWD04-0FA2	45	150	560	1170	2127	720	720	48	8152
1DK1082-1AD04-0FA2	45	150	560	1170	2127	720	720	48	8598

6-pole, 690 V, 60 Hz

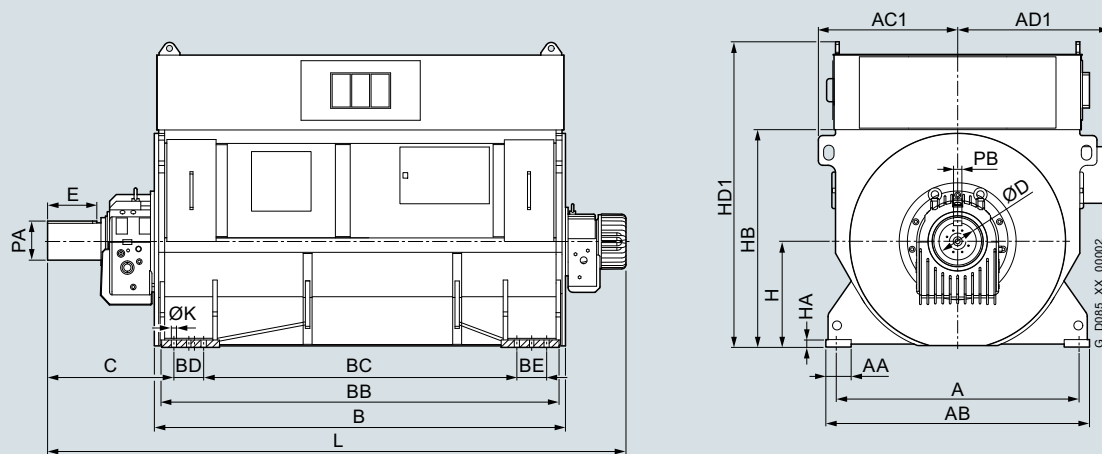
1DK1080-0UD06-0FA2	45	150	560	1170	2127	720	720	48	7663
1DK1082-1AD06-0FA2	45	150	560	1170	2127	720	720	48	8573
1DK1082-1GD06-0FA2	45	150	560	1170	2127	720	720	48	9332
1DK1102-0VD06-0FA2	45	170	630	1300	2300	855	950	48	11657
1DK1102-0YD06-0FA2	45	170	630	1300	2300	855	950	48	12151
1DK1102-1CD06-0FA2	45	170	630	1300	2300	855	950	48	12601
1DK1102-1HD06-0FA2	45	170	630	1300	2300	855	950	48	13476

Dimensional drawings (continued)


Article No.	Dimensions												
	Ø D mm	E mm	PB mm	PA mm	L mm	B mm	BB mm	BC mm	BD mm	BE mm	C mm	AB mm	A mm
1DK1 (Z ventilation), sleeve bearing													
8-pole, 690 V, 60 Hz													
1DK1082-OTD08-0FA2	190	280	45	200	2826	1815	1745	1450	–	–	831	1340	1200
1DK1082-1AD08-0FA2	190	280	45	210	2836	1815	1745	1450	–	–	831	1340	1200
1DK1082-1ED08-0FA2	190	280	50	221	3036	2015	1945	1650	–	–	831	1340	1200
1DK1102-0WD08-0FA2	220	280	50	237	3629	2390	2280	1935	–	–	934	1670	1520
1DK1102-1AD08-0FA2	240	330	56	260	3629	2390	2280	1935	–	–	984	1670	1520
1DK1102-1DD08-0FA2	240	330	56	260	3629	2390	2280	1935	–	–	984	1670	1520
1DK1102-1PD08-0FA2	250	330	56	270	3874	2635	2525	2180	–	–	984	1670	1520
1DK1122-1FD08-0FA2	260	330	56	272	3505	2460	2370	1812	200	200	885	1770	1630
Article No. (repeated)	Dimensions									Weight kg			
	HA mm	AA mm	H mm	HB mm	HD ₁ mm	AC ₁ mm	AD ₁ mm	Ø K mm					
8-pole, 690 V, 60 Hz													
1DK1082-OTD08-0FA2	45	150	560	1170	2127	720	720	48	7502				
1DK1082-1AD08-0FA2	45	150	560	1170	2127	720	720	48	8378				
1DK1082-1ED08-0FA2	45	150	560	1170	2127	720	720	48	9109				
1DK1102-0WD08-0FA2	45	170	630	1300	2300	855	950	48	11949				
1DK1102-1AD08-0FA2	45	170	630	1300	2300	855	950	48	12503				
1DK1102-1DD08-0FA2	45	170	630	1300	2300	855	950	48	13172				
1DK1102-1PD08-0FA2	45	170	630	1300	2300	855	950	48	14868				
1DK1122-1FD08-0FA2	50	170	710	1460	2270	940	1020	39	15068				

Technical data

Industrial/Marine applications

IC01 cooling method**Dimensional drawings** (continued)

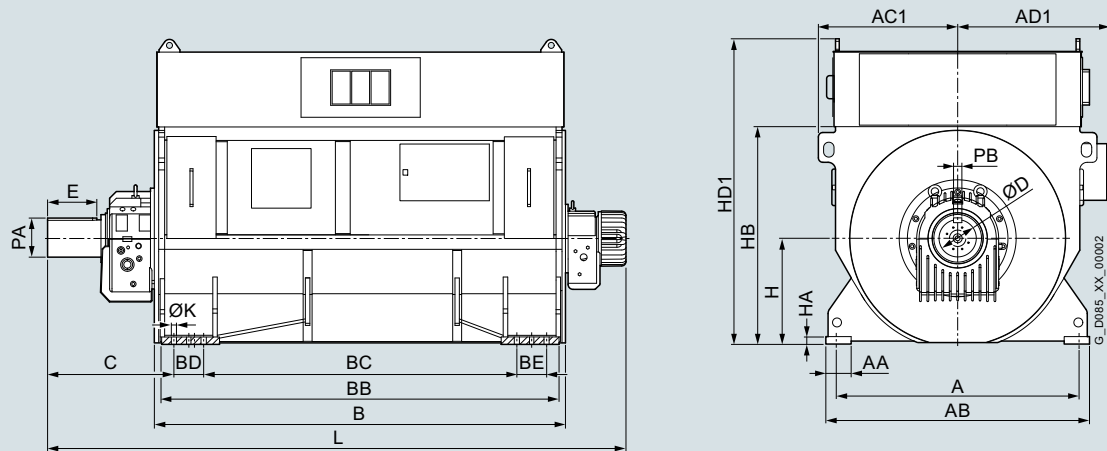
Article No.	Dimensions												
	Ø D mm	E mm	PB mm	PA mm	L mm	B mm	BB mm	BC mm	BD mm	BE mm	C mm	AB mm	A mm

1DK1 (Z ventilation), sleeve bearing

10-pole, 690 V, 60 Hz

1DK1082-0QD10-0FA2	180	240	45	190	2816	1815	1745	1450	-	-	831	1340	1200
1DK1082-0UD10-0FA2	190	280	45	200	2826	1815	1745	1450	-	-	831	1340	1200
1DK1082-0WD10-0FA2	190	280	45	200	3016	2015	1945	1650	-	-	831	1340	1200
1DK1082-1CD10-0FA2	190	280	50	221	3036	2015	1945	1650	-	-	831	1340	1200
1DK1102-0SD10-0FA2	210	280	50	227	3579	2390	2280	1935	-	-	934	1670	1520
1DK1102-0VD10-0FA2	230	330	50	227	3629	2390	2280	1935	-	-	984	1670	1520
1DK1102-0YD10-0FA2	240	330	50	237	3629	2390	2280	1935	-	-	984	1670	1520
1DK1102-1ED10-0FA2	240	330	50	247	3629	2390	2280	1935	-	-	984	1670	1520
1DK1102-1MD10-0FA2	260	330	56	260	3629	2390	2280	1935	-	-	984	1670	1520
1DK1122-1JD10-0FA2	260	330	56	272	3505	2460	2370	1812	200	200	875	1770	1630
1DK1122-1MD10-0FA2	280	380	63	292	3845	2750	2660	2102	200	200	925	1770	1630
1DK1122-1SD10-0FA2	280	380	63	292	3845	2750	2660	2102	200	200	925	1770	1630
1DK1142-1GD10-0FA2	300	380	70	314	3817	2586	2491	1696	400	365	1065	1970	1830

Article No. (repeated)	Dimensions								Weight kg
	HA mm	AA mm	H mm	HB mm	HD ₁ mm	AC ₁ mm	AD ₁ mm	Ø K mm	
10-pole, 690 V, 60 Hz									
1DK1082-0QD10-0FA2	45	150	560	1170	2127	720	720	48	7112
1DK1082-0UD10-0FA2	45	150	560	1170	2127	720	720	48	7632
1DK1082-0WD10-0FA2	45	150	560	1170	2127	720	720	48	8143
1DK1082-1CD10-0FA2	45	150	560	1170	2127	720	720	48	8807
1DK1102-0SD10-0FA2	45	170	630	1300	2300	855	950	48	10833
1DK1102-0VD10-0FA2	45	170	630	1300	2300	855	950	48	11377
1DK1102-0YD10-0FA2	45	170	630	1300	2300	855	950	48	11803
1DK1102-1ED10-0FA2	45	170	630	1300	2300	855	950	48	12680
1DK1102-1MD10-0FA2	45	170	630	1300	2300	855	950	48	13757
1DK1122-1JD10-0FA2	50	170	710	1460	2270	940	1020	39	15983
1DK1122-1MD10-0FA2	50	170	710	1460	2270	940	1020	39	16953
1DK1122-1SD10-0FA2	50	170	710	1460	2270	940	1020	39	18016
1DK1142-1GD10-0FA2	60	200	800	1630	2330	1050	1825	39	22086

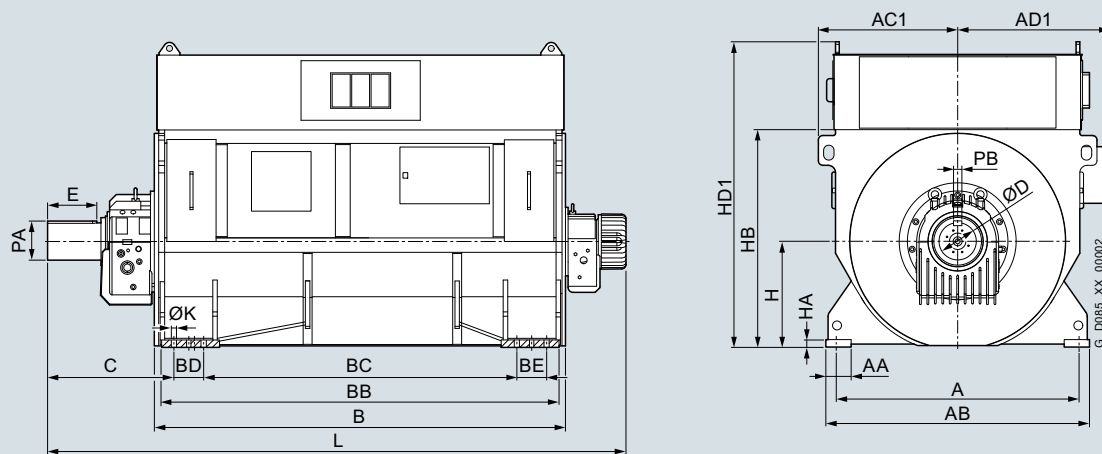
Dimensional drawings (continued)


Article No.	Dimensions												
	Ø D mm	E mm	PB mm	PA mm	L mm	B mm	BB mm	BC mm	BD mm	BE mm	C mm	AB mm	A mm
1DK1 (Z ventilation), sleeve bearing													
12-pole, 690 V, 60 Hz													
1DK1122-1AD12-0FA2	250	330	56	262	3505	2460	2370	1812	200	200	875	1770	1630
1DK1122-1DD12-0FA2	250	330	56	262	3505	2460	2370	1812	200	200	875	1770	1630
1DK1122-1GD12-0FA2	260	330	56	272	3505	2460	2370	1812	200	200	875	1770	1630
1DK1122-1MD12-0FA2	280	380	63	292	3845	2750	2660	2102	200	200	925	1770	1630
1DK1122-1RD12-0FA2	280	380	63	292	3845	2750	2660	2102	200	200	925	1770	1630
1DK1122-1VD12-0FA2	280	380	63	292	3845	2750	2660	2102	200	200	925	1770	1630
1DK1142-1ND12-0FA2	320	380	70	334	3817	2586	2491	1696	400	365	1065	1970	1830
Article No. (repeated)	Dimensions								Weight kg				
	HA mm	AA mm	H mm	HB mm	HD ₁ mm	AC ₁ mm	AD ₁ mm	Ø K mm					
12-pole, 690 V, 60 Hz													
1DK1122-1AD12-0FA2	50	170	710	1460	2270	940	1020	39	14063				
1DK1122-1DD12-0FA2	50	170	710	1460	2270	940	1020	39	14698				
1DK1122-1GD12-0FA2	50	170	710	1460	2270	940	1020	39	15320				
1DK1122-1MD12-0FA2	50	170	710	1460	2270	940	1020	39	16789				
1DK1122-1RD12-0FA2	50	170	710	1460	2270	940	1020	39	17641				
1DK1122-1VD12-0FA2	50	170	710	1460	2270	940	1020	39	18354				
1DK1142-1ND12-0FA2	60	200	800	1630	2330	1050	1825	39	23768				

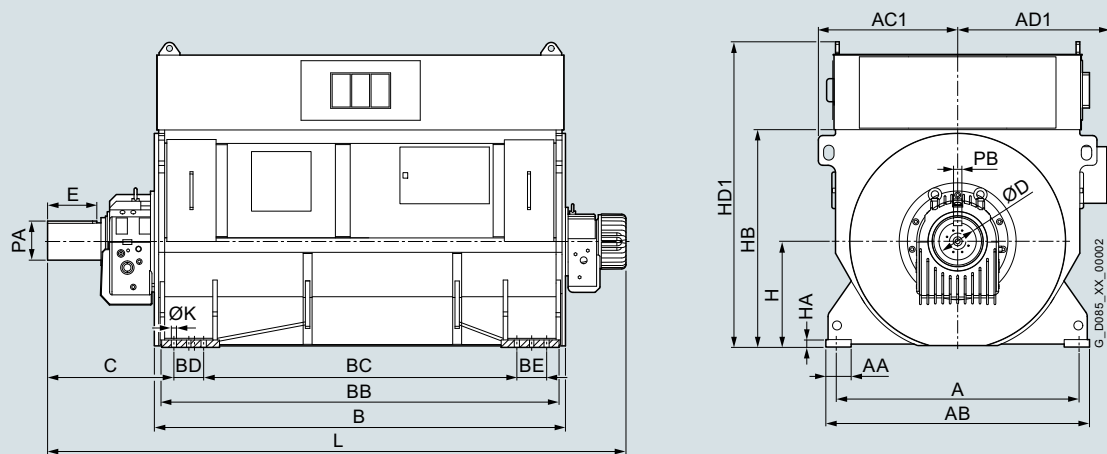
Technical data

Industrial/Marine applications

IC01 cooling method

Dimensional drawings (continued)

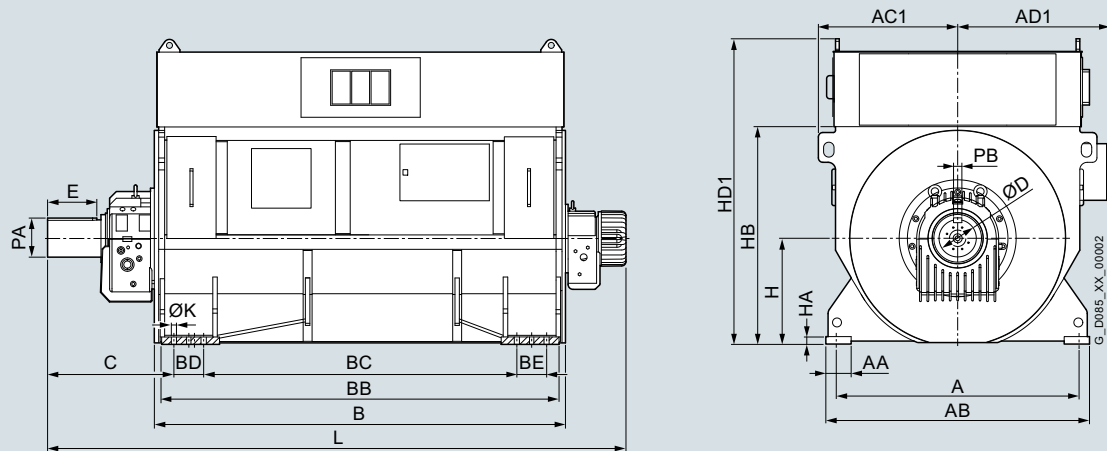
Article No.	Dimensions												
	Ø D mm	E mm	PB mm	PA mm	L mm	B mm	BB mm	BC mm	BD mm	BE mm	C mm	AB mm	A mm
1DK1 (Z ventilation), sleeve bearing													
14-pole, 690 V, 60 Hz													
1DK1122-1DD14-0FA2	230	330	50	241	3505	2460	2370	1812	200	200	875	1770	1630
1DK1122-1JD14-0FA2	240	330	56	252	3505	2460	2370	1812	200	200	875	1770	1630
1DK1122-1RD14-0FA2	240	330	56	252	3795	2750	2660	2102	200	200	875	1770	1630
1DK1142-1GD14-0FA2	290	380	63	302	3817	2586	2491	1696	400	365	1065	1970	1830
1DK1142-1ND14-0FA2	300	380	70	314	3817	2586	2491	1696	400	365	1065	1970	1830
1DK1142-1XD14-0FA2	330	450	70	344	3887	2586	2491	1696	400	365	1135	1970	1830
Article No. (repeated)	Dimensions								Weight				
	HA mm	AA mm	H mm	HB mm	HD ₁ mm	AC ₁ mm	AD ₁ mm	Ø K mm	kg				
14-pole, 690 V, 60 Hz													
1DK1122-1DD14-0FA2	50	170	710	1460	2270	940	1020	39	14266				
1DK1122-1JD14-0FA2	50	170	710	1460	2270	940	1020	39	15284				
1DK1122-1RD14-0FA2	50	170	710	1460	2270	940	1020	39	17390				
1DK1142-1GD14-0FA2	60	200	800	1630	2330	1050	1825	39	22341				
1DK1142-1ND14-0FA2	60	200	800	1630	2330	1050	1825	39	23791				
1DK1142-1XD14-0FA2	60	200	800	1630	2330	1050	1825	39	26034				

Dimensional drawings


Article No.	Dimensions												A
	Ø D	E	PB	PA	L	B	BB	BC	BD	BE	C	AB	
	mm	mm	mm	mm	mm	mm	mm	mm	mm	mm	mm	mm	mm
1DK1 (Z ventilation), sleeve bearing													
4-pole, 3.3 kV, 50 Hz													
1DK1082-0TE04-0FA2	180	240	45	190	2785	1815	1745	1450	–	–	800	1340	1200
1DK1082-0WE04-0FA2	180	240	45	190	2985	2015	1945	1650	–	–	800	1340	1200
1DK1082-1AE04-0FA2	190	280	45	200	2995	2015	1945	1650	–	–	800	1340	1200
1DK1082-1DE04-0FA2	190	280	45	210	3005	2015	1945	1650	–	–	800	1340	1200
Article No. (repeated)	Dimensions								Weight				
	HA	AA	H	HB	HD ₁	AC ₁	AD ₁	Ø K		kg			
	mm	mm	mm	mm	mm	mm	mm	mm					
4-pole, 3.3 kV, 50 Hz													
1DK1082-0TE04-0FA2	45	150	560	1170	2127	720	720	48	7383				
1DK1082-0WE04-0FA2	45	150	560	1170	2127	720	720	48	7978				
1DK1082-1AE04-0FA2	45	150	560	1170	2127	720	720	48	8421				
1DK1082-1DE04-0FA2	45	150	560	1170	2127	720	720	48	8841				

Technical data

Industrial/Marine applications

IC01 cooling method**Dimensional drawings** (continued)

Article No.	Dimensions												
	Ø D	E	PB	PA	L	B	BB	BC	BD	BE	C	AB	A
	mm	mm	mm	mm	mm	mm	mm	mm	mm	mm	mm	mm	mm

1DK1 (Z ventilation), sleeve bearing

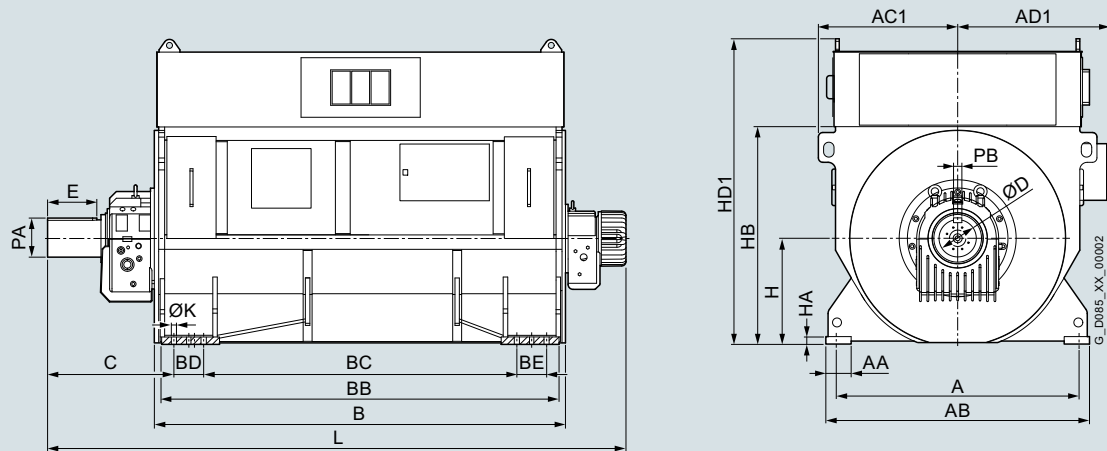
6-pole, 3.3 kV, 50 Hz

1DK1082-0UE06-0FA2	180	240	45	190	2816	1815	1745	1450	–	–	831	1340	1200
1DK1082-1AE06-0FA2	190	280	45	200	2826	1815	1745	1450	–	–	831	1340	1200
1DK1082-1GE06-0FA2	190	280	45	210	3026	2015	1945	1650	–	–	831	1340	1200
1DK1102-0VE06-0FA2	210	280	50	227	3579	2390	2280	1935	–	–	934	1670	1520
1DK1102-0YE06-0FA2	210	280	50	227	3579	2390	2280	1935	–	–	934	1670	1520
1DK1102-1CE06-0FA2	230	330	50	247	3629	2390	2280	1935	–	–	984	1670	1520
1DK1102-1HE06-0FA2	240	330	56	247	3629	2390	2280	1935	–	–	984	1670	1520
1DK1102-1NE06-0FA2	240	330	56	260	3874	2635	2525	2180	–	–	984	1670	1520

Article No. (repeated)	Dimensions								Weight
	HA	AA	H	HB	HD ₁	AC ₁	AD ₁	Ø K	
	mm	mm	mm	mm	mm	mm	mm	mm	kg

6-pole, 3.3 kV, 50 Hz

1DK1082-0UE06-0FA2	45	150	560	1170	2127	720	720	48	7522
1DK1082-1AE06-0FA2	45	150	560	1170	2127	720	720	48	8186
1DK1082-1GE06-0FA2	45	150	560	1170	2127	720	720	48	9258
1DK1102-0VE06-0FA2	45	170	630	1300	2300	855	950	48	11522
1DK1102-0YE06-0FA2	45	170	630	1300	2300	855	950	48	11991
1DK1102-1CE06-0FA2	45	170	630	1300	2300	855	950	48	12487
1DK1102-1HE06-0FA2	45	170	630	1300	2300	855	950	48	13305
1DK1102-1NE06-0FA2	45	170	630	1300	2300	855	950	48	14499

Dimensional drawings (continued)


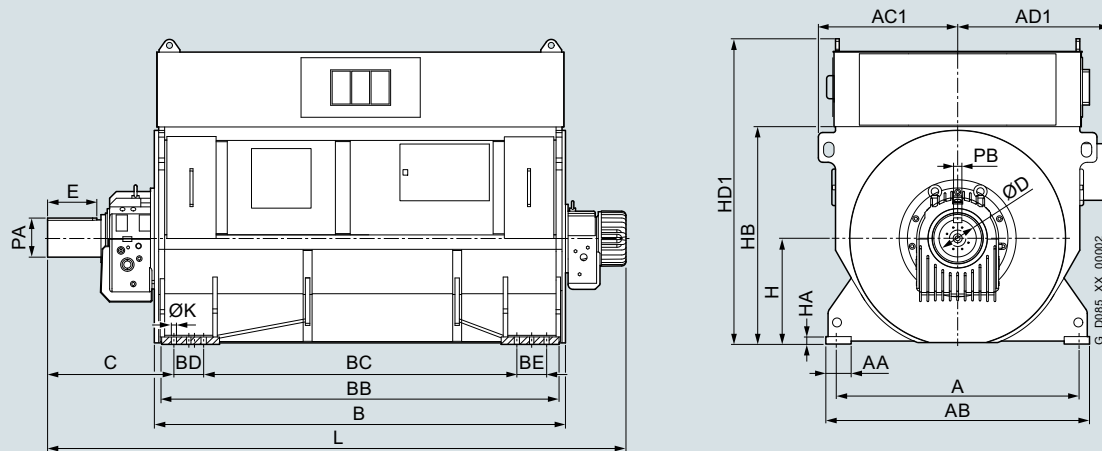
Article No.	Dimensions												
	Ø D	E	PB	PA	L	B	BB	BC	BD	BE	C	AB	A
	mm	mm	mm	mm	mm	mm	mm	mm	mm	mm	mm	mm	mm
1DK1 (Z ventilation), sleeve bearing													
6-pole, 3.3 kV, 50 Hz (continued)													
1DK1122-1DE06-0FA2	250	330	56	262	3505	2460	2370	1812	200	200	885	1770	1630
1DK1122-1KE06-0FA2	280	380	63	292	3845	2750	2660	2102	200	200	935	1770	1630
1DK1122-1TE06-0FA2	280	380	63	292	4019	2924	2834	2276	200	200	935	1770	1630
1DK1122-1WE06-0FA2	280	380	63	292	4019	2924	2834	2276	200	200	935	1770	1630
1DK1142-1KE06-0FA2	320	380	70	334	3817	2586	2491	1696	400	365	1065	1970	1830
1DK1142-1PE06-0FA2	330	450	70	344	4119	2818	2723	1928	400	365	1135	1970	1830
1DK1142-1VE06-0FA2	340	450	80	355	4119	2818	2723	1928	400	365	1135	1970	1830
1DK1142-2BE06-0FA2	340	450	80	355	4351	3050	2955	2160	400	365	1135	1970	1830
Article No. (repeated)	Dimensions								Weight				
	HA	AA	H	HB	HD ₁	AC ₁	AD ₁	Ø K		kg			
	mm	mm	mm	mm	mm	mm	mm	mm					
6-pole, 3.3 kV, 50 Hz													
1DK1122-1DE06-0FA2	50	170	710	1460	2270	940	1020	39	14808				
1DK1122-1KE06-0FA2	50	170	710	1460	2270	940	1020	39	16657				
1DK1122-1TE06-0FA2	50	170	710	1460	2270	940	1020	39	18781				
1DK1122-1WE06-0FA2	50	170	710	1460	2270	940	1020	39	19477				
1DK1142-1KE06-0FA2	60	200	800	1630	2330	1050	1825	39	22990				
1DK1142-1PE06-0FA2	60	200	800	1630	2330	1050	1825	39	24574				
1DK1142-1VE06-0FA2	60	200	800	1630	2330	1050	1825	39	26167				
1DK1142-2BE06-0FA2	60	200	800	1630	2330	1050	1825	39	27849				

Technical data

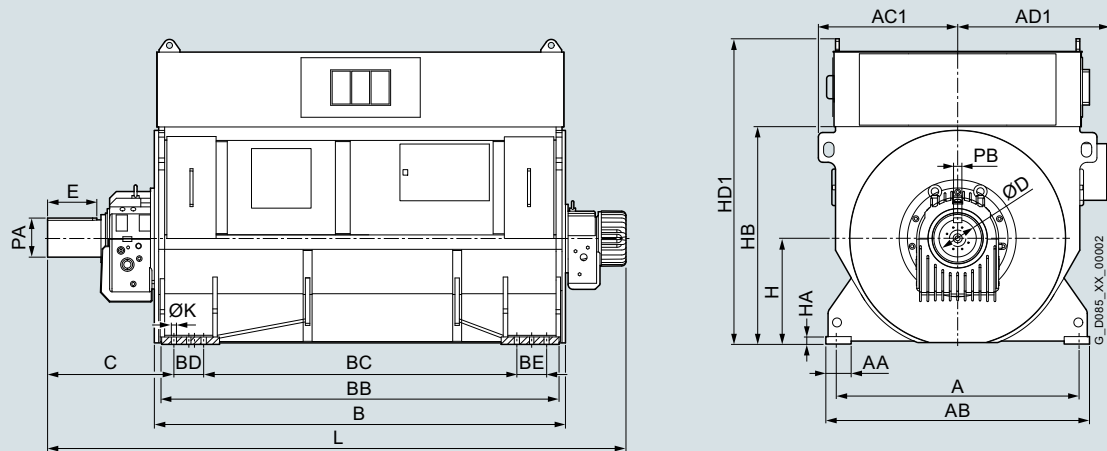
Industrial/Marine applications

IC01 cooling method

Dimensional drawings (continued)



Article No.	Dimensions												
	Ø D mm	E mm	PB mm	PA mm	L mm	B mm	BB mm	BC mm	BD mm	BE mm	C mm	AB mm	A mm
1DK1 (Z ventilation), sleeve bearing													
8-pole, 3.3 kV, 50 Hz													
1DK1082-0TE08-0FA2	180	240	45	190	2816	1815	1745	1450	–	–	831	1340	1200
1DK1082-1AE08-0FA2	190	280	45	200	2826	1815	1745	1450	–	–	831	1340	1200
1DK1082-1EE08-0FA2	190	280	45	210	3026	2015	1945	1650	–	–	831	1340	1200
1DK1102-0TE08-0FA2	210	280	50	227	3579	2390	2280	1935	–	–	934	1670	1520
1DK1102-0WE08-0FA2	210	280	50	227	3579	2390	2280	1935	–	–	934	1670	1520
1DK1102-1AE08-0FA2	230	330	50	247	3629	2390	2280	1935	–	–	984	1670	1520
1DK1102-1DE08-0FA2	230	330	50	247	3629	2390	2280	1935	–	–	984	1670	1520
1DK1102-1JE08-0FA2	240	330	56	260	3629	2390	2280	1935	–	–	984	1670	1520
1DK1102-1PE08-0FA2	240	330	56	260	3874	2635	2525	2180	–	–	984	1670	1520
Article No. (repeated)	Dimensions								Weight kg				
	HA mm	AA mm	H mm	HB mm	HD ₁ mm	AC ₁ mm	AD ₁ mm	Ø K mm					
8-pole, 3.3 kV, 50 Hz													
1DK1082-0TE08-0FA2	45	150	560	1170	2127	720	720	48	7407				
1DK1082-1AE08-0FA2	45	150	560	1170	2127	720	720	48	8279				
1DK1082-1EE08-0FA2	45	150	560	1170	2127	720	720	48	8971				
1DK1102-0TE08-0FA2	45	170	630	1300	2300	855	950	48	11078				
1DK1102-0WE08-0FA2	45	170	630	1300	2300	855	950	48	11576				
1DK1102-1AE08-0FA2	45	170	630	1300	2300	855	950	48	12120				
1DK1102-1DE08-0FA2	45	170	630	1300	2300	855	950	48	12632				
1DK1102-1JE08-0FA2	45	170	630	1300	2300	855	950	48	13498				
1DK1102-1PE08-0FA2	45	170	630	1300	2300	855	950	48	14681				

Dimensional drawings (continued)


Article No.	Dimensions												
	Ø D	E	PB	PA	L	B	BB	BC	BD	BE	C	AB	A
	mm	mm	mm	mm	mm	mm	mm	mm	mm	mm	mm	mm	mm

1DK1 (Z ventilation), sleeve bearing

8-pole, 3.3 kV, 50 Hz (continued)

1DK1122-1FE08-0FA2	260	330	56	272	3505	2460	2370	1812	200	200	875	1770	1630
1DK1122-1JE08-0FA2	270	380	63	282	3845	2750	2660	2102	200	200	925	1770	1630
1DK1122-1PE08-0FA2	280	380	63	292	3845	2750	2660	2102	200	200	925	1770	1630
1DK1122-1VE08-0FA2	280	380	63	292	4019	2924	2834	2276	200	200	925	1770	1630
1DK1122-2CE08-0FA2	280	380	63	292	4019	2924	2834	2276	200	200	925	1770	1630
1DK1142-1JE08-0FA2	320	380	70	334	3817	2586	2491	1696	400	365	1065	1970	1830
1DK1142-1LE08-0FA2	330	450	70	344	3887	2586	2491	1696	400	365	1135	1970	1830
1DK1142-1PE08-0FA2	330	450	70	344	4119	2818	2723	1928	400	365	1135	1970	1830
1DK1142-1TE08-0FA2	330	450	70	344	4119	2818	2723	1928	400	365	1135	1970	1830
1DK1142-1XE08-0FA2	340	450	80	355	4351	3050	2955	2160	400	365	1135	1970	1830
1DK1142-2EE08-0FA2	350	450	80	365	4351	3050	2955	2160	400	365	1135	1970	1830

Article No. (repeated)	Dimensions								Weight
	HA	AA	H	HB	HD ₁	AC ₁	AD ₁	Ø K	
	mm	mm	mm	mm	mm	mm	mm	mm	kg

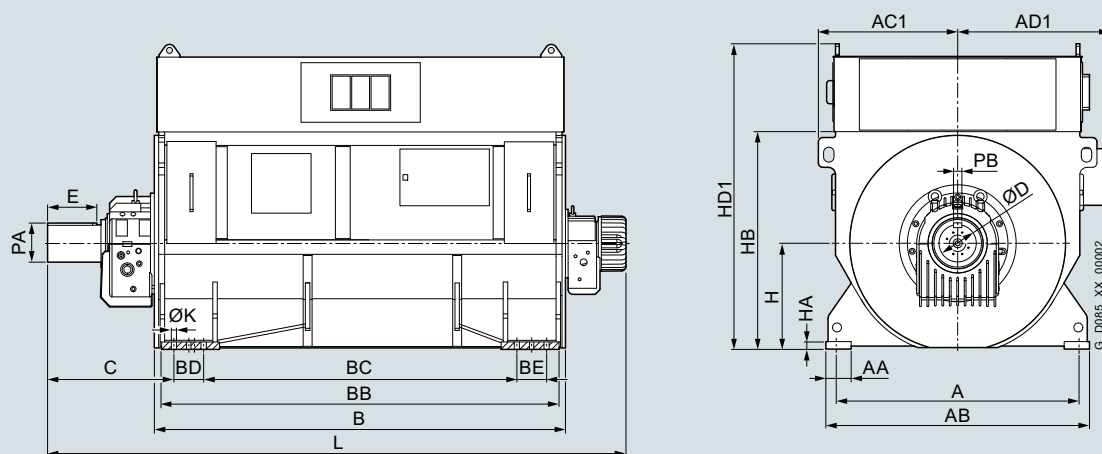
8-pole, 3.3 kV, 50 Hz

1DK1122-1FE08-0FA2	50	170	710	1460	2270	940	1020	39	14964
1DK1122-1JE08-0FA2	50	170	710	1460	2270	940	1020	39	16207
1DK1122-1PE08-0FA2	50	170	710	1460	2270	940	1020	39	17336
1DK1122-1VE08-0FA2	50	170	710	1460	2270	940	1020	39	18921
1DK1122-2CE08-0FA2	50	170	710	1460	2270	940	1020	39	20329
1DK1142-1JE08-0FA2	60	200	800	1630	2330	1050	1825	39	22435
1DK1142-1LE08-0FA2	60	200	800	1630	2330	1050	1825	39	22991
1DK1142-1PE08-0FA2	60	200	800	1630	2330	1050	1825	39	24389
1DK1142-1TE08-0FA2	60	200	800	1630	2330	1050	1825	39	25335
1DK1142-1XE08-0FA2	60	200	800	1630	2330	1050	1825	39	26788
1DK1142-2EE08-0FA2	60	200	800	1630	2330	1050	1825	39	28335

Technical data

Industrial/Marine applications

IC01 cooling method

Dimensional drawings (continued)

Article No.	Dimensions												
	Ø D	E	PB	PA	L	B	BB	BC	BD	BE	C	AB	A
	mm	mm	mm	mm	mm	mm	mm	mm	mm	mm	mm	mm	mm

1DK1 (Z ventilation), sleeve bearing

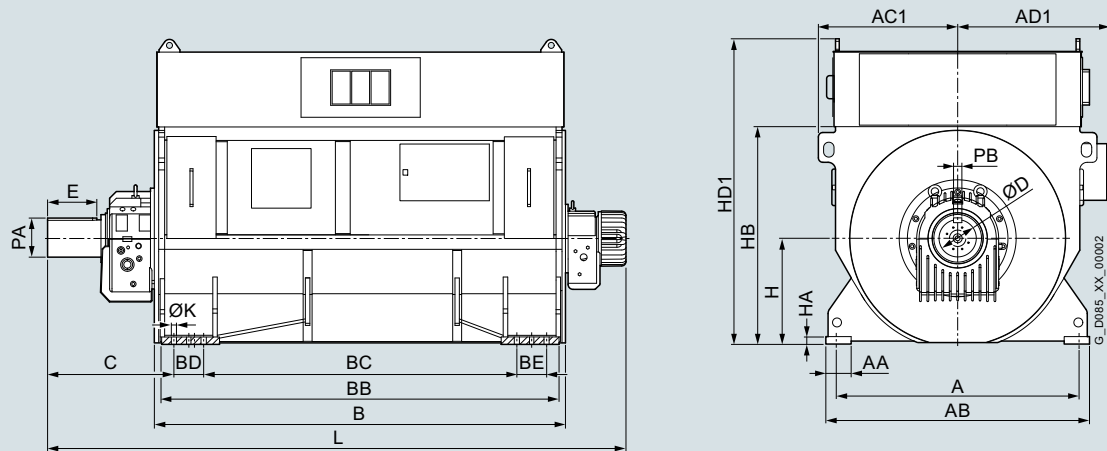
10-pole, 3.3 kV, 50 Hz

1DK1102-0SE10-0FA2	210	280	50	227	3579	2390	2280	1935	-	-	934	1670	1520
1DK1102-0VE10-0FA2	210	280	50	227	3579	2390	2280	1935	-	-	934	1670	1520
1DK1102-0YE10-0FA2	220	280	50	237	3579	2390	2280	1935	-	-	934	1670	1520
1DK1102-1EE10-0FA2	230	330	50	247	3629	2390	2280	1935	-	-	984	1670	1520
1DK1102-1ME10-0FA2	240	330	56	260	3629	2390	2280	1935	-	-	984	1670	1520
1DK1102-1RE10-0FA2	250	330	56	260	3874	2635	2525	2180	-	-	984	1670	1520

Article No. (repeated)	Dimensions									Weight
	HA	AA	H	HB	HD ₁	AC ₁	AD ₁	Ø K	kg	
	mm	mm	mm	mm	mm	mm	mm	mm	mm	kg

10-pole, 3.3 kV, 50 Hz

1DK1102-0SE10-0FA2	45	170	630	1300	2300	855	950	48	10683
1DK1102-0VE10-0FA2	45	170	630	1300	2300	855	950	48	11192
1DK1102-0YE10-0FA2	45	170	630	1300	2300	855	950	48	11681
1DK1102-1EE10-0FA2	45	170	630	1300	2300	855	950	48	12497
1DK1102-1ME10-0FA2	45	170	630	1300	2300	855	950	48	13565
1DK1102-1RE10-0FA2	45	170	630	1300	2300	855	950	48	14643

Dimensional drawings (continued)


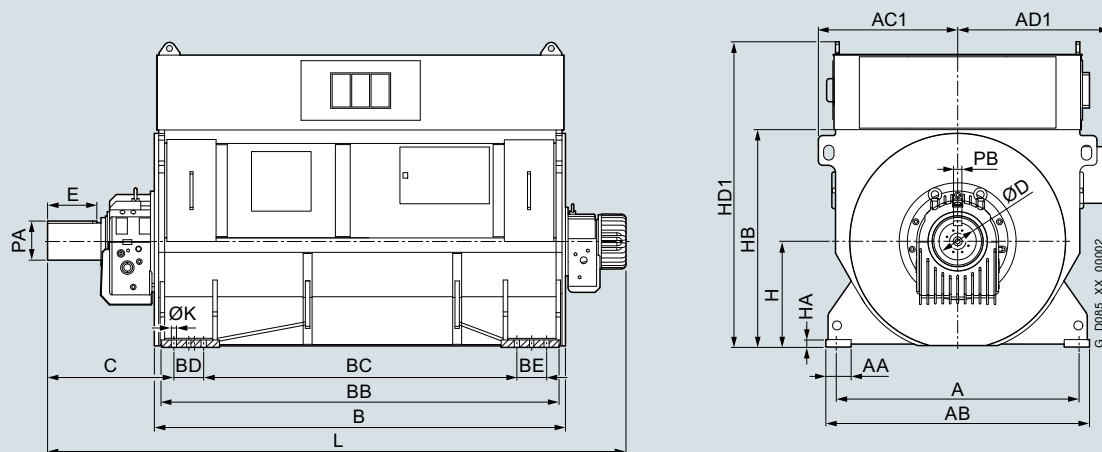
Article No.	Dimensions												
	Ø D	E	PB	PA	L	B	BB	BC	BD	BE	C	AB	A
	mm	mm	mm	mm	mm	mm	mm	mm	mm	mm	mm	mm	mm
1DK1 (Z ventilation), sleeve bearing													
10-pole, 3.3 kV, 50 Hz (continued)													
1DK1122-1JE10-0FA2	260	330	56	272	3505	2460	2370	1812	200	200	875	1770	1630
1DK1122-1ME10-0FA2	280	380	63	292	3845	2750	2660	2102	200	200	925	1770	1630
1DK1122-1SE10-0FA2	280	380	63	292	3845	2750	2660	2102	200	200	925	1770	1630
1DK1122-1YE10-0FA2	280	380	63	292	4019	2924	2834	2276	200	200	925	1770	1630
1DK1142-1LE10-0FA2	310	380	70	324	3817	2586	2491	1696	400	365	1065	1970	1830
1DK1142-1TE10-0FA2	330	450	70	344	4119	2818	2723	1928	400	365	1135	1970	1830
1DK1142-1XE10-0FA2	340	450	80	355	4351	3050	2955	2160	400	365	1135	1970	1830
1DK1142-2EE10-0FA2	340	450	80	355	4351	3050	2955	2160	400	365	1135	1970	1830

Article No. (repeated)	Dimensions								Weight
	HA	AA	H	HB	HD ₁	AC ₁	AD ₁	Ø K	
	mm	mm	mm	mm	mm	mm	mm	mm	kg
10-pole, 3.3 kV, 50 Hz									
1DK1122-1JE10-0FA2	50	170	710	1460	2270	940	1020	39	15982
1DK1122-1ME10-0FA2	50	170	710	1460	2270	940	1020	39	16783
1DK1122-1SE10-0FA2	50	170	710	1460	2270	940	1020	39	17899
1DK1122-1YE10-0FA2	50	170	710	1460	2270	940	1020	39	19654
1DK1142-1LE10-0FA2	60	200	800	1630	2330	1050	1825	39	23098
1DK1142-1TE10-0FA2	60	200	800	1630	2330	1050	1825	39	25101
1DK1142-1XE10-0FA2	60	200	800	1630	2330	1050	1825	39	26776
1DK1142-2EE10-0FA2	60	200	800	1630	2330	1050	1825	39	28168

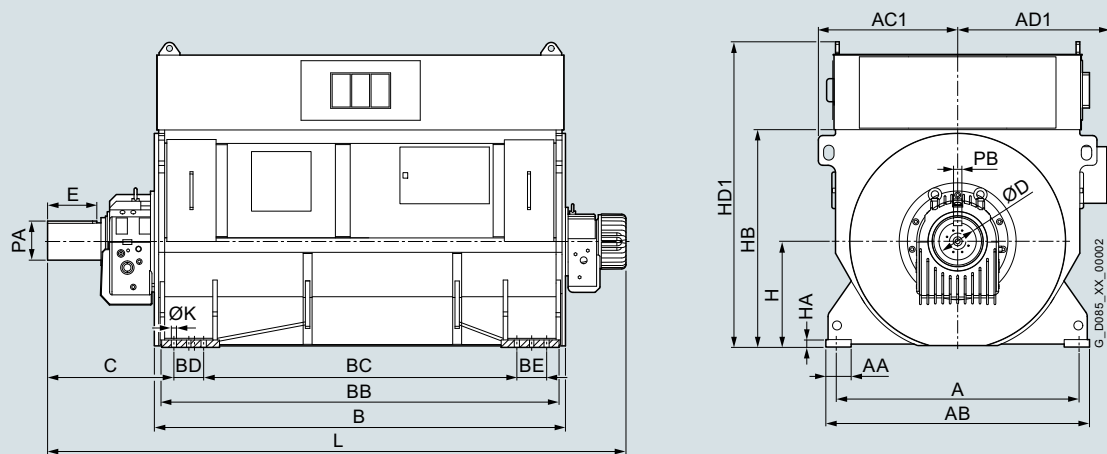
Technical data

Industrial/Marine applications

IC01 cooling method

Dimensional drawings (continued)

Article No.	Dimensions												
	Ø D mm	E mm	PB mm	PA mm	L mm	B mm	BB mm	BC mm	BD mm	BE mm	C mm	AB mm	A mm
1DK1 (Z ventilation), sleeve bearing													
12-pole, 3.3 kV, 50 Hz													
1DK1122-1AE12-0FA2	240	330	56	252	3505	2460	2370	1812	200	200	875	1770	1630
1DK1122-1DE12-0FA2	250	330	56	262	3505	2460	2370	1812	200	200	875	1770	1630
1DK1122-1GE12-0FA2	260	330	56	272	3505	2460	2370	1812	200	200	875	1770	1630
1DK1122-1RE12-0FA2	280	380	63	292	3845	2750	2660	2102	200	200	925	1770	1630
1DK1122-1VE12-0FA2	280	380	63	292	3845	2750	2660	2102	200	200	925	1770	1630
1DK1142-1JE12-0FA2	300	380	70	314	3817	2586	2491	1696	400	365	1065	1970	1830
1DK1142-1NE12-0FA2	320	380	70	334	3817	2586	2491	1696	400	365	1065	1970	1830
1DK1142-1SE12-0FA2	330	450	70	344	4119	2818	2723	1928	400	365	1135	1970	1830
1DK1142-1XE12-0FA2	330	450	70	344	4351	3050	2955	2160	400	365	1135	1970	1830
Article No. (repeated)	Dimensions								Weight kg				
	HA mm	AA mm	H mm	HB mm	HD ₁ mm	AC ₁ mm	AD ₁ mm	Ø K mm					
12-pole, 3.3 kV, 50 Hz													
1DK1122-1AE12-0FA2	50	170	710	1460	2270	940	1020	39	13717				
1DK1122-1DE12-0FA2	50	170	710	1460	2270	940	1020	39	14341				
1DK1122-1GE12-0FA2	50	170	710	1460	2270	940	1020	39	14994				
1DK1122-1RE12-0FA2	50	170	710	1460	2270	940	1020	39	17604				
1DK1122-1VE12-0FA2	50	170	710	1460	2270	940	1020	39	18387				
1DK1142-1JE12-0FA2	60	200	800	1630	2330	1050	1825	39	22838				
1DK1142-1NE12-0FA2	60	200	800	1630	2330	1050	1825	39	23770				
1DK1142-1SE12-0FA2	60	200	800	1630	2330	1050	1825	39	25187				
1DK1142-1XE12-0FA2	60	200	800	1630	2330	1050	1825	39	26909				

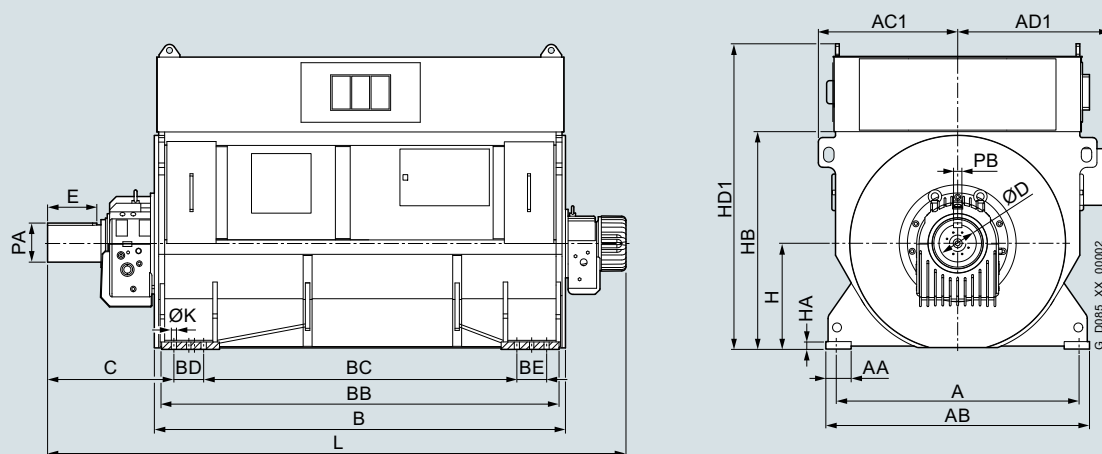
Dimensional drawings (continued)


Article No.	Dimensions												
	Ø D mm	E mm	PB mm	PA mm	L mm	B mm	BB mm	BC mm	BD mm	BE mm	C mm	AB mm	A mm
1DK1 (Z ventilation), sleeve bearing													
14-pole, 3.3 kV, 50 Hz													
1DK1142-1GE14-0FA2	290	380	63	302	3817	2586	2491	1696	400	365	1065	1970	1830
1DK1142-1NE14-0FA2	300	380	70	314	3817	2586	2491	1696	400	365	1065	1970	1830
1DK1142-1XE14-0FA2	320	380	70	334	4281	3050	2955	2160	400	365	1065	1970	1830
1DK1142-2CE14-0FA2	330	450	70	344	4351	3050	2955	2160	400	365	1135	1970	1830
Article No. (repeated)	Dimensions									Weight kg			
	HA mm	AA mm	H mm	HB mm	HD ₁ mm	AC ₁ mm	AD ₁ mm	Ø K mm					
14-pole, 3.3 kV, 50 Hz													
1DK1142-1GE14-0FA2	60	200	800	1630	2330	1050	1825	39	22257				
1DK1142-1NE14-0FA2	60	200	800	1630	2330	1050	1825	39	23856				
1DK1142-1XE14-0FA2	60	200	800	1630	2330	1050	1825	39	26890				
1DK1142-2CE14-0FA2	60	200	800	1630	2330	1050	1825	39	27898				

Technical data

Industrial/Marine applications

IC01 cooling method

Dimensional drawings

Article No.	Dimensions												
	Ø D	E	PB	PA	L	B	BB	BC	BD	BE	C	AB	A
	mm	mm	mm	mm	mm	mm	mm	mm	mm	mm	mm	mm	mm

1DK1 (Z ventilation), sleeve bearing

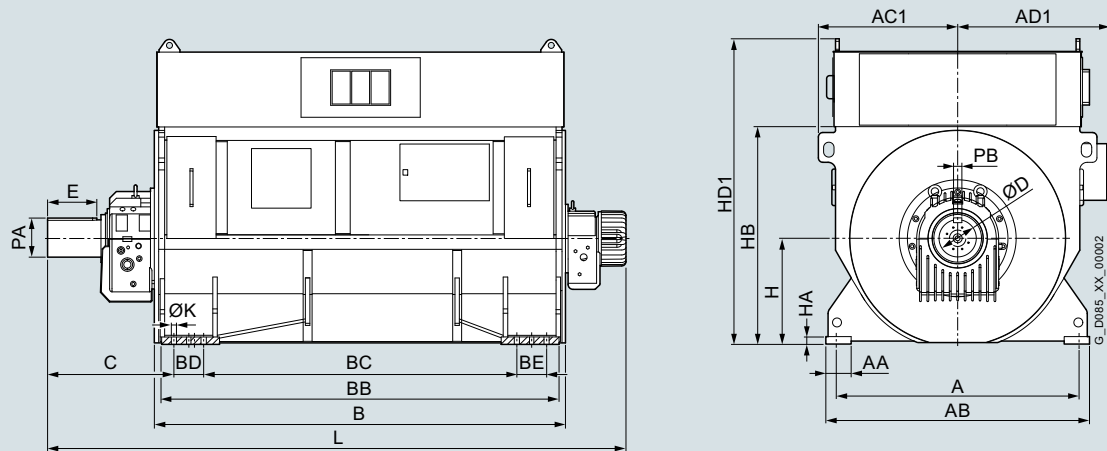
4-pole, 4.16 kV, 60 Hz

1DK1082-ORF04-0FA2	180	240	45	190	2785	1815	1745	1450	-	-	800	1340	1200
1DK1082-OTF04-0FA2	180	240	45	190	2785	1815	1745	1450	-	-	800	1340	1200
1DK1082-OWF04-0FA2	180	240	45	190	2985	2015	1945	1650	-	-	800	1340	1200
1DK1082-1AF04-0FA2	190	280	45	200	2995	2015	1945	1650	-	-	800	1340	1200

Article No. (repeated)	Dimensions									Weight
	HA	AA	H	HB	HD ₁	AC ₁	AD ₁	Ø K	kg	
	mm	mm	mm	mm	mm	mm	mm	mm		

4-pole, 4.16 kV, 60 Hz

1DK1082-ORF04-0FA2	45	150	560	1170	2127	720	720	48	7080
1DK1082-OTF04-0FA2	45	150	560	1170	2127	720	720	48	7356
1DK1082-OWF04-0FA2	45	150	560	1170	2127	720	720	48	7965
1DK1082-1AF04-0FA2	45	150	560	1170	2127	720	720	48	8405

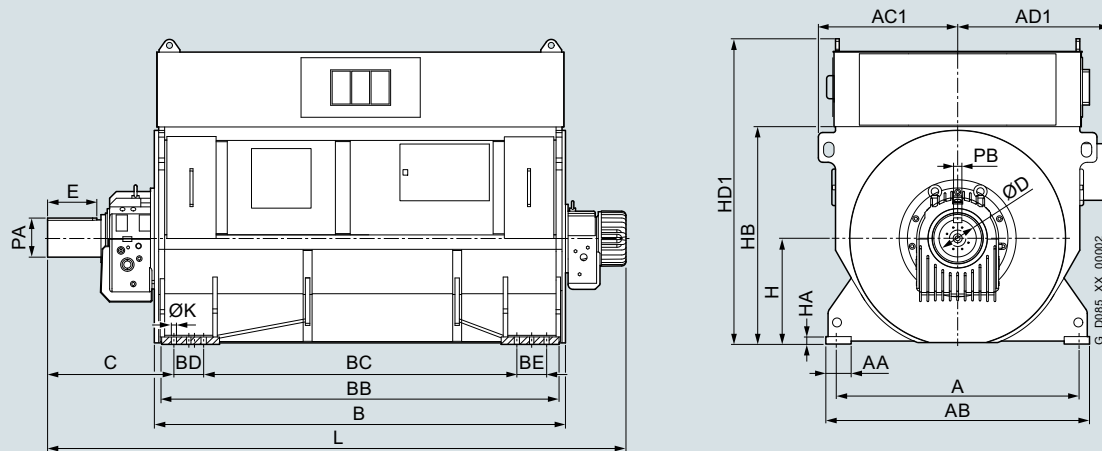
Dimensional drawings (continued)


Article No.	Dimensions												
	Ø D mm	E mm	PB mm	PA mm	L mm	B mm	BB mm	BC mm	BD mm	BE mm	C mm	AB mm	A mm
1DK1 (Z ventilation), sleeve bearing													
6-pole, 4.16 kV, 60 Hz													
1DK1082-0UF06-0FA2	180	240	45	190	2816	1815	1745	1450	–	–	831	1340	1200
1DK1082-1AF06-0FA2	190	280	45	200	3016	2015	1945	1650	–	–	831	1340	1200
1DK1082-1GF06-0FA2	190	280	45	210	3026	2015	1945	1650	–	–	831	1340	1200
1DK1102-0VF06-0FA2	210	280	50	227	3579	2390	2280	1935	–	–	934	1670	1520
1DK1102-0YF06-0FA2	220	280	50	237	3579	2390	2280	1935	–	–	934	1670	1520
1DK1102-1CF06-0FA2	230	330	50	247	3629	2390	2280	1935	–	–	984	1670	1520
1DK1102-1HF06-0FA2	230	330	50	260	3629	2390	2280	1935	–	–	984	1670	1520
1DK1102-1NF06-0FA2	240	330	56	260	3874	2635	2525	2180	–	–	984	1670	1520
Article No. (repeated)	Dimensions									Weight kg			
	HA mm	AA mm	H mm	HB mm	HD ₁ mm	AC ₁ mm	AD ₁ mm	Ø K mm					
6-pole, 4.16 kV, 60 Hz													
1DK1082-0UF06-0FA2	45	150	560	1170	2127	720	720	48	7518				
1DK1082-1AF06-0FA2	45	150	560	1170	2127	720	720	48	8413				
1DK1082-1GF06-0FA2	45	150	560	1170	2127	720	720	48	9205				
1DK1102-0VF06-0FA2	45	170	630	1300	2300	855	950	48	11523				
1DK1102-0YF06-0FA2	45	170	630	1300	2300	855	950	48	11961				
1DK1102-1CF06-0FA2	45	170	630	1300	2300	855	950	48	12520				
1DK1102-1HF06-0FA2	45	170	630	1300	2300	855	950	48	13279				
1DK1102-1NF06-0FA2	45	170	630	1300	2300	855	950	48	14528				

Technical data

Industrial/Marine applications

IC01 cooling method

Dimensional drawings (continued)

Article No.	Dimensions												
	Ø D	E	PB	PA	L	B	BB	BC	BD	BE	C	AB	A
	mm	mm	mm	mm	mm	mm	mm	mm	mm	mm	mm	mm	mm

1DK1 (Z ventilation), sleeve bearing

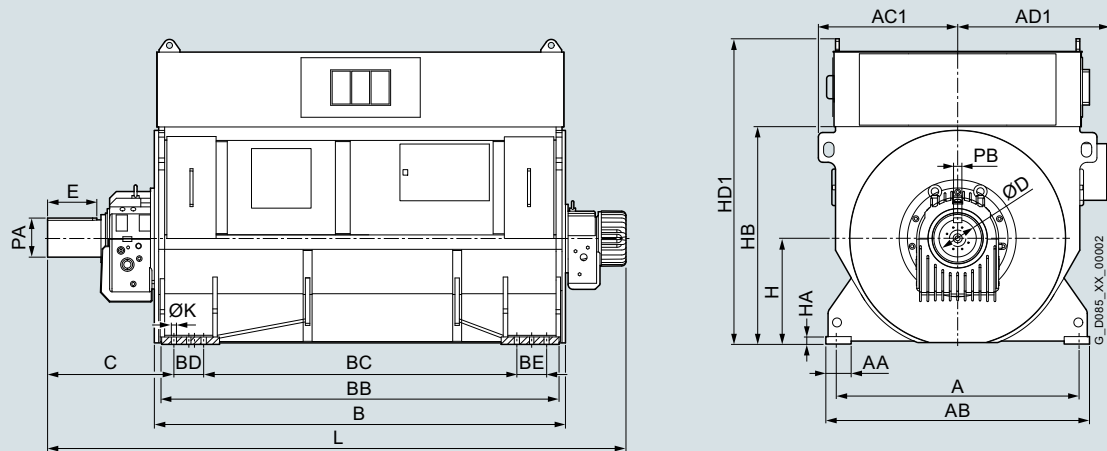
6-pole, 4.16 kV, 60 Hz (continued)

1DK1122-1DF06-0FA2	250	330	56	262	3505	2460	2370	1812	200	200	885	1770	1630
1DK1122-1KF06-0FA2	280	380	63	292	3845	2750	2660	2102	200	200	935	1770	1630
1DK1122-1TF06-0FA2	280	380	63	292	4019	2924	2834	2276	200	200	935	1770	1630
1DK1142-1FF06-0FA2	300	380	70	314	3817	2586	2491	1696	400	365	1065	1970	1830
1DK1142-1KF06-0FA2	320	380	70	334	3817	2586	2491	1696	400	365	1065	1970	1830
1DK1142-1PF06-0FA2	330	450	70	344	4119	2818	2723	1928	400	365	1135	1970	1830
1DK1142-1VF06-0FA2	340	450	80	355	4119	2818	2723	1928	400	365	1135	1970	1830

Article No. (repeated)	Dimensions								Weight
	HA	AA	H	HB	HD ₁	AC ₁	AD ₁	Ø K	
	mm	mm	mm	mm	mm	mm	mm	mm	kg

6-pole, 4.16 kV, 60 Hz

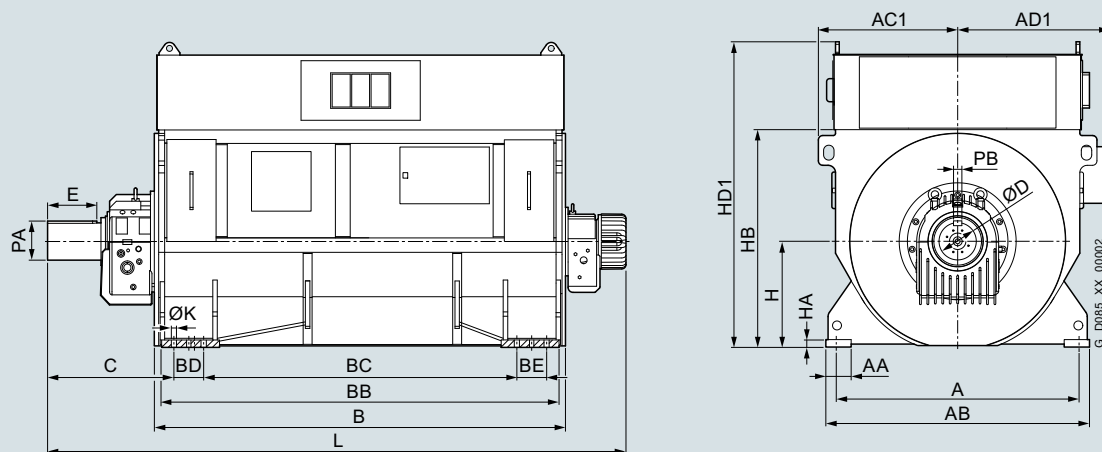
1DK1122-1DF06-0FA2	50	170	710	1460	2270	940	1020	39	14994
1DK1122-1KF06-0FA2	50	170	710	1460	2270	940	1020	39	16930
1DK1122-1TF06-0FA2	50	170	710	1460	2270	940	1020	39	19057
1DK1142-1FF06-0FA2	60	200	800	1630	2330	1050	1825	39	21945
1DK1142-1KF06-0FA2	60	200	800	1630	2330	1050	1825	39	22939
1DK1142-1PF06-0FA2	60	200	800	1630	2330	1050	1825	39	24629
1DK1142-1VF06-0FA2	60	200	800	1630	2330	1050	1825	39	26075

Dimensional drawings (continued)


Article No.	Dimensions												
	Ø D mm	E mm	PB mm	PA mm	L mm	B mm	BB mm	BC mm	BD mm	BE mm	C mm	AB mm	A mm
1DK1 (Z ventilation), sleeve bearing													
8-pole, 4.16 kV, 60 Hz													
1DK1082-0TF08-0FA2	180	240	45	190	2816	1815	1745	1450	–	–	831	1340	1200
1DK1082-1AF08-0FA2	190	280	45	210	3026	2015	1945	1650	–	–	831	1340	1200
1DK1082-1EF08-0FA2	190	280	45	210	3026	2015	1945	1650	–	–	831	1340	1200
1DK1102-0TF08-0FA2	210	280	50	227	3579	2390	2280	1935	–	–	934	1670	1520
1DK1102-0WF08-0FA2	220	280	50	237	3579	2390	2280	1935	–	–	934	1670	1520
1DK1102-1AF08-0FA2	230	330	50	247	3629	2390	2280	1935	–	–	984	1670	1520
1DK1102-1DF08-0FA2	230	330	50	247	3629	2390	2280	1935	–	–	984	1670	1520
1DK1102-1JF08-0FA2	240	330	56	260	3629	2390	2280	1935	–	–	984	1670	1520
1DK1102-1PF08-0FA2	250	330	56	270	3874	2635	2525	2180	–	–	984	1670	1520
Article No. (repeated)	Dimensions									Weight kg			
	HA mm	AA mm	H mm	HB mm	HD ₁ mm	AC ₁ mm	AD ₁ mm	Ø K mm					
8-pole, 4.16 kV, 60 Hz													
1DK1082-0TF08-0FA2	45	150	560	1170	2127	720	720	48	7363				
1DK1082-1AF08-0FA2	45	150	560	1170	2127	720	720	48	8402				
1DK1082-1EF08-0FA2	45	150	560	1170	2127	720	720	48	8966				
1DK1102-0TF08-0FA2	45	170	630	1300	2300	855	950	48	11071				
1DK1102-0WF08-0FA2	45	170	630	1300	2300	855	950	48	11589				
1DK1102-1AF08-0FA2	45	170	630	1300	2300	855	950	48	12133				
1DK1102-1DF08-0FA2	45	170	630	1300	2300	855	950	48	12601				
1DK1102-1JF08-0FA2	45	170	630	1300	2300	855	950	48	13481				
1DK1102-1PF08-0FA2	45	170	630	1300	2300	855	950	48	14666				

Technical data

Industrial/Marine applications

IC01 cooling method**Dimensional drawings** (continued)

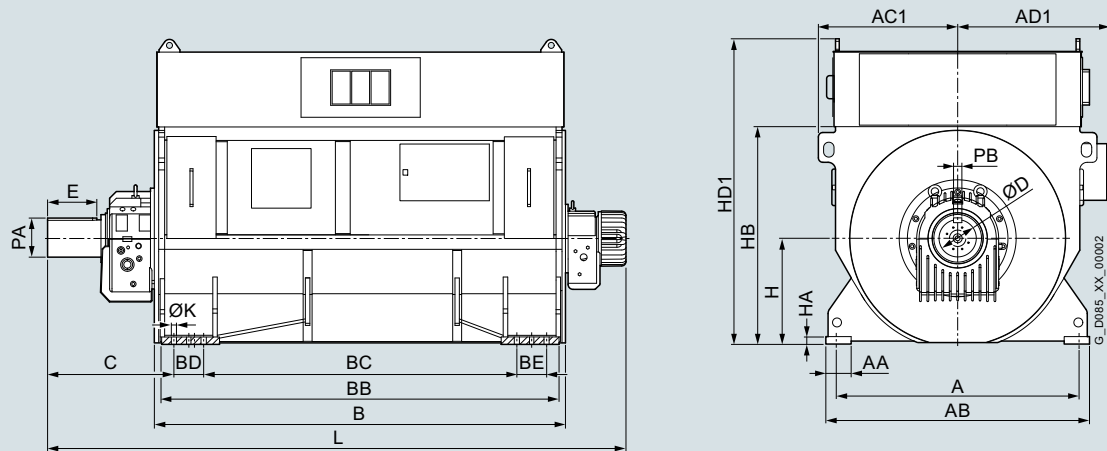
Article No.	Dimensions												
	Ø D mm	E mm	PB mm	PA mm	L mm	B mm	BB mm	BC mm	BD mm	BE mm	C mm	AB mm	A mm

1DK1 (Z ventilation), sleeve bearing

8-pole, 4.16 kV, 60 Hz (continued)

1DK1122-1FF08-0FA2	260	330	56	272	3505	2460	2370	1812	200	200	885	1770	1630
1DK1122-1JF08-0FA2	270	380	63	282	3845	2750	2660	2102	200	200	935	1770	1630
1DK1122-1PF08-0FA2	280	380	63	292	3845	2750	2660	2102	200	200	935	1770	1630
1DK1122-1VF08-0FA2	280	380	63	292	4019	2924	2834	2276	200	200	935	1770	1630
1DK1122-2CF08-0FA2	280	380	63	292	4019	2924	2834	2276	200	200	935	1770	1630
1DK1142-1JF08-0FA2	320	380	70	334	3817	2586	2491	1696	400	365	1065	1970	1830
1DK1142-1LF08-0FA2	330	450	70	344	3887	2586	2491	1696	400	365	1135	1970	1830
1DK1142-1PF08-0FA2	330	450	70	344	4119	2818	2723	1928	400	365	1135	1970	1830
1DK1142-1TF08-0FA2	340	450	80	355	4119	2818	2723	1928	400	365	1135	1970	1830
1DK1142-1XF08-0FA2	340	450	80	355	4351	3050	2955	2160	400	365	1135	1970	1830
1DK1142-2EF08-0FA2	350	450	80	365	4351	3050	2955	2160	400	365	1135	1970	1830

Article No. (repeated)	Dimensions								Weight kg
	HA mm	AA mm	H mm	HB mm	HD ₁ mm	AC ₁ mm	AD ₁ mm	Ø K mm	
8-pole, 4.16 kV, 60 Hz									
1DK1122-1FF08-0FA2	50	170	710	1460	2270	940	1020	39	15068
1DK1122-1JF08-0FA2	50	170	710	1460	2270	940	1020	39	16449
1DK1122-1PF08-0FA2	50	170	710	1460	2270	940	1020	39	17415
1DK1122-1VF08-0FA2	50	170	710	1460	2270	940	1020	39	19138
1DK1122-2CF08-0FA2	50	170	710	1460	2270	940	1020	39	20410
1DK1142-1JF08-0FA2	60	200	800	1630	2330	1050	1825	39	22458
1DK1142-1LF08-0FA2	60	200	800	1630	2330	1050	1825	39	23002
1DK1142-1PF08-0FA2	60	200	800	1630	2330	1050	1825	39	24327
1DK1142-1TF08-0FA2	60	200	800	1630	2330	1050	1825	39	25306
1DK1142-1XF08-0FA2	60	200	800	1630	2330	1050	1825	39	26838
1DK1142-2EF08-0FA2	60	200	800	1630	2330	1050	1825	39	28336

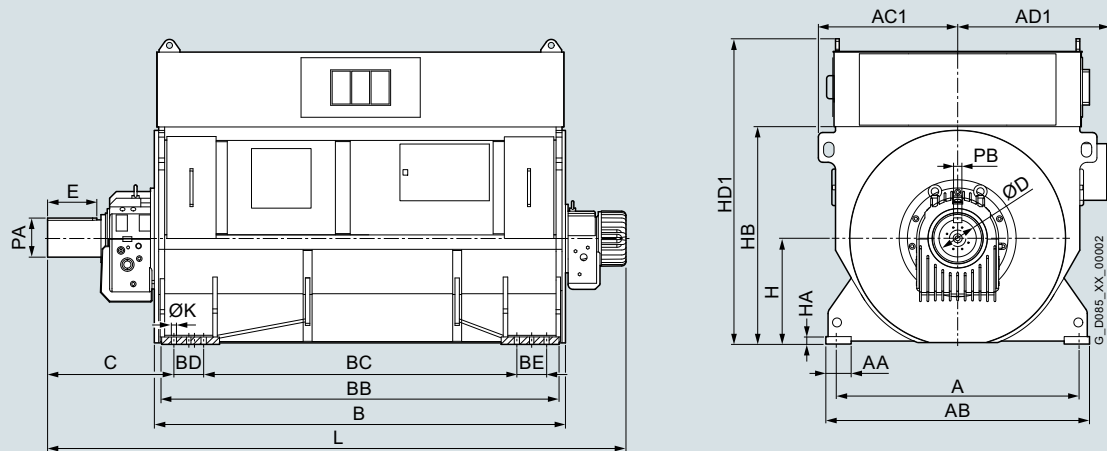
Dimensional drawings (continued)


Article No.	Dimensions												
	Ø D mm	E mm	PB mm	PA mm	L mm	B mm	BB mm	BC mm	BD mm	BE mm	C mm	AB mm	A mm
1DK1 (Z ventilation), sleeve bearing													
10-pole, 4.16 kV, 60 Hz													
1DK1102-OSF10-0FA2	210	280	56	270	3824	2635	2280	2180	–	–	934	1670	1520
1DK1102-0VF10-0FA2	210	280	50	227	3579	2390	2280	1935	–	–	934	1670	1520
1DK1102-0YF10-0FA2	230	330	50	237	3629	2390	2280	1935	–	–	984	1670	1520
1DK1102-1EF10-0FA2	240	330	56	247	3629	2390	2280	1935	–	–	984	1670	1520
1DK1102-1MF10-0FA2	240	330	56	260	3629	2390	2280	1935	–	–	984	1670	1520
1DK1102-1RF10-0FA2	250	330	56	270	3874	2635	2525	2180	–	–	984	1670	1520
Article No. (repeated)	Dimensions								Weight				
	HA mm	AA mm	H mm	HB mm	HD ₁ mm	AC ₁ mm	AD ₁ mm	Ø K mm	kg				
10-pole, 4.16 kV, 60 Hz													
1DK1102-OSF10-0FA2	45	170	630	1300	2300	855	950	48	10697				
1DK1102-0VF10-0FA2	45	170	630	1300	2300	855	950	48	11216				
1DK1102-0YF10-0FA2	45	170	630	1300	2300	855	950	48	11698				
1DK1102-1EF10-0FA2	45	170	630	1300	2300	855	950	48	12538				
1DK1102-1MF10-0FA2	45	170	630	1300	2300	855	950	48	13665				
1DK1102-1RF10-0FA2	45	170	630	1300	2300	855	950	48	14657				

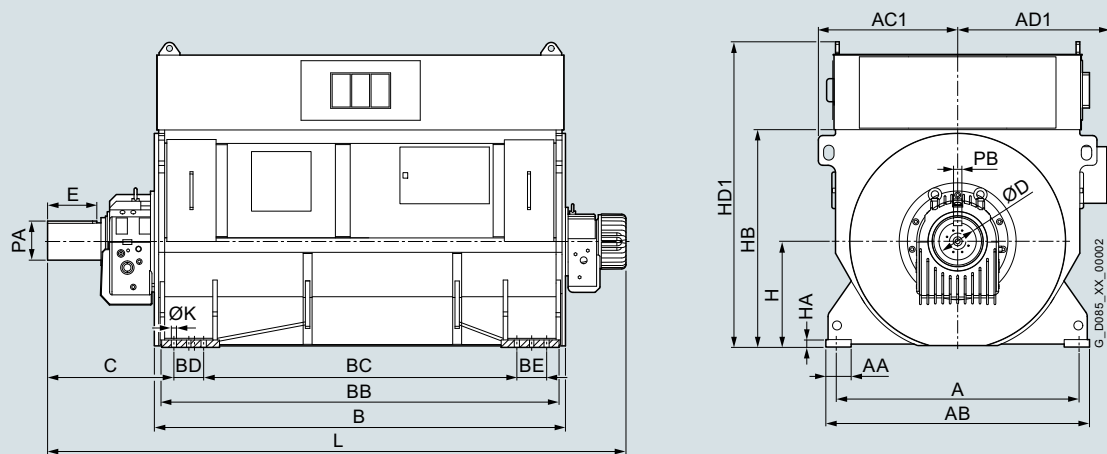
Technical data

Industrial/Marine applications

IC01 cooling method

Dimensional drawings (continued)

Article No.	Dimensions												
	Ø D mm	E mm	PB mm	PA mm	L mm	B mm	BB mm	BC mm	BD mm	BE mm	C mm	AB mm	A mm
1DK1 (Z ventilation), sleeve bearing													
10-pole, 4.16 kV, 60 Hz (continued)													
1DK1122-1JF10-0FA2	260	330	56	272	3505	2460	2370	1812	200	200	875	1770	1630
1DK1122-1MF10-0FA2	280	380	63	292	3845	2750	2660	2102	200	200	925	1770	1630
1DK1122-1SF10-0FA2	280	380	63	292	3845	2750	2660	2102	200	200	925	1770	1630
1DK1122-1YF10-0FA2	280	380	63	292	4019	2924	2834	2276	200	200	925	1770	1630
1DK1142-1GF10-0FA2	300	380	70	314	3817	2586	2491	1696	400	365	1065	1970	1830
1DK1142-1LF10-0FA2	330	450	70	344	3887	2586	2491	1696	400	365	1135	1970	1830
1DK1142-1TF10-0FA2	330	450	70	344	4119	2818	2723	1928	400	365	1135	1970	1830
1DK1142-1XF10-0FA2	340	450	80	355	4351	3050	2955	2160	400	365	1135	1970	1830
1DK1142-2EF10-0FA2	340	450	80	355	4351	3050	2955	2160	400	365	1135	1970	1830
Article No. (repeated)	Dimensions								Weight kg				
	HA mm	AA mm	H mm	HB mm	HD ₁ mm	AC ₁ mm	AD ₁ mm	Ø K mm					
10-pole, 4.16 kV, 60 Hz													
1DK1122-1JF10-0FA2	50	170	710	1460	2270	940	1020	39	15983				
1DK1122-1MF10-0FA2	50	170	710	1460	2270	940	1020	39	16953				
1DK1122-1SF10-0FA2	50	170	710	1460	2270	940	1020	39	18016				
1DK1122-1YF10-0FA2	50	170	710	1460	2270	940	1020	39	19666				
1DK1142-1GF10-0FA2	60	200	800	1630	2330	1050	1825	39	22086				
1DK1142-1LF10-0FA2	60	200	800	1630	2330	1050	1825	39	23122				
1DK1142-1TF10-0FA2	60	200	800	1630	2330	1050	1825	39	25299				
1DK1142-1XF10-0FA2	60	200	800	1630	2330	1050	1825	39	26655				
1DK1142-2EF10-0FA2	60	200	800	1630	2330	1050	1825	39	28204				

Dimensional drawings (continued)


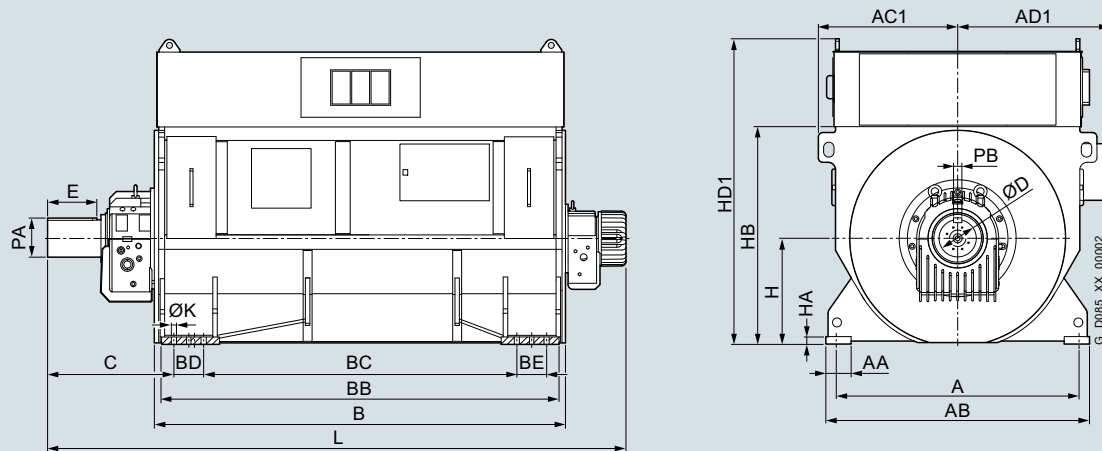
Article No.	Dimensions												
	Ø D mm	E mm	PB mm	PA mm	L mm	B mm	BB mm	BC mm	BD mm	BE mm	C mm	AB mm	A mm
1DK1 (Z ventilation), sleeve bearing													
12-pole, 4.16 kV, 60 Hz													
1DK1122-1AF12-0FA2	250	330	56	262	3505	2460	2370	1812	200	200	875	1770	1630
1DK1122-1DF12-0FA2	250	330	56	262	3505	2460	2370	1812	200	200	875	1770	1630
1DK1122-1GF12-0FA2	260	330	56	272	3505	2460	2370	1812	200	200	875	1770	1630
1DK1122-1MF12-0FA2	280	380	63	292	3845	2750	2660	2102	200	200	925	1770	1630
1DK1122-1RF12-0FA2	280	380	63	292	3845	2750	2660	2102	200	200	925	1770	1630
1DK1122-1VF12-0FA2	280	380	63	292	3845	2750	2660	2102	200	200	925	1770	1630
1DK1142-1JF12-0FA2	300	380	70	314	3817	2586	2491	1696	400	365	1065	1970	1830
1DK1142-1NF12-0FA2	320	380	70	334	3817	2586	2491	1696	400	365	1065	1970	1830
1DK1142-1SF12-0FA2	330	450	70	344	4119	2818	2723	1928	400	365	1135	1970	1830
1DK1142-1XF12-0FA2	330	450	70	344	4351	3050	2955	2160	400	365	1135	1970	1830

Article No. (repeated)	Dimensions								Weight kg
	HA mm	AA mm	H mm	HB mm	HD ₁ mm	AC ₁ mm	AD ₁ mm	Ø K mm	
12-pole, 4.16 kV, 60 Hz									
1DK1122-1AF12-0FA2	50	170	710	1460	2270	940	1020	39	14063
1DK1122-1DF12-0FA2	50	170	710	1460	2270	940	1020	39	14698
1DK1122-1GF12-0FA2	50	170	710	1460	2270	940	1020	39	15320
1DK1122-1MF12-0FA2	50	170	710	1460	2270	940	1020	39	16789
1DK1122-1RF12-0FA2	50	170	710	1460	2270	940	1020	39	17641
1DK1122-1VF12-0FA2	50	170	710	1460	2270	940	1020	39	18354
1DK1142-1JF12-0FA2	60	200	800	1630	2330	1050	1825	39	22754
1DK1142-1NF12-0FA2	60	200	800	1630	2330	1050	1825	39	23768
1DK1142-1SF12-0FA2	60	200	800	1630	2330	1050	1825	39	25206
1DK1142-1XF12-0FA2	60	200	800	1630	2330	1050	1825	39	26940

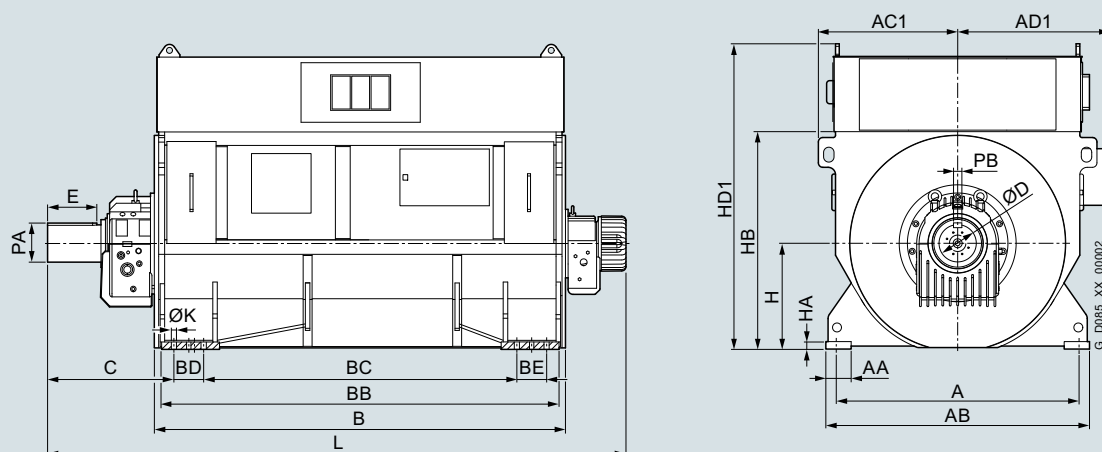
Technical data

Industrial/Marine applications

IC01 cooling method

Dimensional drawings (continued)

Article No.	Dimensions												
	Ø D mm	E mm	PB mm	PA mm	L mm	B mm	BB mm	BC mm	BD mm	BE mm	C mm	AB mm	A mm
1DK1 (Z ventilation), sleeve bearing													
14-pole, 4.16 kV, 60 Hz													
1DK1122-1DF14-0FA2	230	330	50	241	3505	2460	2370	1812	200	200	875	1770	1630
1DK1122-1JF14-0FA2	240	330	56	252	3505	2460	2370	1812	200	200	875	1770	1630
1DK1122-1RF14-0FA2	240	330	56	252	3795	2750	2660	2102	200	200	875	1770	1630
1DK1122-1XF14-0FA2	240	330	56	252	3795	2750	2660	2102	200	200	875	1770	1630
1DK1142-1GF14-0FA2	290	380	63	302	3817	2586	2491	1696	400	365	1065	1970	1830
1DK1142-1NF14-0FA2	300	380	70	314	3817	2586	2491	1696	400	365	1065	1970	1830
1DK1142-1XF14-0FA2	330	450	70	344	3887	2586	2491	1696	400	365	1135	1970	1830
Article No. (repeated)	Dimensions								Weight kg				
	HA mm	AA mm	H mm	HB mm	HD ₁ mm	AC ₁ mm	AD ₁ mm	Ø K mm					
14-pole, 4.16 kV, 60 Hz													
1DK1122-1DF14-0FA2	50	170	710	1460	2270	940	1020	39	14266				
1DK1122-1JF14-0FA2	50	170	710	1460	2270	940	1020	39	15284				
1DK1122-1RF14-0FA2	50	170	710	1460	2270	940	1020	39	17390				
1DK1122-1XF14-0FA2	50	170	710	1460	2270	940	1020	39	18455				
1DK1142-1GF14-0FA2	60	200	800	1630	2330	1050	1825	39	22341				
1DK1142-1NF14-0FA2	60	200	800	1630	2330	1050	1825	39	23791				
1DK1142-1XF14-0FA2	60	200	800	1630	2330	1050	1825	39	26034				

Dimensional drawings


Article No.	Dimensions												
	Ø D	E	PB	PA	L	B	BB	BC	BD	BE	C	AB	A
	mm	mm	mm	mm	mm	mm	mm	mm	mm	mm	mm	mm	mm

1DK1 (Z ventilation), sleeve bearing

4-pole, 6.3 kV, 50 Hz

1DK1082-0TH04-0FA2	180	240	45	190	2785	1815	1745	1450	–	–	800	1340	1200
1DK1082-0WH04-0FA2	180	240	45	190	2985	2015	1945	1650	–	–	800	1340	1200
1DK1082-1AH04-0FA2	180	240	45	190	2985	2015	1945	1650	–	–	800	1340	1200
1DK1082-1DH04-0FA2	190	280	45	200	2995	2015	1945	1650	–	–	800	1340	1200

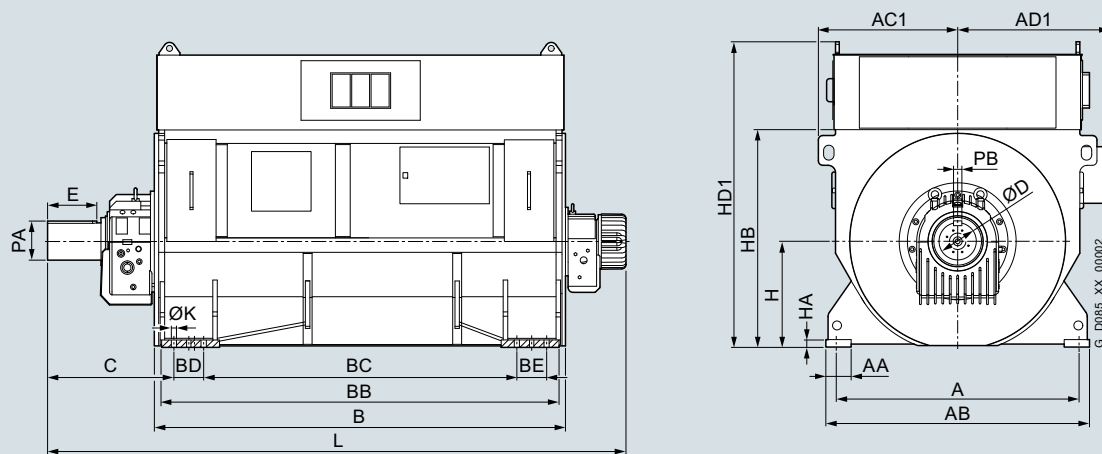
Article No. (repeated)	Dimensions									Weight
	HA	AA	H	HB	HD ₁	AC ₁	AD ₁	Ø K	kg	
	mm	mm	mm	mm	mm	mm	mm	mm		

4-pole, 6.3 kV, 50 Hz

1DK1082-0TH04-0FA2	45	150	560	1170	2127	720	720	48	7330
1DK1082-0WH04-0FA2	45	150	560	1170	2127	720	720	48	7921
1DK1082-1AH04-0FA2	45	150	560	1170	2127	720	720	48	8328
1DK1082-1DH04-0FA2	45	150	560	1170	2127	720	720	48	8756

Technical data

Industrial/Marine applications

IC01 cooling method**Dimensional drawings** (continued)

Article No.	Dimensions												
	Ø D	E	PB	PA	L	B	BB	BC	BD	BE	C	AB	A
	mm	mm	mm	mm	mm	mm	mm	mm	mm	mm	mm	mm	mm

1DK1 (Z ventilation), sleeve bearing

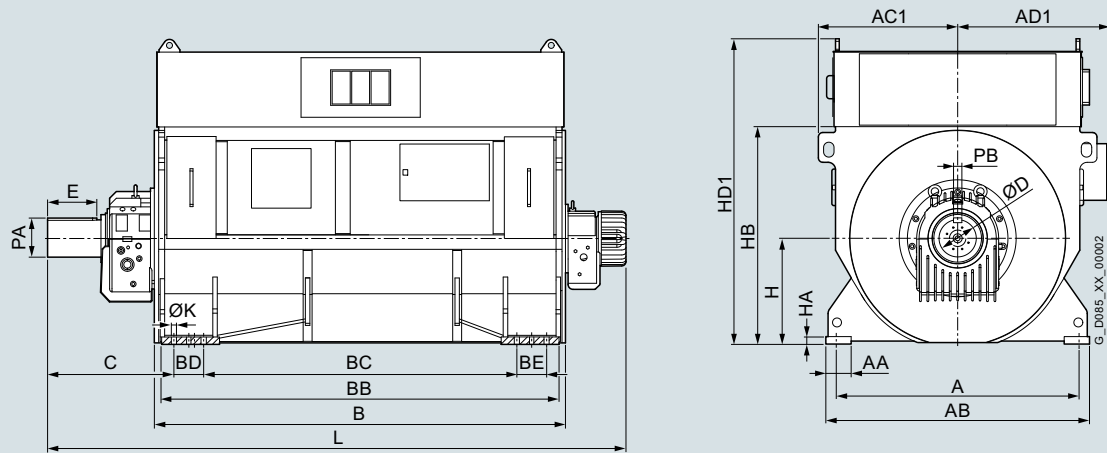
6-pole, 6.3 kV, 50 Hz

1DK1080-0UH06-0FA2	180	240	45	190	2816	1815	1745	1450	-	-	831	1340	1200
1DK1082-1AH06-0FA2	190	280	45	200	3016	2015	1945	1650	-	-	831	1340	1200
1DK1082-1GH06-0FA2	190	280	45	210	3026	2015	1945	1650	-	-	831	1340	1200
1DK1102-0VH06-0FA2	210	280	50	227	3579	2390	2280	1935	-	-	934	1670	1520
1DK1102-0YH06-0FA2	210	280	50	227	3579	2390	2280	1935	-	-	934	1670	1520
1DK1102-1CH06-0FA2	230	330	50	247	3629	2390	2280	1935	-	-	984	1670	1520
1DK1102-1HH06-0FA2	230	330	50	247	3629	2390	2280	1935	-	-	984	1670	1520
1DK1102-1NH06-0FA2	240	330	56	260	3874	2635	2525	2180	-	-	984	1670	1520

Article No. (repeated)	Dimensions								Weight
	HA	AA	H	HB	HD ₁	AC ₁	AD ₁	Ø K	
	mm	mm	mm	mm	mm	mm	mm	mm	kg

6-pole, 6.3 kV, 50 Hz

1DK1080-0UH06-0FA2	45	150	560	1170	2127	720	720	48	7454
1DK1082-1AH06-0FA2	45	150	560	1170	2127	720	720	48	8365
1DK1082-1GH06-0FA2	45	150	560	1170	2127	720	720	48	9148
1DK1102-0VH06-0FA2	45	170	630	1300	2300	855	950	48	11464
1DK1102-0YH06-0FA2	45	170	630	1300	2300	855	950	48	11932
1DK1102-1CH06-0FA2	45	170	630	1300	2300	855	950	48	12415
1DK1102-1HH06-0FA2	45	170	630	1300	2300	855	950	48	13247
1DK1102-1NH06-0FA2	45	170	630	1300	2300	855	950	48	14460

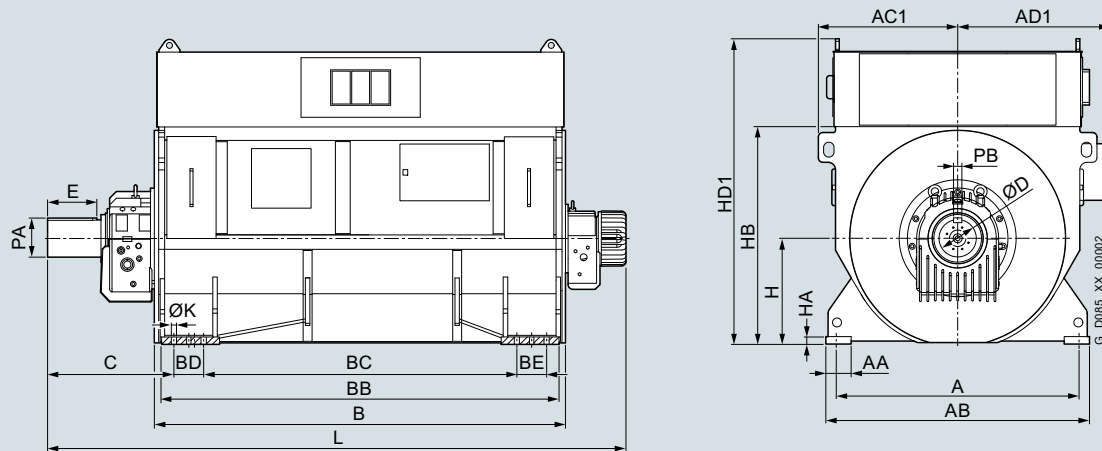
Dimensional drawings (continued)


Article No.	Dimensions												
	Ø D	E	PB	PA	L	B	BB	BC	BD	BE	C	AB	A
	mm	mm	mm	mm	mm	mm	mm	mm	mm	mm	mm	mm	mm
1DK1 (Z ventilation), sleeve bearing													
6-pole, 6.3 kV, 50 Hz (continued)													
1DK1122-1DH06-0FA2	250	330	56	262	3505	2460	2370	1812	200	200	885	1770	1630
1DK1122-1KH06-0FA2	280	380	63	292	3845	2750	2660	2102	200	200	935	1770	1630
1DK1122-1TH06-0FA2	280	380	63	292	4019	2924	2834	2276	200	200	935	1770	1630
1DK1122-1WH06-0FA2	280	380	63	292	4019	2924	2834	2276	200	200	935	1770	1630
1DK1142-1KH06-0FA2	320	380	70	334	3817	2586	2491	1696	400	365	1065	1970	1830
1DK1142-1PH06-0FA2	330	450	70	344	4119	2818	2723	1928	400	365	1135	1970	1830
1DK1142-1VH06-0FA2	340	450	80	355	4119	2818	2723	1928	400	365	1135	1970	1830
1DK1142-2BH06-0FA2	340	450	80	355	4351	3050	2955	2160	400	365	1135	1970	1830

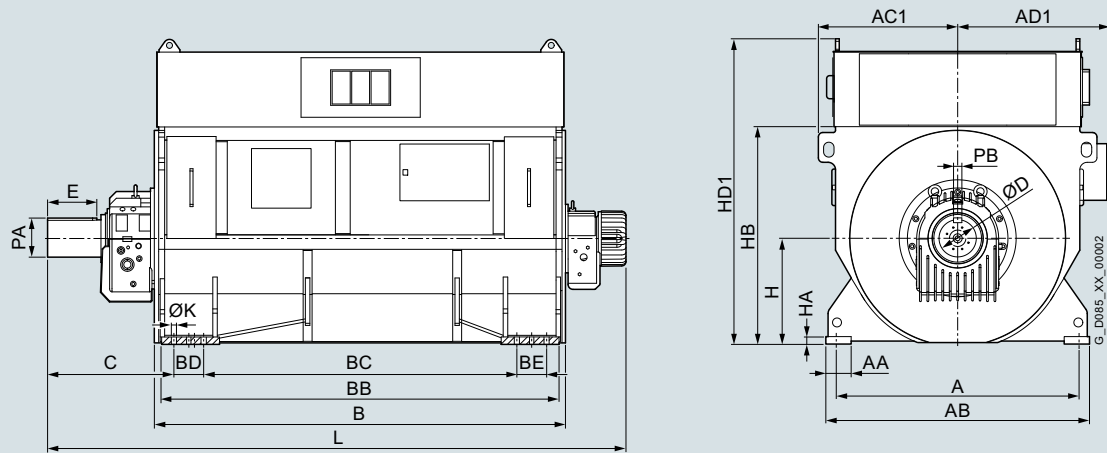
Article No. (repeated)	Dimensions								Weight
	HA	AA	H	HB	HD ₁	AC ₁	AD ₁	Ø K	
	mm	mm	mm	mm	mm	mm	mm	mm	kg
6-pole, 6.3 kV, 50 Hz									
1DK1122-1DH06-0FA2	50	170	710	1460	2270	940	1020	39	14808
1DK1122-1KH06-0FA2	50	170	710	1460	2270	940	1020	39	16657
1DK1122-1TH06-0FA2	50	170	710	1460	2270	940	1020	39	18781
1DK1122-1WH06-0FA2	50	170	710	1460	2270	940	1020	39	19477
1DK1142-1KH06-0FA2	60	200	800	1630	2330	1050	1825	39	22990
1DK1142-1PH06-0FA2	60	200	800	1630	2330	1050	1825	39	24574
1DK1142-1VH06-0FA2	60	200	800	1630	2330	1050	1825	39	26167
1DK1142-2BH06-0FA2	60	200	800	1630	2330	1050	1825	39	27849

Technical data

Industrial/Marine applications

IC01 cooling method**Dimensional drawings** (continued)

Article No.	Dimensions												
	Ø D mm	E mm	PB mm	PA mm	L mm	B mm	BB mm	BC mm	BD mm	BE mm	C mm	AB mm	A mm
1DK1 (Z ventilation), sleeve bearing													
8-pole, 6.3 kV, 50 Hz													
1DK1082-0TH08-0FA2	180	240	45	190	2816	1815	1745	1450	–	–	831	1340	1200
1DK1082-1AH08-0FA2	190	280	45	200	2826	1815	1745	1450	–	–	831	1340	1200
1DK1082-1EH08-0FA2	190	280	45	210	3026	2015	1945	1650	–	–	831	1340	1200
1DK1102-0TH08-0FA2	210	280	50	227	3579	2390	2280	1935	–	–	934	1670	1520
1DK1102-0WH08-0FA2	210	280	50	227	3579	2390	2280	1935	–	–	934	1670	1520
1DK1102-1AH08-0FA2	220	280	50	237	3579	2390	2280	1935	–	–	934	1670	1520
1DK1102-1DH08-0FA2	230	330	50	247	3629	2390	2280	1935	–	–	984	1670	1520
1DK1102-1JH08-0FA2	240	330	56	260	3629	2390	2280	1935	–	–	984	1670	1520
1DK1102-1PH08-0FA2	240	330	56	260	3874	2635	2525	2180	–	–	984	1670	1520
Article No. (repeated)	Dimensions									Weight kg			
	HA mm	AA mm	H mm	HB mm	HD ₁ mm	AC ₁ mm	AD ₁ mm	Ø K mm					
8-pole, 6.3 kV, 50 Hz													
1DK1082-0TH08-0FA2	45	150	560	1170	2127	720	720	48	7394				
1DK1082-1AH08-0FA2	45	150	560	1170	2127	720	720	48	8227				
1DK1082-1EH08-0FA2	45	150	560	1170	2127	720	720	48	8985				
1DK1102-0TH08-0FA2	45	170	630	1300	2300	855	950	48	11027				
1DK1102-0WH08-0FA2	45	170	630	1300	2300	855	950	48	11535				
1DK1102-1AH08-0FA2	45	170	630	1300	2300	855	950	48	12076				
1DK1102-1DH08-0FA2	45	170	630	1300	2300	855	950	48	12521				
1DK1102-1JH08-0FA2	45	170	630	1300	2300	855	950	48	13411				
1DK1102-1PH08-0FA2	45	170	630	1300	2300	855	950	48	14602				

Dimensional drawings (continued)


Article No.	Dimensions												
	Ø D	E	PB	PA	L	B	BB	BC	BD	BE	C	AB	A
	mm	mm	mm	mm	mm	mm	mm	mm	mm	mm	mm	mm	mm

1DK1 (Z ventilation), sleeve bearing

8-pole, 6.3 kV, 50 Hz (continued)

1DK1122-1FH08-0FA2	260	330	56	272	3505	2460	2370	1812	200	200	875	1770	1630
1DK1122-1JH08-0FA2	270	380	63	282	3845	2750	2660	2102	200	200	925	1770	1630
1DK1122-1PH08-0FA2	280	380	63	292	3845	2750	2660	2102	200	200	925	1770	1630
1DK1122-1VH08-0FA2	280	380	63	292	4019	2924	2834	2276	200	200	925	1770	1630
1DK1122-2CH08-0FA2	280	380	63	292	4019	2924	2834	2276	200	200	925	1770	1630
1DK1142-1JH08-0FA2	320	380	70	334	3817	2586	2491	1696	400	365	1065	1970	1830
1DK1142-1LH08-0FA2	330	450	70	344	3887	2586	2491	1696	400	365	1135	1970	1830
1DK1142-1PH08-0FA2	330	450	70	344	4119	2818	2723	1928	400	365	1135	1970	1830
1DK1142-1TH08-0FA2	330	450	70	344	4119	2818	2723	1928	400	365	1135	1970	1830
1DK1142-1XH08-0FA2	340	450	80	355	4351	3050	2955	2160	400	365	1135	1970	1830
1DK1142-2EH08-0FA2	350	450	80	365	4351	3050	2955	2160	400	365	1135	1970	1830

Article No. (repeated)	Dimensions								Weight
	HA	AA	H	HB	HD ₁	AC ₁	AD ₁	Ø K	
	mm	mm	mm	mm	mm	mm	mm	mm	kg

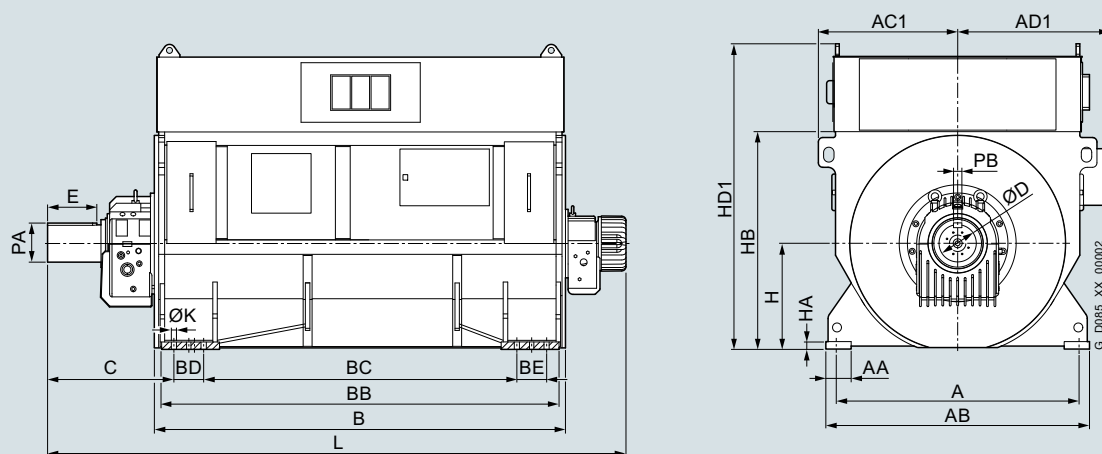
8-pole, 6.3 kV, 50 Hz

1DK1122-1FH08-0FA2	50	170	710	1460	2270	940	1020	39	14964
1DK1122-1JH08-0FA2	50	170	710	1460	2270	940	1020	39	16207
1DK1122-1PH08-0FA2	50	170	710	1460	2270	940	1020	39	17336
1DK1122-1VH08-0FA2	50	170	710	1460	2270	940	1020	39	18921
1DK1122-2CH08-0FA2	50	170	710	1460	2270	940	1020	39	20329
1DK1142-1JH08-0FA2	60	200	800	1630	2330	1050	1825	39	22435
1DK1142-1LH08-0FA2	60	200	800	1630	2330	1050	1825	39	22991
1DK1142-1PH08-0FA2	60	200	800	1630	2330	1050	1825	39	24389
1DK1142-1TH08-0FA2	60	200	800	1630	2330	1050	1825	39	25335
1DK1142-1XH08-0FA2	60	200	800	1630	2330	1050	1825	39	26788
1DK1142-2EH08-0FA2	60	200	800	1630	2330	1050	1825	39	28335

Technical data

Industrial/Marine applications

IC01 cooling method

Dimensional drawings (continued)

Article No.	Dimensions												
	Ø D mm	E mm	PB mm	PA mm	L mm	B mm	BB mm	BC mm	BD mm	BE mm	C mm	AB mm	A mm

1DK1 (Z ventilation), sleeve bearing

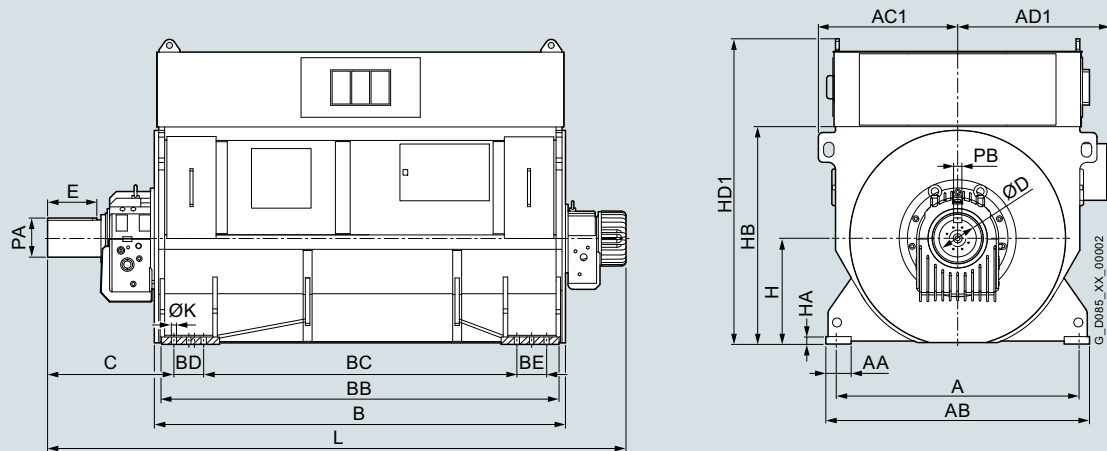
10-pole, 6.3 kV, 50 Hz

1DK1102-OSH10-0FA2	210	280	50	227	3579	2390	2280	1935	–	–	934	1670	1520
1DK1102-0VH10-0FA2	210	280	50	227	3579	2390	2280	1935	–	–	934	1670	1520
1DK1102-0YH10-0FA2	220	280	50	237	3579	2390	2280	1935	–	–	934	1670	1520
1DK1102-1EH10-0FA2	230	330	50	247	3629	2390	2280	1935	–	–	984	1670	1520
1DK1102-1MH10-0FA2	240	330	56	260	3629	2390	2280	1935	–	–	984	1670	1520
1DK1102-1RH10-0FA2	240	330	56	260	3874	2635	2525	2180	–	–	984	1670	1520

Article No. (repeated)	Dimensions									Weight kg
	HA mm	AA mm	H mm	HB mm	HD ₁ mm	AC ₁ mm	AD ₁ mm	Ø K mm		

10-pole, 6.3 kV, 50 Hz

1DK1102-OSH10-0FA2	45	170	630	1300	2300	855	950	48	10658
1DK1102-0VH10-0FA2	45	170	630	1300	2300	855	950	48	11157
1DK1102-0YH10-0FA2	45	170	630	1300	2300	855	950	48	11631
1DK1102-1EH10-0FA2	45	170	630	1300	2300	855	950	48	12407
1DK1102-1MH10-0FA2	45	170	630	1300	2300	855	950	48	13558
1DK1102-1RH10-0FA2	45	170	630	1300	2300	855	950	48	14504

Dimensional drawings (continued)


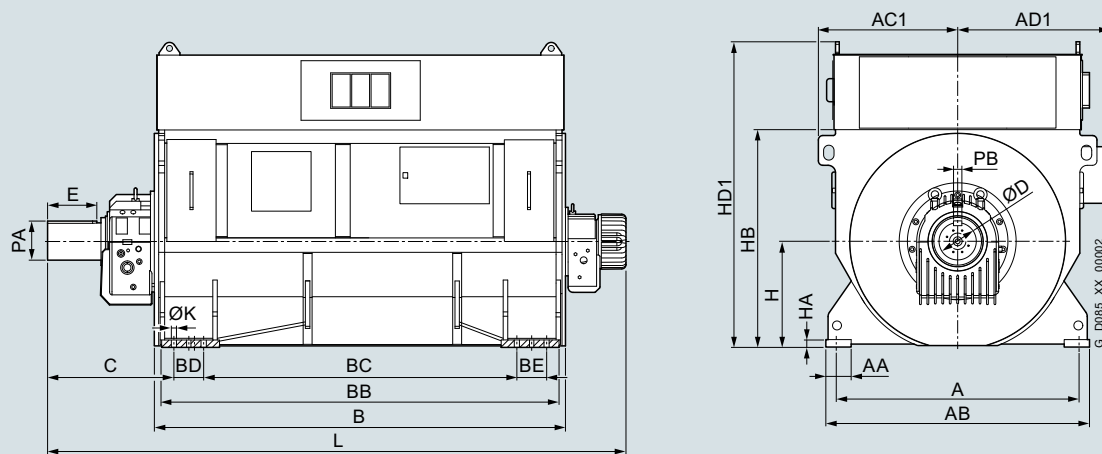
Article No.	Dimensions												
	Ø D	E	PB	PA	L	B	BB	BC	BD	BE	C	AB	A
	mm	mm	mm	mm	mm	mm	mm	mm	mm	mm	mm	mm	mm
1DK1 (Z ventilation), sleeve bearing													
10-pole, 6.3 kV, 50 Hz (continued)													
1DK1122-1JH10-0FA2	260	330	56	272	3505	2460	2370	1812	200	200	875	1770	1630
1DK1122-1MH10-0FA2	280	380	63	292	3845	2750	2660	2102	200	200	925	1770	1630
1DK1122-1SH10-0FA2	280	380	63	292	3845	2750	2660	2102	200	200	925	1770	1630
1DK1122-1YH10-0FA2	280	380	63	292	4019	2924	2834	2276	200	200	925	1770	1630
1DK1142-1GH10-0FA2	300	380	70	314	3817	2586	2491	1696	400	365	1065	1970	1830
1DK1142-1LH10-0FA2	310	380	70	324	3817	2586	2491	1696	400	365	1065	1970	1830
1DK1142-1TH10-0FA2	330	450	70	344	4119	2818	2723	1928	400	365	1135	1970	1830
1DK1142-1XH10-0FA2	340	450	80	355	4351	3050	2955	2160	400	365	1135	1970	1830
1DK1142-2EH10-0FA2	340	450	80	355	4351	3050	2955	2160	400	365	1135	1970	1830

Article No. (repeated)	Dimensions								Weight
	HA	AA	H	HB	HD ₁	AC ₁	AD ₁	Ø K	
	mm	mm	mm	mm	mm	mm	mm	mm	kg
10-pole, 6.3 kV, 50 Hz									
1DK1122-1JH10-0FA2	50	170	710	1460	2270	940	1020	39	15982
1DK1122-1MH10-0FA2	50	170	710	1460	2270	940	1020	39	16783
1DK1122-1SH10-0FA2	50	170	710	1460	2270	940	1020	39	17899
1DK1122-1YH10-0FA2	50	170	710	1460	2270	940	1020	39	19654
1DK1142-1GH10-0FA2	60	200	800	1630	2330	1050	1825	39	22072
1DK1142-1LH10-0FA2	60	200	800	1630	2330	1050	1825	39	23098
1DK1142-1TH10-0FA2	60	200	800	1630	2330	1050	1825	39	25101
1DK1142-1XH10-0FA2	60	200	800	1630	2330	1050	1825	39	26776
1DK1142-2EH10-0FA2	60	200	800	1630	2330	1050	1825	39	28168

Technical data

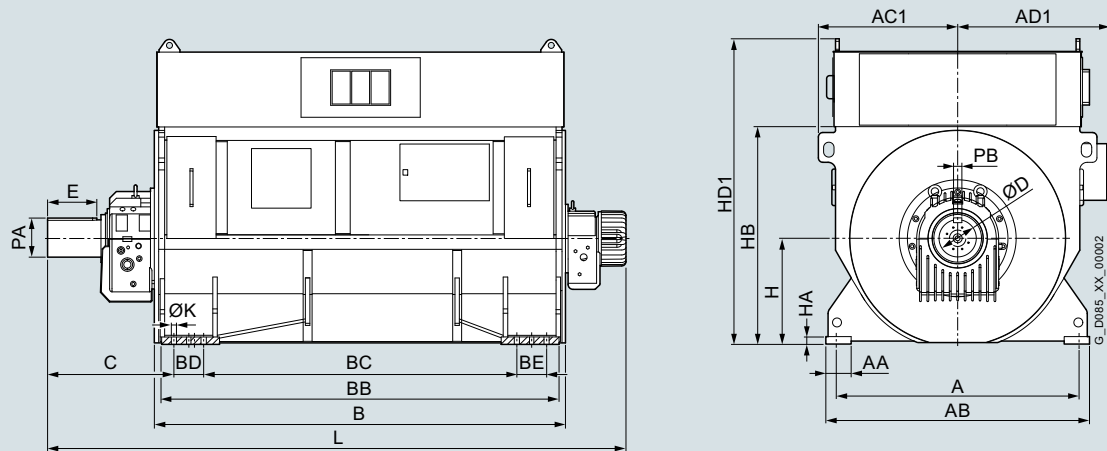
Industrial/Marine applications

IC01 cooling method

Dimensional drawings (continued)

Article No.	Dimensions												
	Ø D mm	E mm	PB mm	PA mm	L mm	B mm	BB mm	BC mm	BD mm	BE mm	C mm	AB mm	A mm
1DK1 (Z ventilation), sleeve bearing													
12-pole, 6.3 kV, 50 Hz													
1DK1122-1AH12-0FA2	240	330	56	252	3505	2460	2370	1812	200	200	875	1770	1630
1DK1122-1DH12-0FA2	250	330	56	262	3505	2460	2370	1812	200	200	875	1770	1630
1DK1122-1GH12-0FA2	260	330	56	272	3505	2460	2370	1812	200	200	875	1770	1630
1DK1122-1MH12-0FA2	280	380	63	292	3845	2750	2660	2102	200	200	925	1770	1630
1DK1122-1RH12-0FA2	280	380	63	292	3845	2750	2660	2102	200	200	925	1770	1630
1DK1122-1VH12-0FA2	280	380	63	292	3845	2750	2660	2102	200	200	925	1770	1630
1DK1142-1JH12-0FA2	300	380	70	314	3817	2586	2491	1696	400	365	1065	1970	1830
1DK1142-1NH12-0FA2	320	380	70	334	3817	2586	2491	1696	400	365	1065	1970	1830
1DK1142-1SH12-0FA2	330	450	70	344	4119	2818	2723	1928	400	365	1135	1970	1830
1DK1142-1XH12-0FA2	330	450	70	344	4351	3050	2955	2160	400	365	1135	1970	1830

Article No. (repeated)	Dimensions								Weight kg
	HA mm	AA mm	H mm	HB mm	HD ₁ mm	AC ₁ mm	AD ₁ mm	Ø K mm	
12-pole, 6.3 kV, 50 Hz									
1DK1122-1AH12-0FA2	50	170	710	1460	2270	940	1020	39	13717
1DK1122-1DH12-0FA2	50	170	710	1460	2270	940	1020	39	14341
1DK1122-1GH12-0FA2	50	170	710	1460	2270	940	1020	39	14994
1DK1122-1MH12-0FA2	50	170	710	1460	2270	940	1020	39	16878
1DK1122-1RH12-0FA2	50	170	710	1460	2270	940	1020	39	17604
1DK1122-1VH12-0FA2	50	170	710	1460	2270	940	1020	39	18387
1DK1142-1JH12-0FA2	60	200	800	1630	2330	1050	1825	39	22838
1DK1142-1NH12-0FA2	60	200	800	1630	2330	1050	1825	39	23770
1DK1142-1SH12-0FA2	60	200	800	1630	2330	1050	1825	39	25187
1DK1142-1XH12-0FA2	60	200	800	1630	2330	1050	1825	39	26909

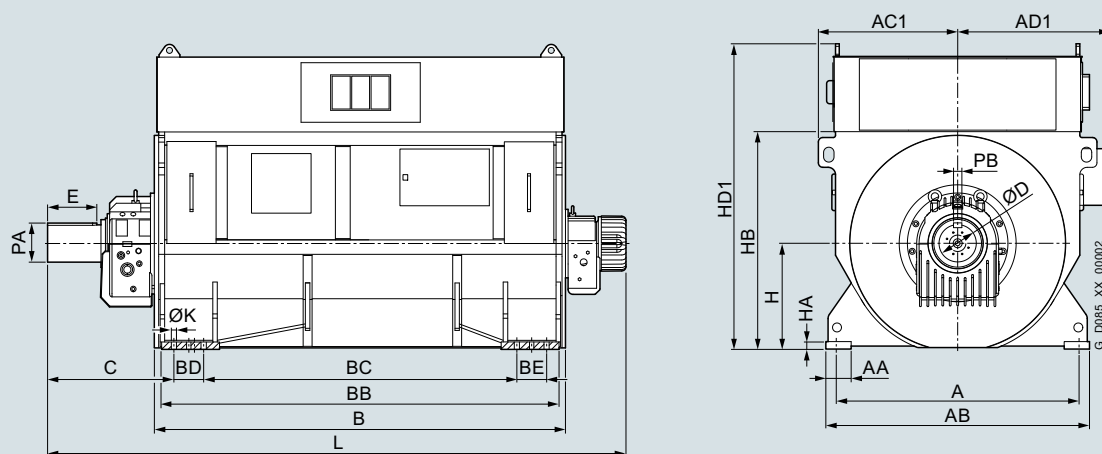
Dimensional drawings (continued)


Article No.	Dimensions												
	Ø D	E	PB	PA	L	B	BB	BC	BD	BE	C	AB	A
	mm	mm	mm	mm	mm	mm	mm	mm	mm	mm	mm	mm	mm
1DK1 (Z ventilation), sleeve bearing													
14-pole, 6.3 kV, 50 Hz													
1DK1142-1GH14-0FA2	290	380	63	302	3817	2586	2491	1696	400	365	1065	1970	1830
1DK1142-1NH14-0FA2	300	380	70	314	3817	2586	2491	1696	400	365	1065	1970	1830
1DK1142-1XH14-0FA2	320	380	70	334	4281	3050	2955	2160	400	365	1065	1970	1830
1DK1142-2CH14-0FA2	330	450	70	344	4351	3050	2955	2160	400	365	1135	1970	1830
Article No. (repeated)	Dimensions									Weight			
	HA	AA	H	HB	HD ₁	AC ₁	AD ₁	Ø K	kg				
	mm	mm	mm	mm	mm	mm	mm	mm	mm				
14-pole, 6.3 kV, 50 Hz													
1DK1142-1GH14-0FA2	60	200	800	1630	2330	1050	1825	39	22257				
1DK1142-1NH14-0FA2	60	200	800	1630	2330	1050	1825	39	23856				
1DK1142-1XH14-0FA2	60	200	800	1630	2330	1050	1825	39	26890				
1DK1142-2CH14-0FA2	60	200	800	1630	2330	1050	1825	39	27898				

Technical data

Industrial/Marine applications

IC01 cooling method

Dimensional drawings

Article No.	Dimensions												
	Ø D	E	PB	PA	L	B	BB	BC	BD	BE	C	AB	A
	mm	mm	mm	mm	mm	mm	mm	mm	mm	mm	mm	mm	mm

1DK1 (Z ventilation), sleeve bearing

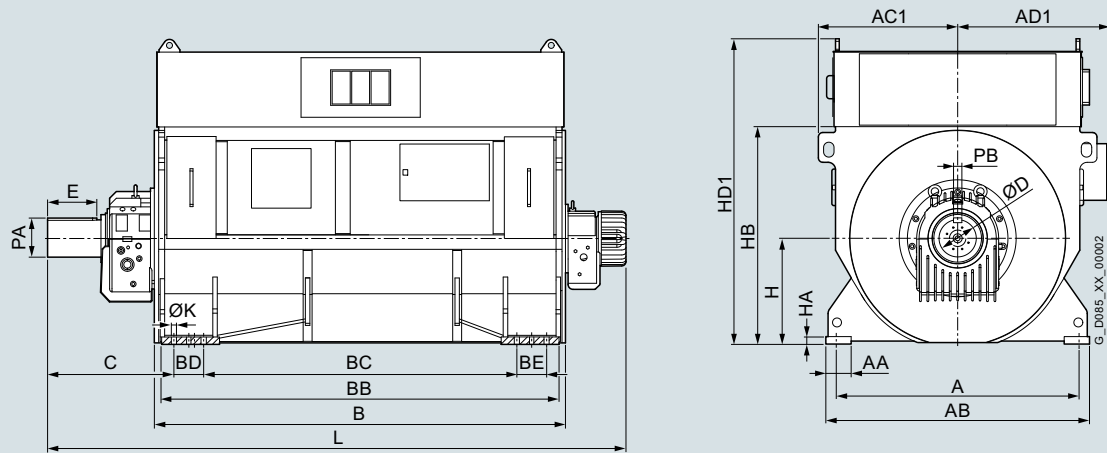
4-pole, 6.6 kV, 60 Hz

1DK1082-ORK04-0FA2	180	240	45	190	2785	1815	1745	1450	-	-	800	1340	1200
1DK1082-OTK04-0FA2	180	240	45	190	2785	1815	1745	1450	-	-	800	1340	1200
1DK1082-OWK04-0FA2	180	240	45	190	2985	2015	1945	1650	-	-	800	1340	1200
1DK1082-1AK04-0FA2	190	280	45	200	2995	2015	1945	1650	-	-	800	1340	1200

Article No. (repeated)	Dimensions									Weight
	HA	AA	H	HB	HD ₁	AC ₁	AD ₁	Ø K	kg	
	mm	mm	mm	mm	mm	mm	mm	mm		

4-pole, 6.6 kV, 60 Hz

1DK1082-ORK04-0FA2	45	150	560	1170	2127	720	720	48	7061
1DK1082-OTK04-0FA2	45	150	560	1170	2127	720	720	48	7357
1DK1082-OWK04-0FA2	45	150	560	1170	2127	720	720	48	7935
1DK1082-1AK04-0FA2	45	150	560	1170	2127	720	720	48	8366

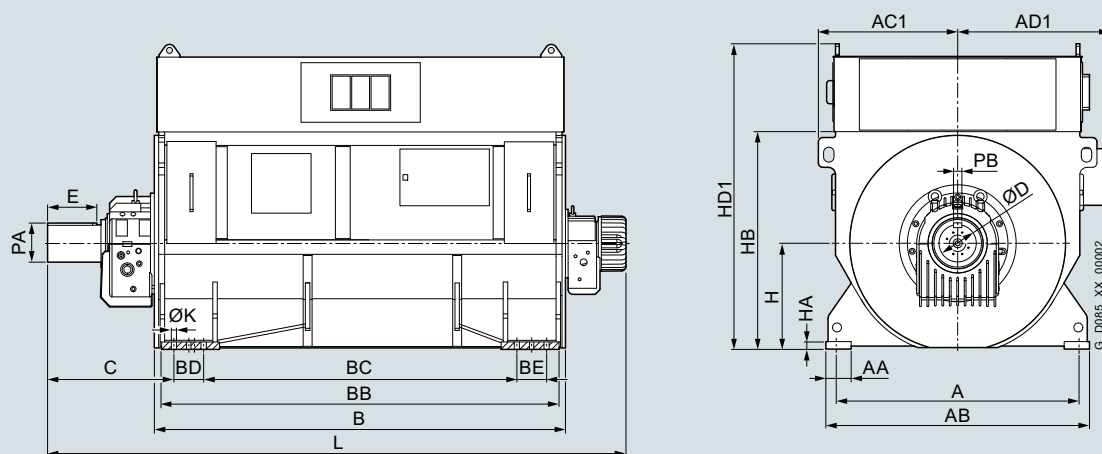
Dimensional drawings (continued)


Article No.	Dimensions												
	Ø D mm	E mm	PB mm	PA mm	L mm	B mm	BB mm	BC mm	BD mm	BE mm	C mm	AB mm	A mm
1DK1 (Z ventilation), sleeve bearing													
6-pole, 6.6 kV, 60 Hz													
1DK1080-0UK06-0FA2	180	240	45	190	2816	1815	1745	1450	–	–	831	1340	1200
1DK1082-1AK06-0FA2	190	280	45	200	3016	2015	1945	1650	–	–	831	1340	1200
1DK1082-1GK06-0FA2	190	280	45	200	3016	2015	1945	1650	–	–	831	1340	1200
1DK1102-0VK06-0FA2	210	280	50	227	3579	2390	2280	1935	–	–	934	1670	1520
1DK1102-0YK06-0FA2	220	280	50	237	3579	2390	2280	1935	–	–	934	1670	1520
1DK1102-1CK06-0FA2	230	330	50	247	3629	2390	2280	1935	–	–	984	1670	1520
1DK1102-1HK06-0FA2	240	330	56	260	3629	2390	2280	1935	–	–	984	1670	1520
1DK1102-1NK06-0FA2	240	330	56	260	3874	2635	2525	2180	–	–	984	1670	1520
Article No. (repeated)	Dimensions								Weight kg				
	HA mm	AA mm	H mm	HB mm	HD ₁ mm	AC ₁ mm	AD ₁ mm	Ø K mm					
6-pole, 6.6 kV, 60 Hz													
1DK1080-0UK06-0FA2	45	150	560	1170	2127	720	720	48	7537				
1DK1082-1AK06-0FA2	45	150	560	1170	2127	720	720	48	8326				
1DK1082-1GK06-0FA2	45	150	560	1170	2127	720	720	48	9127				
1DK1102-0VK06-0FA2	45	170	630	1300	2300	855	950	48	11434				
1DK1102-0YK06-0FA2	45	170	630	1300	2300	855	950	48	11917				
1DK1102-1CK06-0FA2	45	170	630	1300	2300	855	950	48	12430				
1DK1102-1HK06-0FA2	45	170	630	1300	2300	855	950	48	13253				
1DK1102-1NK06-0FA2	45	170	630	1300	2300	855	950	48	14468				

Technical data

Industrial/Marine applications

IC01 cooling method

Dimensional drawings (continued)

Article No.	Dimensions												
	Ø D	E	PB	PA	L	B	BB	BC	BD	BE	C	AB	A
	mm	mm	mm	mm	mm	mm	mm	mm	mm	mm	mm	mm	mm

1DK1 (Z ventilation), sleeve bearing

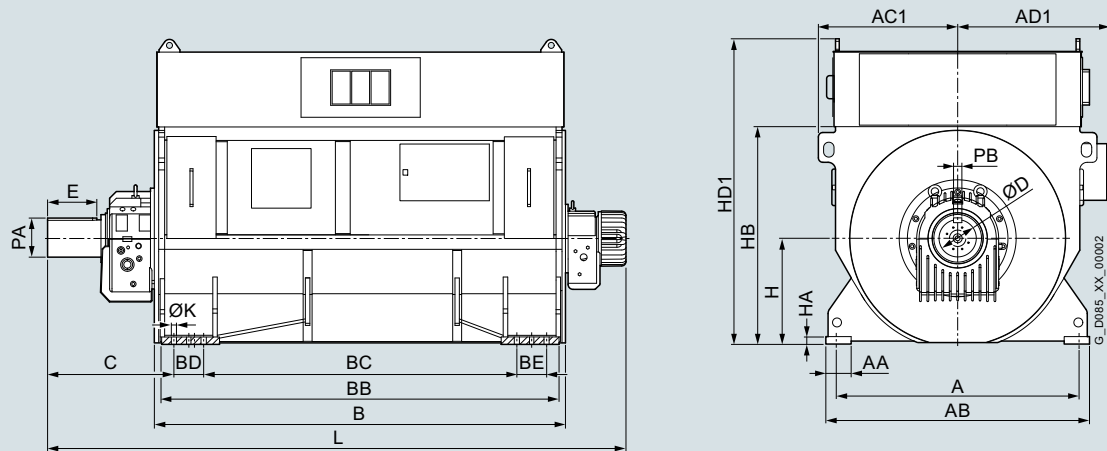
6-pole, 6.6 kV, 60 Hz (continued)

1DK1122-1DK06-0FA2	250	330	56	262	3505	2460	2370	1812	200	200	885	1770	1630
1DK1122-1KK06-0FA2	280	380	63	292	3845	2750	2660	2102	200	200	935	1770	1630
1DK1122-1TK06-0FA2	280	380	63	292	4019	2924	2834	2276	200	200	935	1770	1630
1DK1142-1FK06-0FA2	300	380	70	314	3817	2586	2491	1696	400	365	1065	1970	1830
1DK1142-1KK06-0FA2	320	380	70	334	3817	2586	2491	1696	400	365	1065	1970	1830
1DK1142-1PK06-0FA2	330	450	70	344	4119	2818	2723	1928	400	365	1135	1970	1830
1DK1142-1VK06-0FA2	340	450	80	355	4119	2818	2723	1928	400	365	1135	1970	1830

Article No. (repeated)	Dimensions								Weight
	HA	AA	H	HB	HD ₁	AC ₁	AD ₁	Ø K	
	mm	mm	mm	mm	mm	mm	mm	mm	kg

6-pole, 6.6 kV, 60 Hz

1DK1122-1DK06-0FA2	50	170	710	1460	2270	940	1020	39	14994
1DK1122-1KK06-0FA2	50	170	710	1460	2270	940	1020	39	16930
1DK1122-1TK06-0FA2	50	170	710	1460	2270	940	1020	39	19057
1DK1142-1FK06-0FA2	60	200	800	1630	2330	1050	1825	39	21945
1DK1142-1KK06-0FA2	60	200	800	1630	2330	1050	1825	39	22939
1DK1142-1PK06-0FA2	60	200	800	1630	2330	1050	1825	39	24629
1DK1142-1VK06-0FA2	60	200	800	1630	2330	1050	1825	39	26075

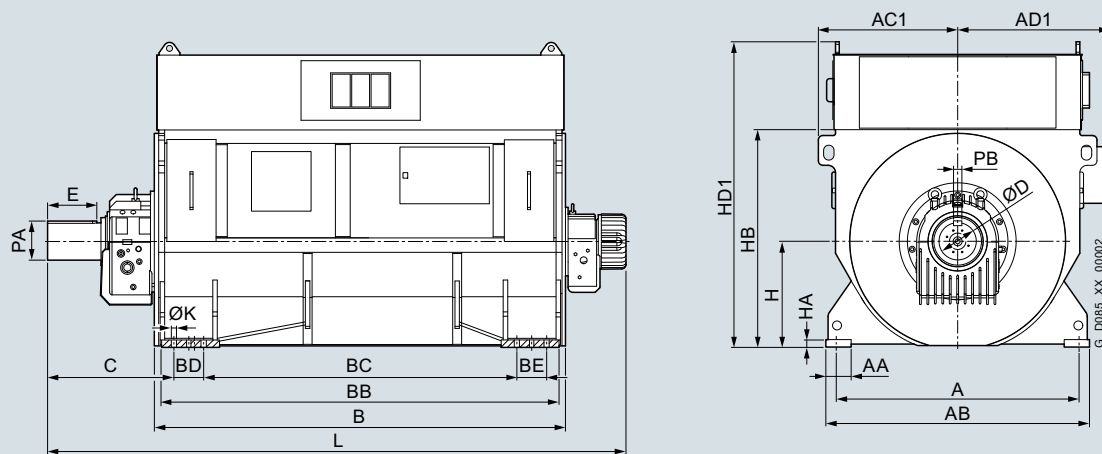
Dimensional drawings (continued)


Article No.	Dimensions												
	Ø D	E	PB	PA	L	B	BB	BC	BD	BE	C	AB	A
	mm	mm	mm	mm	mm	mm	mm	mm	mm	mm	mm	mm	mm
1DK1 (Z ventilation), sleeve bearing													
8-pole, 6.6 kV, 60 Hz													
1DK1082-OTK08-0FA2	180	240	45	190	2816	1815	1745	1450	–	–	831	1340	1200
1DK1082-1AK08-0FA2	190	280	45	200	2826	1815	1745	1450	–	–	831	1340	1200
1DK1082-1EK08-0FA2	190	280	45	210	3026	2015	1945	1650	–	–	831	1340	1200
1DK1102-OTK08-0FA2	210	280	50	227	3579	2390	2280	1935	–	–	934	1670	1520
1DK1102-0WK08-0FA2	210	280	50	227	3579	2390	2280	1935	–	–	934	1670	1520
1DK1102-1AK08-0FA2	230	330	50	247	3629	2390	2280	1935	–	–	984	1670	1520
1DK1102-1DK08-0FA2	230	330	50	247	3629	2390	2280	1935	–	–	984	1670	1520
1DK1102-1JK08-0FA2	240	330	56	260	3629	2390	2280	1935	–	–	984	1670	1520
1DK1102-1PK08-0FA2	250	330	56	270	3874	2635	2525	2180	–	–	984	1670	1520

Article No. (repeated)	Dimensions								Weight
	HA	AA	H	HB	HD ₁	AC ₁	AD ₁	Ø K	
	mm	mm	mm	mm	mm	mm	mm	mm	kg
8-pole, 6.6 kV, 60 Hz									
1DK1082-OTK08-0FA2	45	150	560	1170	2127	720	720	48	7400
1DK1082-1AK08-0FA2	45	150	560	1170	2127	720	720	48	8240
1DK1082-1EK08-0FA2	45	150	560	1170	2127	720	720	48	8939
1DK1102-OTK08-0FA2	45	170	630	1300	2300	855	950	48	11036
1DK1102-0WK08-0FA2	45	170	630	1300	2300	855	950	48	11543
1DK1102-1AK08-0FA2	45	170	630	1300	2300	855	950	48	12023
1DK1102-1DK08-0FA2	45	170	630	1300	2300	855	950	48	12537
1DK1102-1JK08-0FA2	45	170	630	1300	2300	855	950	48	13432
1DK1102-1PK08-0FA2	45	170	630	1300	2300	855	950	48	14614

Technical data

Industrial/Marine applications

IC01 cooling method**Dimensional drawings** (continued)

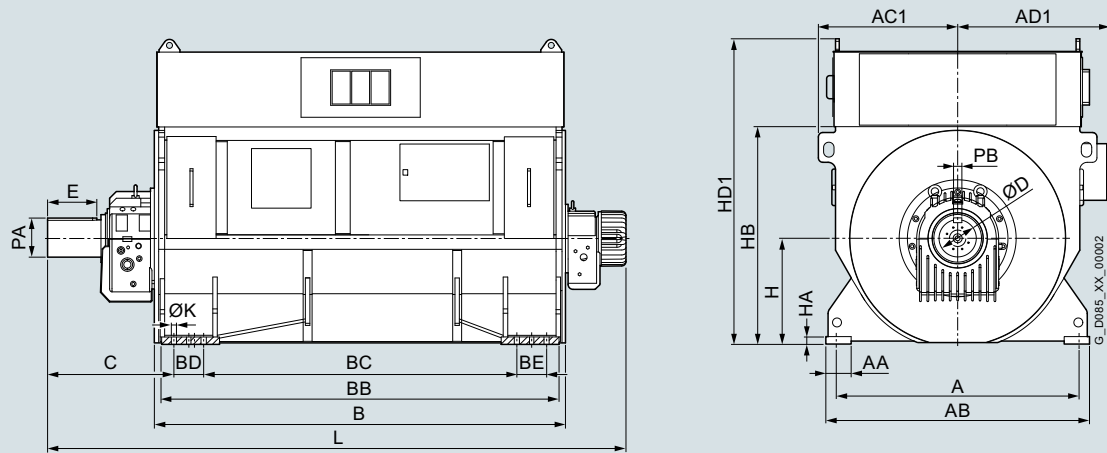
Article No.	Dimensions												
	Ø D mm	E mm	PB mm	PA mm	L mm	B mm	BB mm	BC mm	BD mm	BE mm	C mm	AB mm	A mm

1DK1 (Z ventilation), sleeve bearing

8-pole, 6.6 kV, 60 Hz (continued)

1DK1122-1FK08-0FA2	260	330	56	272	3505	2460	2370	1812	200	200	885	1770	1630
1DK1122-1JK08-0FA2	270	380	63	282	3845	2750	2660	2102	200	200	935	1770	1630
1DK1122-1PK08-0FA2	280	380	63	292	3845	2750	2660	2102	200	200	935	1770	1630
1DK1122-1VK08-0FA2	280	380	63	292	4019	2924	2834	2276	200	200	935	1770	1630
1DK1122-2CK08-0FA2	280	380	63	292	4019	2924	2834	2276	200	200	935	1770	1630
1DK1142-1JK08-0FA2	320	380	70	334	3817	2586	2491	1696	400	365	1065	1970	1830
1DK1142-1LK08-0FA2	330	450	70	344	3887	2586	2491	1696	400	365	1135	1970	1830
1DK1142-1PK08-0FA2	330	450	70	344	4119	2818	2723	1928	400	365	1135	1970	1830
1DK1142-1TK08-0FA2	340	450	80	355	4119	2818	2723	1928	400	365	1135	1970	1830
1DK1142-1XK08-0FA2	340	450	80	355	4351	3050	2955	2160	400	365	1135	1970	1830
1DK1142-2EK08-0FA2	350	450	80	365	4351	3050	2955	2160	400	365	1135	1970	1830

Article No. (repeated)	Dimensions								Weight kg
	HA mm	AA mm	H mm	HB mm	HD ₁ mm	AC ₁ mm	AD ₁ mm	Ø K mm	
8-pole, 6.6 kV, 60 Hz									
1DK1122-1FK08-0FA2	50	170	710	1460	2270	940	1020	39	15068
1DK1122-1JK08-0FA2	50	170	710	1460	2270	940	1020	39	16449
1DK1122-1PK08-0FA2	50	170	710	1460	2270	940	1020	39	17415
1DK1122-1VK08-0FA2	50	170	710	1460	2270	940	1020	39	19138
1DK1122-2CK08-0FA2	50	170	710	1460	2270	940	1020	39	20410
1DK1142-1JK08-0FA2	60	200	800	1630	2330	1050	1825	39	22458
1DK1142-1LK08-0FA2	60	200	800	1630	2330	1050	1825	39	23002
1DK1142-1PK08-0FA2	60	200	800	1630	2330	1050	1825	39	24327
1DK1142-1TK08-0FA2	60	200	800	1630	2330	1050	1825	39	25306
1DK1142-1XK08-0FA2	60	200	800	1630	2330	1050	1825	39	26838
1DK1142-2EK08-0FA2	60	200	800	1630	2330	1050	1825	39	28336

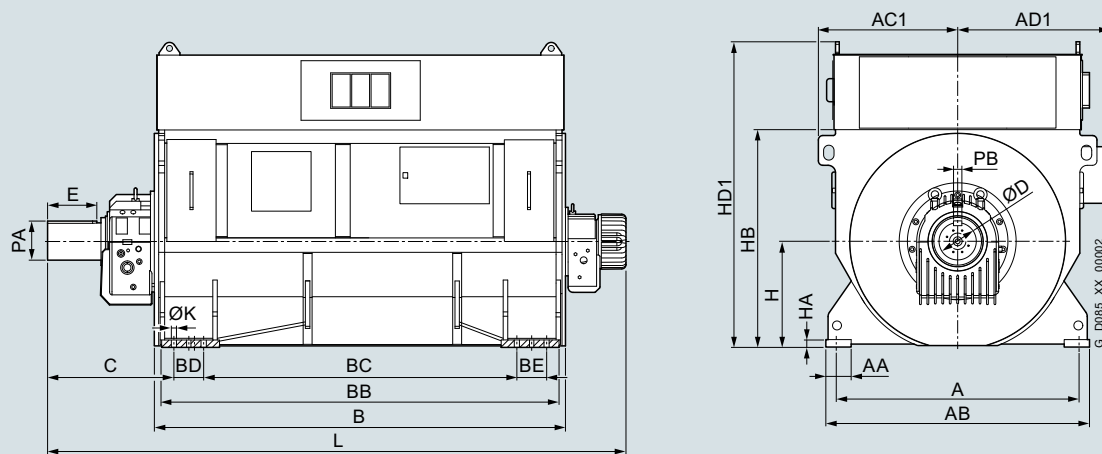
Dimensional drawings (continued)


Article No.	Dimensions												
	Ø D mm	E mm	PB mm	PA mm	L mm	B mm	BB mm	BC mm	BD mm	BE mm	C mm	AB mm	A mm
1DK1 (Z ventilation), sleeve bearing													
10-pole, 6.6 kV, 60 Hz													
1DK1102-OSK10-0FA2	210	280	50	227	3579	2390	2280	1935	–	–	934	1670	1520
1DK1102-0VK10-0FA2	210	280	50	227	3579	2390	2280	1935	–	–	934	1670	1520
1DK1102-0YK10-0FA2	220	280	50	237	3579	2390	2280	1935	–	–	934	1670	1520
1DK1102-1EK10-0FA2	230	330	50	247	3629	2390	2280	1935	–	–	984	1670	1520
1DK1102-1MK10-0FA2	240	330	56	260	3629	2390	2280	1935	–	–	984	1670	1520
1DK1102-1RK10-0FA2	250	330	56	270	3874	2635	2525	2180	–	–	984	1670	1520
Article No. (repeated)	Dimensions								Weight				
	HA mm	AA mm	H mm	HB mm	HD ₁ mm	AC ₁ mm	AD ₁ mm	Ø K mm	kg				
10-pole, 6.6 kV, 60 Hz													
1DK1102-OSK10-0FA2	45	170	630	1300	2300	855	950	48	10696				
1DK1102-0VK10-0FA2	45	170	630	1300	2300	855	950	48	11197				
1DK1102-0YK10-0FA2	45	170	630	1300	2300	855	950	48	11672				
1DK1102-1EK10-0FA2	45	170	630	1300	2300	855	950	48	12405				
1DK1102-1MK10-0FA2	45	170	630	1300	2300	855	950	48	13551				
1DK1102-1RK10-0FA2	45	170	630	1300	2300	855	950	48	14588				

Technical data

Industrial/Marine applications

IC01 cooling method

Dimensional drawings (continued)

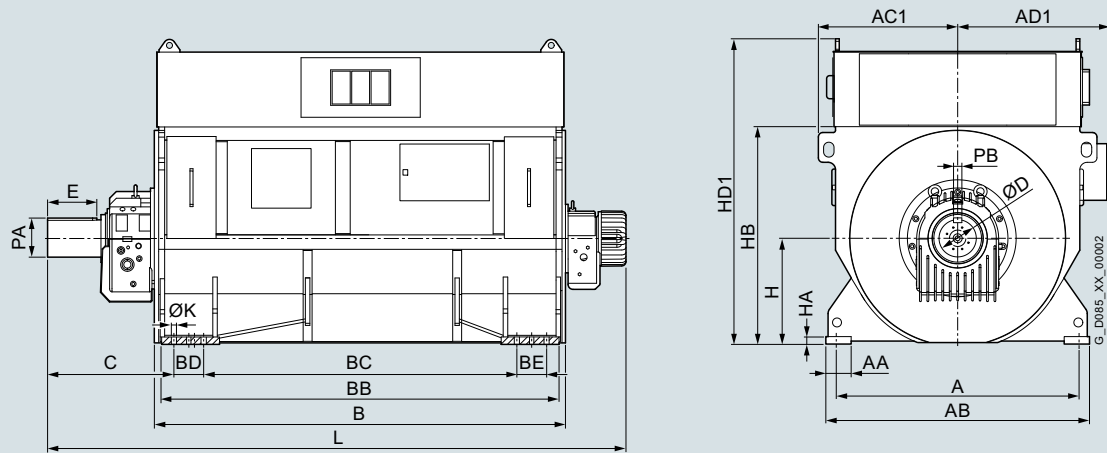
Article No.	Dimensions												
	Ø D	E	PB	PA	L	B	BB	BC	BD	BE	C	AB	A
	mm	mm	mm	mm	mm	mm	mm	mm	mm	mm	mm	mm	mm

1DK1 (Z ventilation), sleeve bearing

10-pole, 6.6 kV, 60 Hz (continued)

1DK1122-1JK10-0FA2	260	330	56	272	3505	2460	2370	1812	200	200	875	1770	1630
1DK1122-1MK10-0FA2	280	380	63	292	3845	2750	2660	2102	200	200	925	1770	1630
1DK1122-1SK10-0FA2	280	380	63	292	3845	2750	2660	2102	200	200	925	1770	1630
1DK1122-1YK10-0FA2	280	380	63	292	4019	2924	2834	2276	200	200	925	1770	1630
1DK1142-1GK10-0FA2	300	380	70	314	3817	2586	2491	1696	400	365	1065	1970	1830
1DK1142-1LK10-0FA2	330	450	70	344	3887	2586	2491	1696	400	365	1135	1970	1830
1DK1142-1TK10-0FA2	330	450	70	344	4119	2818	2723	1928	400	365	1135	1970	1830
1DK1142-1XK10-0FA2	340	450	80	355	4351	3050	2955	2160	400	365	1135	1970	1830
1DK1142-2EK10-0FA2	340	450	80	355	4351	3050	2955	2160	400	365	1135	1970	1830

Article No. (repeated)	Dimensions								Weight
	HA	AA	H	HB	HD ₁	AC ₁	AD ₁	Ø K	
	mm	mm	mm	mm	mm	mm	mm	mm	kg
10-pole, 6.6 kV, 60 Hz									
1DK1122-1JK10-0FA2	50	170	710	1460	2270	940	1020	39	15983
1DK1122-1MK10-0FA2	50	170	710	1460	2270	940	1020	39	16953
1DK1122-1SK10-0FA2	50	170	710	1460	2270	940	1020	39	18016
1DK1122-1YK10-0FA2	50	170	710	1460	2270	940	1020	39	19666
1DK1142-1GK10-0FA2	60	200	800	1630	2330	1050	1825	39	22086
1DK1142-1LK10-0FA2	60	200	800	1630	2330	1050	1825	39	23122
1DK1142-1TK10-0FA2	60	200	800	1630	2330	1050	1825	39	25299
1DK1142-1XK10-0FA2	60	200	800	1630	2330	1050	1825	39	26655
1DK1142-2EK10-0FA2	60	200	800	1630	2330	1050	1825	39	28204

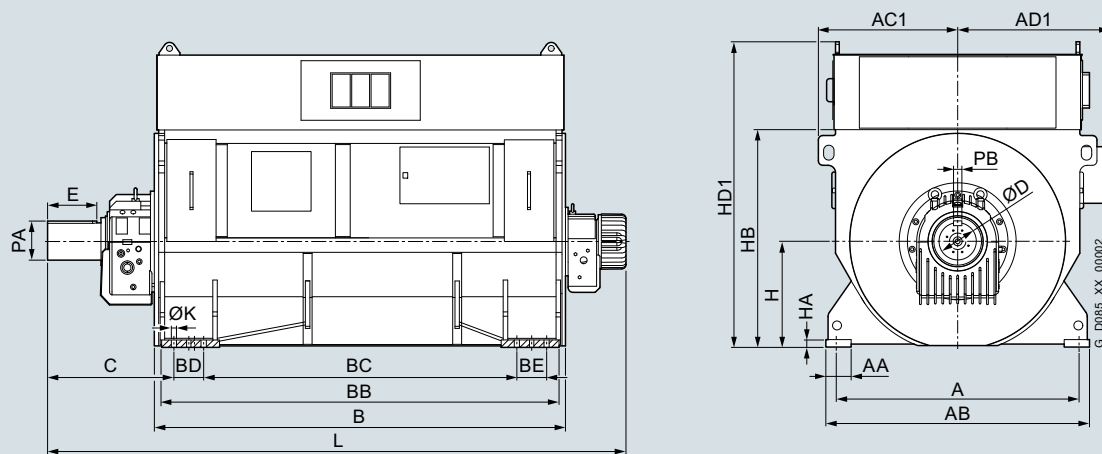
Dimensional drawings (continued)


Article No.	Dimensions												
	Ø D mm	E mm	PB mm	PA mm	L mm	B mm	BB mm	BC mm	BD mm	BE mm	C mm	AB mm	A mm
1DK1 (Z ventilation), sleeve bearing													
12-pole, 6.6 kV, 60 Hz													
1DK1122-1AK12-0FA2	250	330	56	262	3505	2460	2370	1812	200	200	875	1770	1630
1DK1122-1DK12-0FA2	250	330	56	262	3505	2460	2370	1812	200	200	875	1770	1630
1DK1122-1GK12-0FA2	260	330	56	272	3505	2460	2370	1812	200	200	875	1770	1630
1DK1122-1MK12-0FA2	280	380	63	292	3845	2750	2660	2102	200	200	925	1770	1630
1DK1122-1RK12-0FA2	280	380	63	292	3845	2750	2660	2102	200	200	925	1770	1630
1DK1122-1VK12-0FA2	280	380	63	292	3845	2750	2660	2102	200	200	925	1770	1630
1DK1142-1JK12-0FA2	300	380	70	314	3817	2586	2491	1696	400	365	1065	1970	1830
1DK1142-1NK12-0FA2	320	380	70	334	3817	2586	2491	1696	400	365	1065	1970	1830
1DK1142-1SK12-0FA2	330	450	70	344	4119	2818	2723	1928	400	365	1135	1970	1830
1DK1142-1XK12-0FA2	330	450	70	344	4351	3050	2955	2160	400	365	1135	1970	1830

Article No. (repeated)	Dimensions								Weight kg
	HA mm	AA mm	H mm	HB mm	HD ₁ mm	AC ₁ mm	AD ₁ mm	Ø K mm	
12-pole, 6.6 kV, 60 Hz									
1DK1122-1AK12-0FA2	50	170	710	1460	2270	940	1020	39	14063
1DK1122-1DK12-0FA2	50	170	710	1460	2270	940	1020	39	14698
1DK1122-1GK12-0FA2	50	170	710	1460	2270	940	1020	39	15320
1DK1122-1MK12-0FA2	50	170	710	1460	2270	940	1020	39	16789
1DK1122-1RK12-0FA2	50	170	710	1460	2270	940	1020	39	17641
1DK1122-1VK12-0FA2	50	170	710	1460	2270	940	1020	39	18354
1DK1142-1JK12-0FA2	60	200	800	1630	2330	1050	1825	39	22754
1DK1142-1NK12-0FA2	60	200	800	1630	2330	1050	1825	39	23768
1DK1142-1SK12-0FA2	60	200	800	1630	2330	1050	1825	39	25206
1DK1142-1XK12-0FA2	60	200	800	1630	2330	1050	1825	39	26940

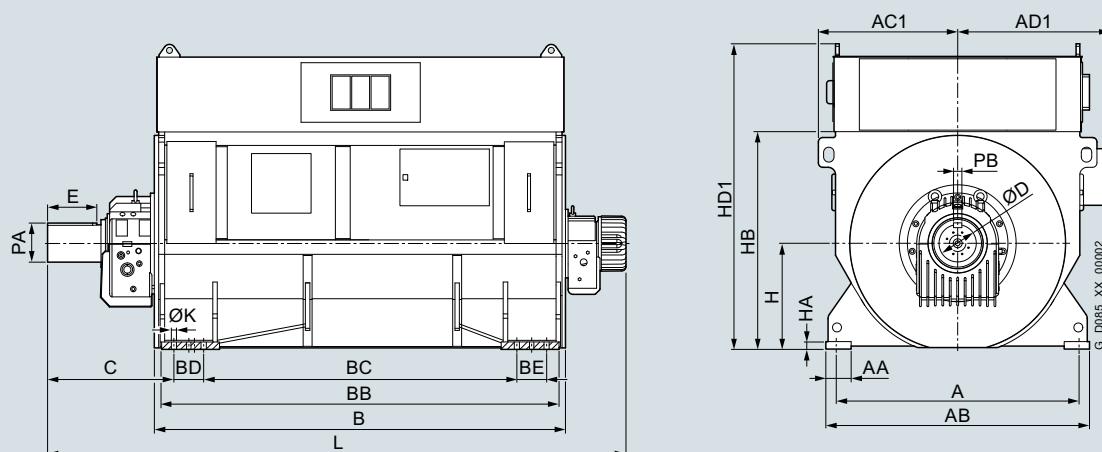
Technical data

Industrial/Marine applications

IC01 cooling method**Dimensional drawings** (continued)

Article No.	Dimensions												
	Ø D mm	E mm	PB mm	PA mm	L mm	B mm	BB mm	BC mm	BD mm	BE mm	C mm	AB mm	A mm
1DK1 (Z ventilation), sleeve bearing													
14-pole, 6.6 kV, 60 Hz													
1DK1122-1DK14-0FA2	230	330	50	241	3505	2460	2370	1812	200	200	875	1770	1630
1DK1122-1JK14-0FA2	240	330	56	252	3505	2460	2370	1812	200	200	875	1770	1630
1DK1122-1RK14-0FA2	240	330	56	252	3795	2750	2660	2102	200	200	875	1770	1630
1DK1122-1XK14-0FA2	240	330	56	252	3795	2750	2660	2102	200	200	875	1770	1630
1DK1142-1GK14-0FA2	290	380	63	302	3817	2586	2491	1696	400	365	1065	1970	1830
1DK1142-1NK14-0FA2	300	380	70	314	3817	2586	2491	1696	400	365	1065	1970	1830
1DK1142-1XK14-0FA2	330	450	70	344	3887	2586	2491	1696	400	365	1135	1970	1830
1DK1142-2CK14-0FA2	330	450	70	344	4351	3050	2955	2160	400	365	1135	1970	1830

Article No. (repeated)	Dimensions								Weight kg
	HA mm	AA mm	H mm	HB mm	HD ₁ mm	AC ₁ mm	AD ₁ mm	Ø K mm	
14-pole, 6.6 kV, 60 Hz									
1DK1122-1DK14-0FA2	50	170	710	1460	2270	940	1020	39	14266
1DK1122-1JK14-0FA2	50	170	710	1460	2270	940	1020	39	15284
1DK1122-1RK14-0FA2	50	170	710	1460	2270	940	1020	39	17390
1DK1122-1XK14-0FA2	50	170	710	1460	2270	940	1020	39	18455
1DK1142-1GK14-0FA2	60	200	800	1630	2330	1050	1825	39	22341
1DK1142-1NK14-0FA2	60	200	800	1630	2330	1050	1825	39	23791
1DK1142-1XK14-0FA2	60	200	800	1630	2330	1050	1825	39	26034
1DK1142-2CK14-0FA2	60	200	800	1630	2330	1050	1825	39	27924

Dimensional drawings


Article No.	Dimensions												
	Ø D	E	PB	PA	L	B	BB	BC	BD	BE	C	AB	A
	mm	mm	mm	mm	mm	mm	mm	mm	mm	mm	mm	mm	mm

1DK1 (Z ventilation), sleeve bearing

4-pole, 11 kV, 50 Hz

1DK1082-0TN04-0FA2	190	280	45	200	2779	1810	1745	1450	–	–	697	1340	1200
1DK1082-0WN04-0FA2	190	280	45	200	2979	2010	1945	1650	–	–	697	1340	1200
1DK1082-1AN04-0FA2	190	280	45	200	2979	2010	1945	1650	–	–	697	1340	1200
1DK1082-1DN04-0FA2	190	280	45	200	2979	2010	1945	1650	–	–	697	1340	1200

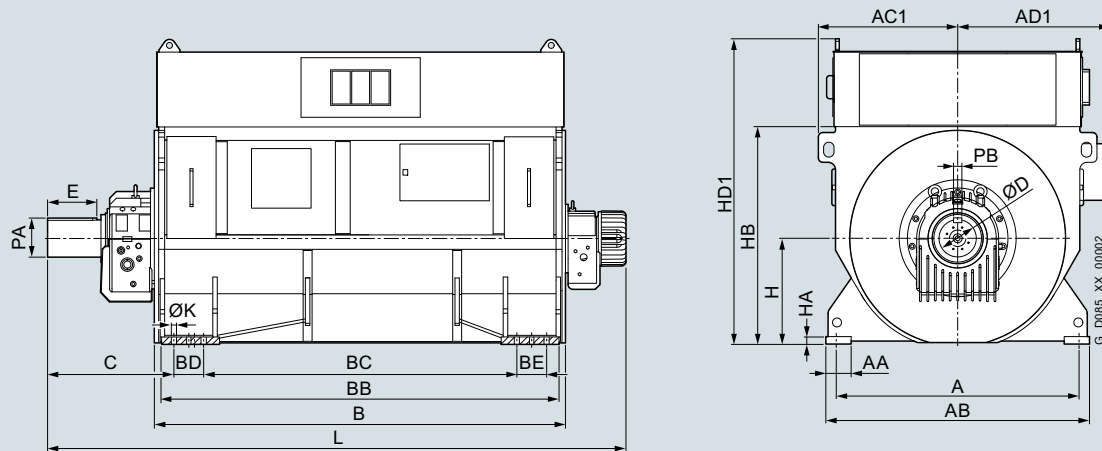
Article No. (repeated)	Dimensions									Weight
	HA	AA	H	HB	HD ₁	AC ₁	AD ₁	Ø K	kg	
	mm	mm	mm	mm	mm	mm	mm	mm		

4-pole, 11 kV, 50 Hz

1DK1082-0TN04-0FA2	45	150	560	1160	2117	720	720	48	7211
1DK1082-0WN04-0FA2	45	150	560	1160	2117	720	720	48	7791
1DK1082-1AN04-0FA2	45	150	560	1160	2117	720	720	48	8224
1DK1082-1DN04-0FA2	45	150	560	1160	2117	720	720	48	8622

Technical data

Industrial/Marine applications

IC01 cooling method**Dimensional drawings** (continued)

Article No.	Dimensions												
	Ø D mm	E mm	PB mm	PA mm	L mm	B mm	BB mm	BC mm	BD mm	BE mm	C mm	AB mm	A mm

1DK1 (Z ventilation), sleeve bearing

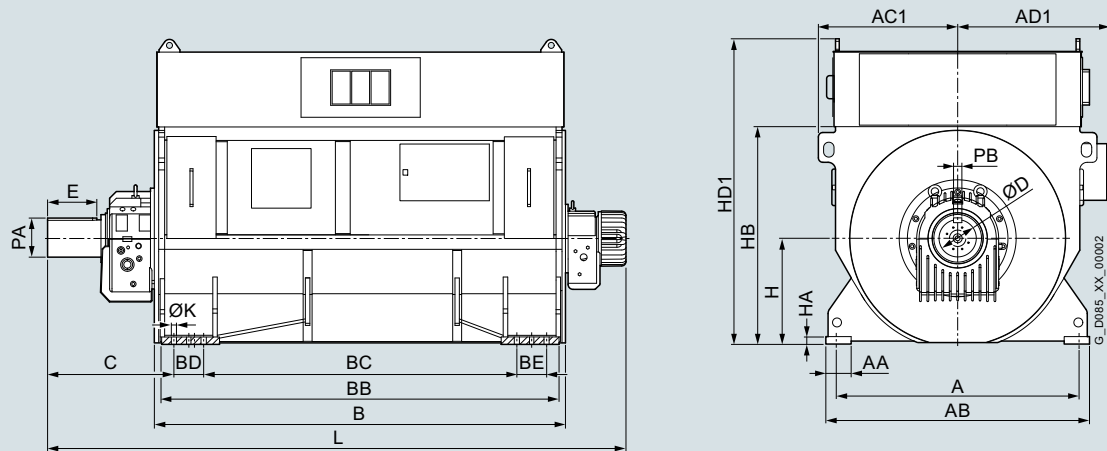
6-pole, 11 kV, 50 Hz

1DK1082-0UN06-0FA2	190	280	45	200	2815	1810	1745	1450	-	-	733	1340	1200
1DK1082-1AN06-0FA2	190	280	45	200	3015	2010	1945	1650	-	-	733	1340	1200
1DK1102-0VN06-0FA2	200	280	50	227	3579	2390	2280	1935	-	-	934	1670	1520
1DK1102-0YN06-0FA2	210	280	50	227	3579	2390	2280	1935	-	-	934	1670	1520
1DK1102-1CN06-0FA2	220	280	50	247	3579	2390	2280	1935	-	-	934	1670	1520
1DK1102-1HN06-0FA2	220	280	50	247	3579	2390	2280	1935	-	-	934	1670	1520
1DK1102-1NN06-0FA2	230	330	50	260	3874	2635	2525	2180	-	-	984	1670	1520
1DK1122-1DN06-0FA2	250	330	56	262	3505	2460	2370	1812	200	200	885	1770	1630
1DK1122-1KN06-0FA2	280	380	63	292	3845	2750	2660	2102	200	200	935	1770	1630
1DK1122-1TN06-0FA2	280	380	63	292	4019	2924	2834	2276	200	200	935	1770	1630
1DK1122-1WN06-0FA2	280	380	63	292	4019	2924	2834	2276	200	200	935	1770	1630

Article No. (repeated)	Dimensions								Weight kg
	HA mm	AA mm	H mm	HB mm	HD ₁ mm	AC ₁ mm	AD ₁ mm	Ø K mm	

6-pole, 11 kV, 50 Hz

1DK1082-0UN06-0FA2	45	150	560	1160	2117	720	720	48	7393
1DK1082-1AN06-0FA2	45	150	560	1160	2117	720	720	48	8264
1DK1102-0VN06-0FA2	45	170	630	1300	2300	855	950	48	11368
1DK1102-0YN06-0FA2	45	170	630	1300	2300	855	950	48	11845
1DK1102-1CN06-0FA2	45	170	630	1300	2300	855	950	48	12311
1DK1102-1HN06-0FA2	45	170	630	1300	2300	855	950	48	13110
1DK1102-1NN06-0FA2	45	170	630	1300	2300	855	950	48	14308
1DK1122-1DN06-0FA2	50	170	710	1460	2270	940	1020	39	14808
1DK1122-1KN06-0FA2	50	170	710	1460	2270	940	1020	39	16657
1DK1122-1TN06-0FA2	50	170	710	1460	2270	940	1020	39	18781
1DK1122-1WN06-0FA2	50	170	710	1460	2270	940	1020	39	19477

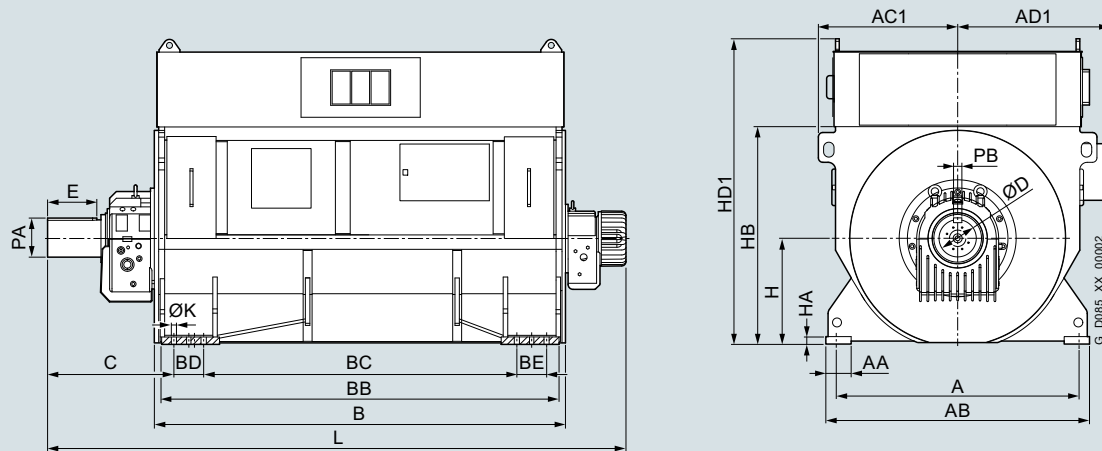
Dimensional drawings (continued)


Article No.	Dimensions												
	Ø D	E	PB	PA	L	B	BB	BC	BD	BE	C	AB	A
	mm	mm	mm	mm	mm	mm	mm	mm	mm	mm	mm	mm	mm
1DK1 (Z ventilation), sleeve bearing													
6-pole, 11 kV, 50 Hz (continued)													
1DK1142-1KN06-0FA2	320	380	70	334	3817	2586	2491	1696	400	365	1065	1970	1830
1DK1142-1PN06-0FA2	330	450	70	344	4119	2818	2723	1928	400	365	1135	1970	1830
1DK1142-1VN06-0FA2	340	450	80	355	4119	2818	2723	1928	400	365	1135	1970	1830
1DK1142-2BN06-0FA2	340	450	80	355	4351	3050	2955	2160	400	365	1135	1970	1830
Article No. (repeated)	Dimensions									Weight			
	HA	AA	H	HB	HD ₁	AC ₁	AD ₁	Ø K	kg				
	mm	mm	mm	mm	mm	mm	mm	mm	mm				
6-pole, 11 kV, 50 Hz													
1DK1142-1KN06-0FA2	60	200	800	1630	2330	1050	1825	39	22990				
1DK1142-1PN06-0FA2	60	200	800	1630	2330	1050	1825	39	24574				
1DK1142-1VN06-0FA2	60	200	800	1630	2330	1050	1825	39	26167				
1DK1142-2BN06-0FA2	60	200	800	1630	2330	1050	1825	39	27849				

Technical data

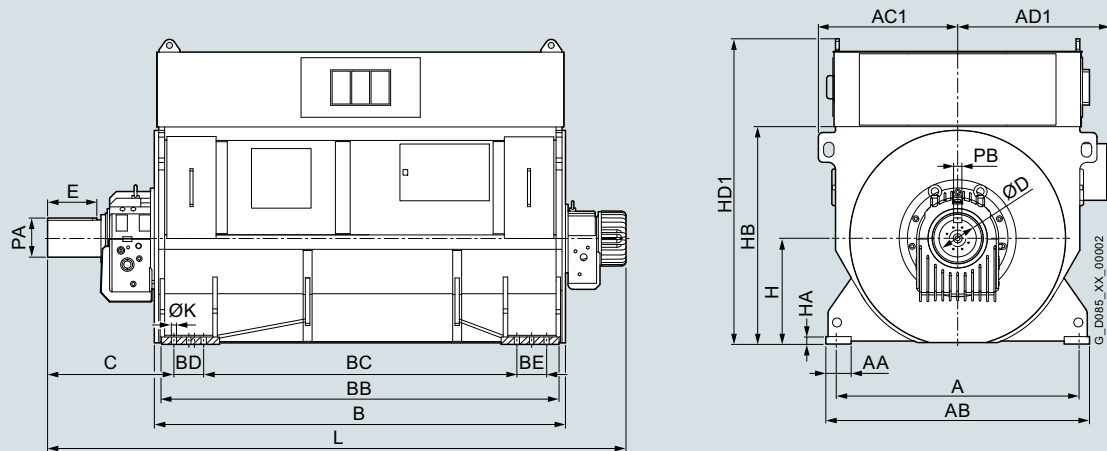
Industrial/Marine applications

IC01 cooling method

Dimensional drawings (continued)

Article No.	Dimensions												
	Ø D mm	E mm	PB mm	PA mm	L mm	B mm	BB mm	BC mm	BD mm	BE mm	C mm	AB mm	A mm
1DK1 (Z ventilation), sleeve bearing													
8-pole, 11 kV, 50 Hz													
1DK1082-OTN08-0FA2	190	280	45	200	2815	1810	1745	1450	-	-	733	1340	1200
1DK1082-1AN08-0FA2	190	280	45	200	3015	2010	1945	1650	-	-	733	1340	1200
1DK1082-1EN08-0FA2	190	280	45	200	3015	2010	1945	1650	-	-	733	1340	1200
1DK1102-OTN08-0FA2	200	280	45	217	3579	2390	2280	1935	-	-	934	1670	1520
1DK1102-0WN08-0FA2	210	280	50	227	3579	2390	2280	1935	-	-	934	1670	1520
1DK1102-1AN08-0FA2	210	280	50	227	3579	2390	2280	1935	-	-	934	1670	1520
1DK1102-1DN08-0FA2	210	280	50	227	3579	2390	2280	1935	-	-	934	1670	1520
1DK1102-1JN08-0FA2	230	330	56	247	3629	2390	2280	1935	-	-	984	1670	1520
1DK1102-1PN08-0FA2	240	330	56	260	3874	2635	2525	2180	-	-	984	1670	1520

Article No. (repeated)	Dimensions									Weight kg
	HA mm	AA mm	H mm	HB mm	HD ₁ mm	AC ₁ mm	AD ₁ mm	Ø K mm		
8-pole, 11 kV, 50 Hz										
1DK1082-OTN08-0FA2	45	150	560	1160	2117	720	720	48	7316	
1DK1082-1AN08-0FA2	45	150	560	1160	2117	720	720	48	8340	
1DK1082-1EN08-0FA2	45	150	560	1160	2117	720	720	48	8899	
1DK1102-OTN08-0FA2	45	170	630	1300	2300	855	950	48	10900	
1DK1102-0WN08-0FA2	45	170	630	1300	2300	855	950	48	11391	
1DK1102-1AN08-0FA2	45	170	630	1300	2300	855	950	48	11885	
1DK1102-1DN08-0FA2	45	170	630	1300	2300	855	950	48	12371	
1DK1102-1JN08-0FA2	45	170	630	1300	2300	855	950	48	13249	
1DK1102-1PN08-0FA2	45	170	630	1300	2300	855	950	48	14418	

Dimensional drawings (continued)


Article No.	Dimensions												
	Ø D	E	PB	PA	L	B	BB	BC	BD	BE	C	AB	A
	mm	mm	mm	mm	mm	mm	mm	mm	mm	mm	mm	mm	mm

1DK1 (Z ventilation), sleeve bearing

8-pole, 11 kV, 50 Hz (continued)

1DK1122-1FN08-0FA2	260	330	56	272	3505	2460	2370	1812	200	200	875	1770	1630
1DK1122-1JN08-0FA2	270	380	63	282	3845	2750	2660	2102	200	200	925	1770	1630
1DK1122-1PN08-0FA2	280	380	63	292	3845	2750	2660	2102	200	200	925	1770	1630
1DK1122-1VN08-0FA2	280	380	63	292	4019	2924	2834	2276	200	200	925	1770	1630
1DK1122-2CN08-0FA2	280	380	63	292	4019	2924	2834	2276	200	200	925	1770	1630
1DK1142-1JN08-0FA2	320	380	70	334	3817	2586	2491	1696	400	365	1065	1970	1830
1DK1142-1LN08-0FA2	330	450	70	344	3887	2586	2491	1696	400	365	1135	1970	1830
1DK1142-1PN08-0FA2	330	450	70	344	4119	2818	2723	1928	400	365	1135	1970	1830
1DK1142-1TN08-0FA2	330	450	70	344	4119	2818	2723	1928	400	365	1135	1970	1830
1DK1142-1XN08-0FA2	340	450	80	355	4351	3050	2955	2160	400	365	1135	1970	1830
1DK1142-2EN08-0FA2	350	450	80	365	4351	3050	2955	2160	400	365	1135	1970	1830

Article No. (repeated)	Dimensions								Weight
	HA	AA	H	HB	HD ₁	AC ₁	AD ₁	Ø K	
	mm	mm	mm	mm	mm	mm	mm	mm	kg

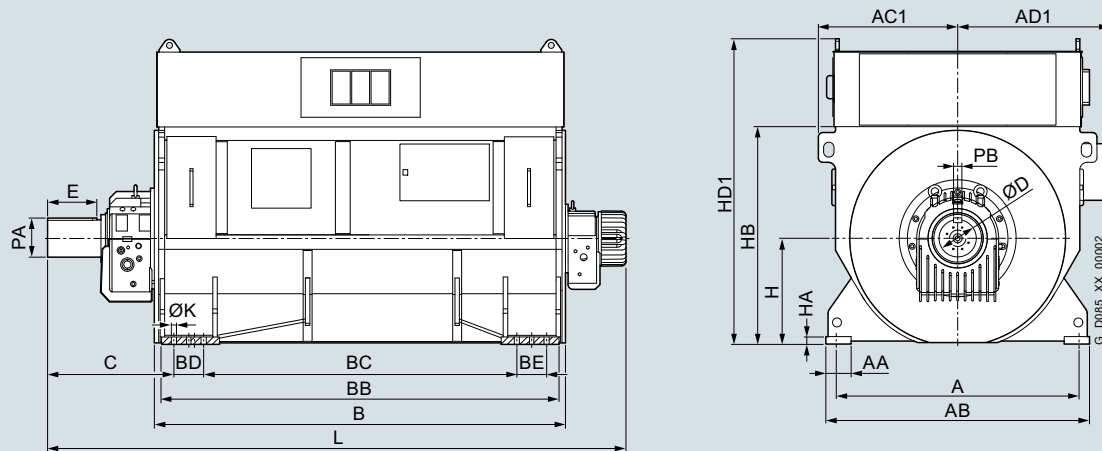
8-pole, 11 kV, 50 Hz

1DK1122-1FN08-0FA2	50	170	710	1460	2270	940	1020	39	14964
1DK1122-1JN08-0FA2	50	170	710	1460	2270	940	1020	39	16207
1DK1122-1PN08-0FA2	50	170	710	1460	2270	940	1020	39	17336
1DK1122-1VN08-0FA2	50	170	710	1460	2270	940	1020	39	18921
1DK1122-2CN08-0FA2	50	170	710	1460	2270	940	1020	39	20329
1DK1142-1JN08-0FA2	60	200	800	1630	2330	1050	1825	39	22435
1DK1142-1LN08-0FA2	60	200	800	1630	2330	1050	1825	39	22991
1DK1142-1PN08-0FA2	60	200	800	1630	2330	1050	1825	39	24389
1DK1142-1TN08-0FA2	60	200	800	1630	2330	1050	1825	39	25335
1DK1142-1XN08-0FA2	60	200	800	1630	2330	1050	1825	39	26788
1DK1142-2EN08-0FA2	60	200	800	1630	2330	1050	1825	39	28335

Technical data

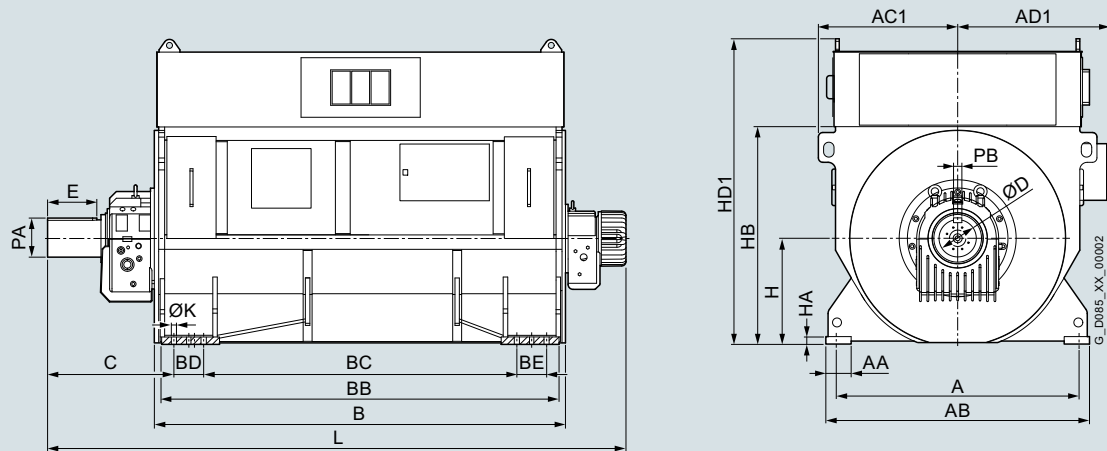
Industrial/Marine applications

IC01 cooling method

Dimensional drawings (continued)

Article No.	Dimensions												
	Ø D mm	E mm	PB mm	PA mm	L mm	B mm	BB mm	BC mm	BD mm	BE mm	C mm	AB mm	A mm
1DK1 (Z ventilation), sleeve bearing													
10-pole, 11 kV, 50 Hz													
1DK1122-1JN10-0FA2	260	330	56	272	3505	2460	2370	1812	200	200	875	1770	1630
1DK1122-1MN10-0FA2	280	380	63	292	3845	2750	2660	2102	200	200	925	1770	1630
1DK1122-1SN10-0FA2	280	380	63	292	3845	2750	2660	2102	200	200	925	1770	1630
1DK1122-1YN10-0FA2	280	380	63	292	4019	2924	2834	2276	200	200	925	1770	1630
1DK1142-1GN10-0FA2	300	380	70	314	3817	2586	2491	1696	400	365	1065	1970	1830
1DK1142-1LN10-0FA2	310	380	70	324	3817	2586	2491	1696	400	365	1065	1970	1830
1DK1142-1TN10-0FA2	330	450	70	344	4119	2818	2723	1928	400	365	1135	1970	1830
1DK1142-1XN10-0FA2	340	450	80	355	4351	3050	2955	2160	400	365	1135	1970	1830
1DK1142-2EN10-0FA2	340	450	80	355	4351	3050	2955	2160	400	365	1135	1970	1830

Article No. (repeated)	Dimensions								Weight kg
	HA mm	AA mm	H mm	HB mm	HD ₁ mm	AC ₁ mm	AD ₁ mm	Ø K mm	
10-pole, 11 kV, 50 Hz									
1DK1122-1JN10-0FA2	50	170	710	1460	2270	940	1020	39	15982
1DK1122-1MN10-0FA2	50	170	710	1460	2270	940	1020	39	16783
1DK1122-1SN10-0FA2	50	170	710	1460	2270	940	1020	39	17899
1DK1122-1YN10-0FA2	50	170	710	1460	2270	940	1020	39	19654
1DK1142-1GN10-0FA2	60	200	800	1630	2330	1050	1825	39	22072
1DK1142-1LN10-0FA2	60	200	800	1630	2330	1050	1825	39	23098
1DK1142-1TN10-0FA2	60	200	800	1630	2330	1050	1825	39	25101
1DK1142-1XN10-0FA2	60	200	800	1630	2330	1050	1825	39	26776
1DK1142-2EN10-0FA2	60	200	800	1630	2330	1050	1825	39	28168

Dimensional drawings (continued)


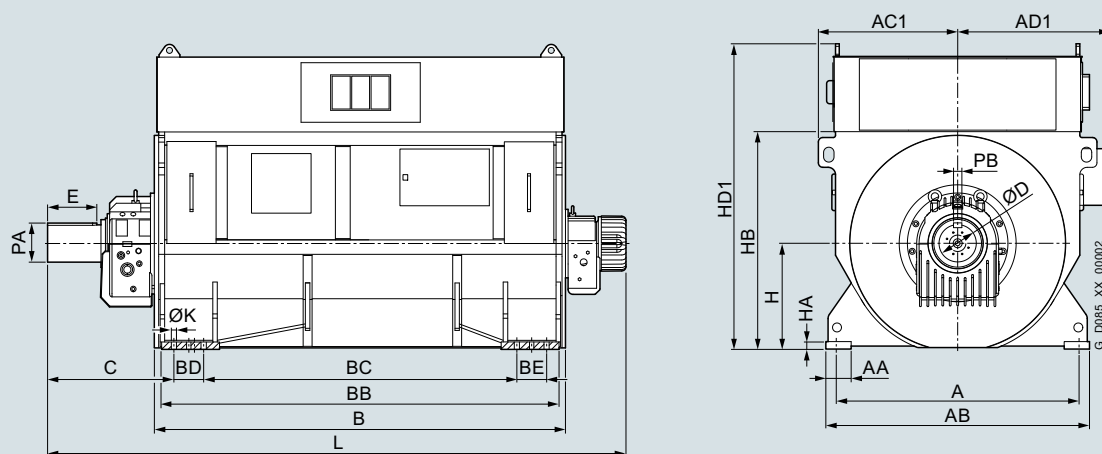
Article No.	Dimensions												
	Ø D mm	E mm	PB mm	PA mm	L mm	B mm	BB mm	BC mm	BD mm	BE mm	C mm	AB mm	A mm
1DK1 (Z ventilation), sleeve bearing													
12-pole, 11 kV, 50 Hz													
1DK1122-1AN12-0FA2	240	330	56	252	3505	2460	2370	1812	200	200	875	1770	1630
1DK1122-1DN12-0FA2	250	330	56	262	3505	2460	2370	1812	200	200	875	1770	1630
1DK1122-1GN12-0FA2	260	330	56	272	3505	2460	2370	1812	200	200	875	1770	1630
1DK1122-1MN12-0FA2	280	380	63	292	3845	2750	2660	2102	200	200	925	1770	1630
1DK1122-1RN12-0FA2	280	380	63	292	3845	2750	2660	2102	200	200	925	1770	1630
1DK1122-1VN12-0FA2	280	380	63	292	3845	2750	2660	2102	200	200	925	1770	1630
1DK1142-1JN12-0FA2	300	380	70	314	3817	2586	2491	1696	400	365	1065	1970	1830
1DK1142-1NN12-0FA2	320	380	70	334	3817	2586	2491	1696	400	365	1065	1970	1830
1DK1142-1SN12-0FA2	330	450	70	344	4119	2818	2723	1928	400	365	1135	1970	1830
1DK1142-1XN12-0FA2	330	450	70	344	4351	3050	2955	2160	400	365	1135	1970	1830

Article No. (repeated)	Dimensions								Weight kg
	HA mm	AA mm	H mm	HB mm	HD ₁ mm	AC ₁ mm	AD ₁ mm	Ø K mm	
12-pole, 11 kV, 50 Hz									
1DK1122-1AN12-0FA2	50	170	710	1460	2270	940	1020	39	13717
1DK1122-1DN12-0FA2	50	170	710	1460	2270	940	1020	39	14341
1DK1122-1GN12-0FA2	50	170	710	1460	2270	940	1020	39	14994
1DK1122-1MN12-0FA2	50	170	710	1460	2270	940	1020	39	16878
1DK1122-1RN12-0FA2	50	170	710	1460	2270	940	1020	39	17604
1DK1122-1VN12-0FA2	50	170	710	1460	2270	940	1020	39	18387
1DK1142-1JN12-0FA2	60	200	800	1630	2330	1050	1825	39	22838
1DK1142-1NN12-0FA2	60	200	800	1630	2330	1050	1825	39	23770
1DK1142-1SN12-0FA2	60	200	800	1630	2330	1050	1825	39	25187
1DK1142-1XN12-0FA2	60	200	800	1630	2330	1050	1825	39	26909

Technical data

Industrial/Marine applications

IC01 cooling method

Dimensional drawings (continued)

Article No.	Dimensions												
	Ø D	E	PB	PA	L	B	BB	BC	BD	BE	C	AB	A
	mm	mm	mm	mm	mm	mm	mm	mm	mm	mm	mm	mm	mm

1DK1 (Z ventilation), sleeve bearing

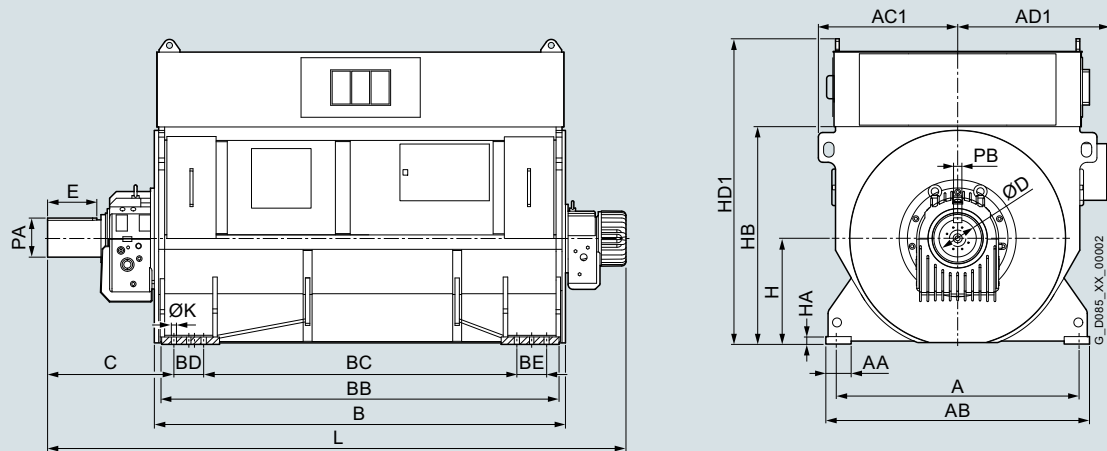
14-pole, 11 kV, 50 Hz

1DK1142-1GN14-0FA2	290	380	63	302	3817	2586	2491	1696	400	365	1065	1970	1830
1DK1142-1NN14-0FA2	300	380	70	314	3817	2586	2491	1696	400	365	1065	1970	1830
1DK1142-1XN14-0FA2	320	380	70	334	4281	3050	2955	2160	400	365	1065	1970	1830
1DK1142-2CN14-0FA2	330	450	70	344	4351	3050	2955	2160	400	365	1135	1970	1830

Article No. (repeated)	Dimensions								Weight
	HA	AA	H	HB	HD ₁	AC ₁	AD ₁	Ø K	
	mm	mm	mm	mm	mm	mm	mm	mm	kg

14-pole, 11 kV, 50 Hz

1DK1142-1GN14-0FA2	60	200	800	1630	2330	1050	1825	39	22257
1DK1142-1NN14-0FA2	60	200	800	1630	2330	1050	1825	39	23856
1DK1142-1XN14-0FA2	60	200	800	1630	2330	1050	1825	39	26890
1DK1142-2CN14-0FA2	60	200	800	1630	2330	1050	1825	39	27898

Dimensional drawings


Article No.	Dimensions												
	Ø D	E	PB	PA	L	B	BB	BC	BD	BE	C	AB	A
	mm	mm	mm	mm	mm	mm	mm	mm	mm	mm	mm	mm	mm

1DK1 (Z ventilation), sleeve bearing

6-pole, 13.8 kV, 60 Hz

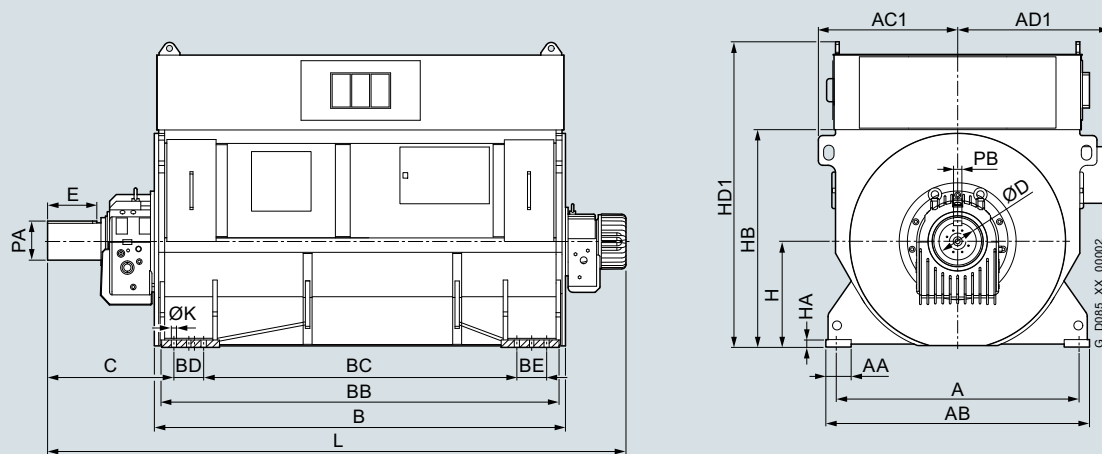
1DK1102-0VR06-0FA2	200	280	50	227	3579	2390	2280	1935	-	-	934	1670	1520
1DK1102-0YR06-0FA2	210	280	50	237	3579	2390	2280	1935	-	-	934	1670	1520
1DK1102-1CR06-0FA2	210	280	50	247	3579	2390	2280	1935	-	-	934	1670	1520
1DK1102-1HR06-0FA2	220	280	50	260	3579	2390	2280	1935	-	-	934	1670	1520
1DK1102-1NR06-0FA2	230	330	50	260	3874	2635	2525	2180	-	-	984	1670	1520
1DK1122-1DR06-0FA2	250	330	56	262	3505	2460	2370	1812	200	200	885	1770	1630
1DK1122-1KR06-0FA2	280	380	63	292	3845	2750	2660	2102	200	200	935	1770	1630
1DK1122-1TR06-0FA2	280	380	63	292	4019	2924	2834	2276	200	200	935	1770	1630
1DK1142-1FR06-0FA2	300	380	70	314	3817	2586	2491	1696	400	365	1065	1970	1830
1DK1142-1KR06-0FA2	320	380	70	334	3817	2586	2491	1696	400	365	1065	1970	1830
1DK1142-1PR06-0FA2	330	450	70	344	4119	2818	2723	1928	400	365	1135	1970	1830
1DK1142-1VR06-0FA2	340	450	80	355	4119	2818	2723	1928	400	365	1135	1970	1830

Article No. (repeated)	Dimensions								Weight
	HA	AA	H	HB	HD ₁	AC ₁	AD ₁	Ø K	
	mm	mm	mm	mm	mm	mm	mm	mm	kg
6-pole, 13.8 kV, 60 Hz									
1DK1102-0VR06-0FA2	45	170	630	1300	2300	855	950	48	11330
1DK1102-0YR06-0FA2	45	170	630	1300	2300	855	950	48	11802
1DK1102-1CR06-0FA2	45	170	630	1300	2300	855	950	48	12311
1DK1102-1HR06-0FA2	45	170	630	1300	2300	855	950	48	13050
1DK1102-1NR06-0FA2	45	170	630	1300	2300	855	950	48	14295
1DK1122-1DR06-0FA2	50	170	710	1460	2270	940	1020	39	14994
1DK1122-1KR06-0FA2	50	170	710	1460	2270	940	1020	39	16930
1DK1122-1TR06-0FA2	50	170	710	1460	2270	940	1020	39	19057
1DK1142-1FR06-0FA2	60	200	800	1630	2330	1050	1825	39	21945
1DK1142-1KR06-0FA2	60	200	800	1630	2330	1050	1825	39	22939
1DK1142-1PR06-0FA2	60	200	800	1630	2330	1050	1825	39	24629
1DK1142-1VR06-0FA2	60	200	800	1630	2330	1050	1825	39	26075

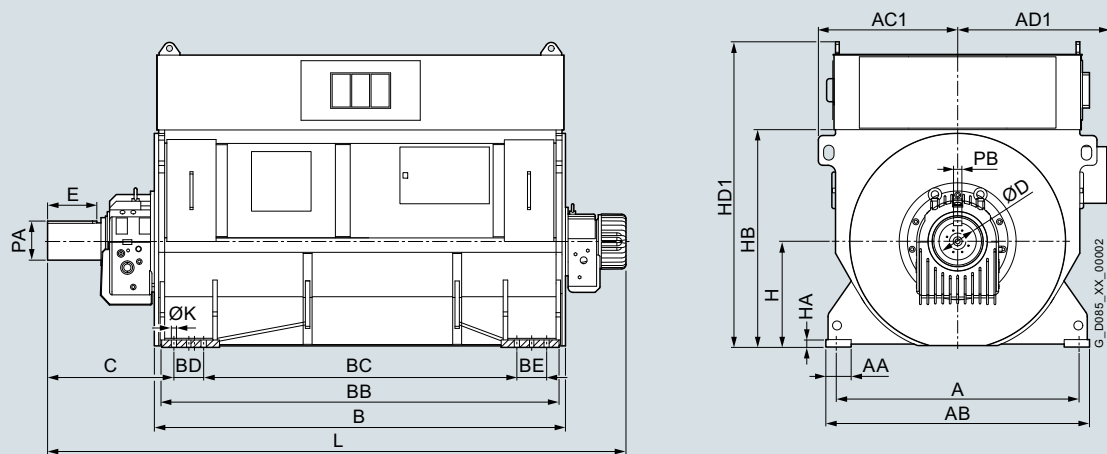
Technical data

Industrial/Marine applications

IC01 cooling method

Dimensional drawings (continued)

Article No.	Dimensions												
	Ø D mm	E mm	PB mm	PA mm	L mm	B mm	BB mm	BC mm	BD mm	BE mm	C mm	AB mm	A mm
1DK1 (Z ventilation), sleeve bearing													
8-pole, 13.8 kV, 60 Hz													
1DK1102-OTR08-0FA2	200	280	45	217	3579	2390	2280	1935	–	–	934	1670	1520
1DK1102-0WR08-0FA2	200	280	45	217	3579	2390	2280	1935	–	–	934	1670	1520
1DK1102-1AR08-0FA2	210	280	50	227	3579	2390	2280	1935	–	–	934	1670	1520
1DK1102-1DR08-0FA2	210	280	50	227	3579	2390	2280	1935	–	–	934	1670	1520
1DK1102-1JR08-0FA2	220	280	50	237	3579	2390	2280	1935	–	–	934	1670	1520
1DK1102-1PR08-0FA2	230	330	50	247	3874	2635	2525	2180	–	–	984	1670	1520
Article No. (repeated)	Dimensions									Weight			
	HA mm	AA mm	H mm	HB mm	HD ₁ mm	AC ₁ mm	AD ₁ mm	Ø K mm	kg				
8-pole, 13.8 kV, 60 Hz													
1DK1102-OTR08-0FA2	45	170	630	1300	2300	855	950	48	10821				
1DK1102-0WR08-0FA2	45	170	630	1300	2300	855	950	48	11306				
1DK1102-1AR08-0FA2	45	170	630	1300	2300	855	950	48	11802				
1DK1102-1DR08-0FA2	45	170	630	1300	2300	855	950	48	12287				
1DK1102-1JR08-0FA2	45	170	630	1300	2300	855	950	48	13144				
1DK1102-1PR08-0FA2	45	170	630	1300	2300	855	950	48	14301				

Dimensional drawings (continued)


Article No.	Dimensions												
	Ø D	E	PB	PA	L	B	BB	BC	BD	BE	C	AB	A
	mm	mm	mm	mm	mm	mm	mm	mm	mm	mm	mm	mm	mm

1DK1 (Z ventilation), sleeve bearing

8-pole, 13.8 kV, 60 Hz (continued)

1DK1122-1FR08-0FA2	260	330	56	272	3505	2460	2370	1812	200	200	885	1770	1630
1DK1122-1JR08-0FA2	270	380	63	282	3845	2750	2660	2102	200	200	935	1770	1630
1DK1122-1PR08-0FA2	280	380	63	292	3845	2750	2660	2102	200	200	935	1770	1630
1DK1122-1VR08-0FA2	280	380	63	292	4019	2924	2834	2276	200	200	935	1770	1630
1DK1122-2CR08-0FA2	280	380	63	292	4019	2924	2834	2276	200	200	935	1770	1630
1DK1142-1JR08-0FA2	320	380	70	334	3817	2586	2491	1696	400	365	1065	1970	1830
1DK1142-1LR08-0FA2	330	450	70	344	3887	2586	2491	1696	400	365	1135	1970	1830
1DK1142-1PR08-0FA2	330	450	70	344	4119	2818	2723	1928	400	365	1135	1970	1830
1DK1142-1TR08-0FA2	340	450	80	355	4119	2818	2723	1928	400	365	1135	1970	1830
1DK1142-1XR08-0FA2	340	450	80	355	4351	3050	2955	2160	400	365	1135	1970	1830
1DK1142-2ER08-0FA2	350	450	80	365	4351	3050	2955	2160	400	365	1135	1970	1830

Article No. (repeated)	Dimensions								Weight
	HA	AA	H	HB	HD ₁	AC ₁	AD ₁	Ø K	
	mm	mm	mm	mm	mm	mm	mm	mm	kg

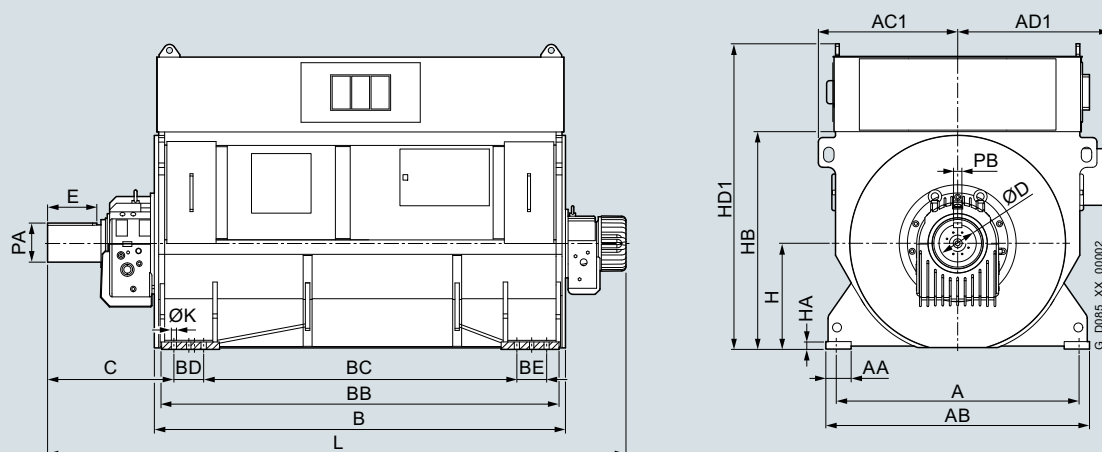
8-pole, 13.8 kV, 60 Hz

1DK1122-1FR08-0FA2	50	170	710	1460	2270	940	1020	39	15068
1DK1122-1JR08-0FA2	50	170	710	1460	2270	940	1020	39	16449
1DK1122-1PR08-0FA2	50	170	710	1460	2270	940	1020	39	17415
1DK1122-1VR08-0FA2	50	170	710	1460	2270	940	1020	39	19138
1DK1122-2CR08-0FA2	50	170	710	1460	2270	940	1020	39	20410
1DK1142-1JR08-0FA2	60	200	800	1630	2330	1050	1825	39	22458
1DK1142-1LR08-0FA2	60	200	800	1630	2330	1050	1825	39	23002
1DK1142-1PR08-0FA2	60	200	800	1630	2330	1050	1825	39	24327
1DK1142-1TR08-0FA2	60	200	800	1630	2330	1050	1825	39	25306
1DK1142-1XR08-0FA2	60	200	800	1630	2330	1050	1825	39	26838
1DK1142-2ER08-0FA2	60	200	800	1630	2330	1050	1825	39	28336

Technical data

Industrial/Marine applications

IC01 cooling method

Dimensional drawings (continued)

Article No.	Dimensions												
	Ø D	E	PB	PA	L	B	BB	BC	BD	BE	C	AB	A
	mm	mm	mm	mm	mm	mm	mm	mm	mm	mm	mm	mm	mm

1DK1 (Z ventilation), sleeve bearing

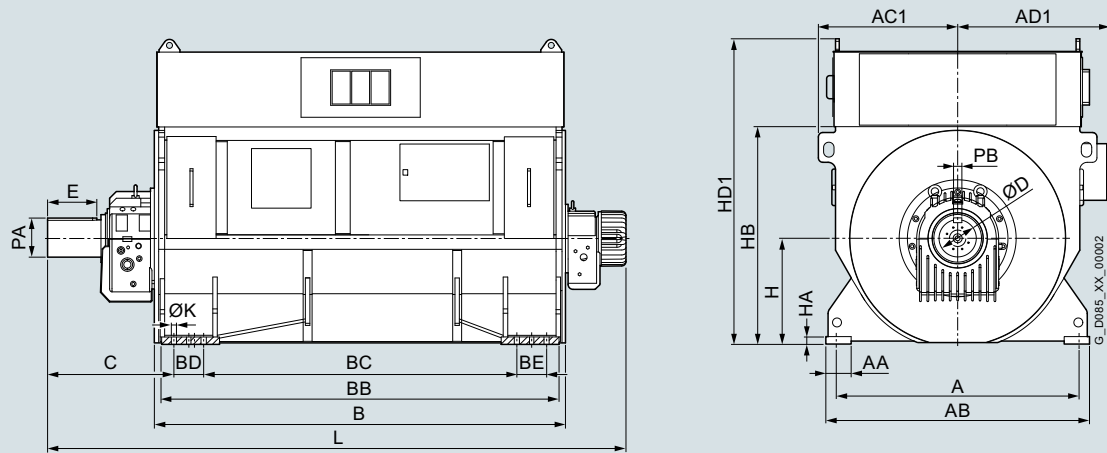
10-pole, 13.8 kV, 60 Hz

1DK1122-1JR10-0FA2	260	330	56	272	3505	2460	2370	1812	200	200	875	1770	1630
1DK1122-1MR10-0FA2	280	380	63	292	3845	2750	2660	2102	200	200	925	1770	1630
1DK1122-1SR10-0FA2	280	380	63	292	3845	2750	2660	2102	200	200	925	1770	1630
1DK1122-1YR10-0FA2	280	380	63	292	4019	2924	2834	2276	200	200	925	1770	1630
1DK1142-1GR10-0FA2	300	380	70	314	3817	2586	2491	1696	400	365	1065	1970	1830
1DK1142-1LR10-0FA2	330	450	70	344	3887	2586	2491	1696	400	365	1135	1970	1830
1DK1142-1TR10-0FA2	330	450	70	344	4119	2818	2723	1928	400	365	1135	1970	1830
1DK1142-1XR10-0FA2	340	450	80	355	4351	3050	2955	2160	400	365	1135	1970	1830
1DK1142-2ER10-0FA2	340	450	80	355	4351	3050	2955	2160	400	365	1135	1970	1830

Article No. (repeated)	Dimensions								Weight
	HA	AA	H	HB	HD ₁	AC ₁	AD ₁	Ø K	
	mm	mm	mm	mm	mm	mm	mm	mm	kg

10-pole, 13.8 kV, 60 Hz

1DK1122-1JR10-0FA2	50	170	710	1460	2270	940	1020	39	15983
1DK1122-1MR10-0FA2	50	170	710	1460	2270	940	1020	39	16953
1DK1122-1SR10-0FA2	50	170	710	1460	2270	940	1020	39	18016
1DK1122-1YR10-0FA2	50	170	710	1460	2270	940	1020	39	19666
1DK1142-1GR10-0FA2	60	200	800	1630	2330	1050	1825	39	22086
1DK1142-1LR10-0FA2	60	200	800	1630	2330	1050	1825	39	23122
1DK1142-1TR10-0FA2	60	200	800	1630	2330	1050	1825	39	25299
1DK1142-1XR10-0FA2	60	200	800	1630	2330	1050	1825	39	26655
1DK1142-2ER10-0FA2	60	200	800	1630	2330	1050	1825	39	28204

Dimensional drawings (continued)


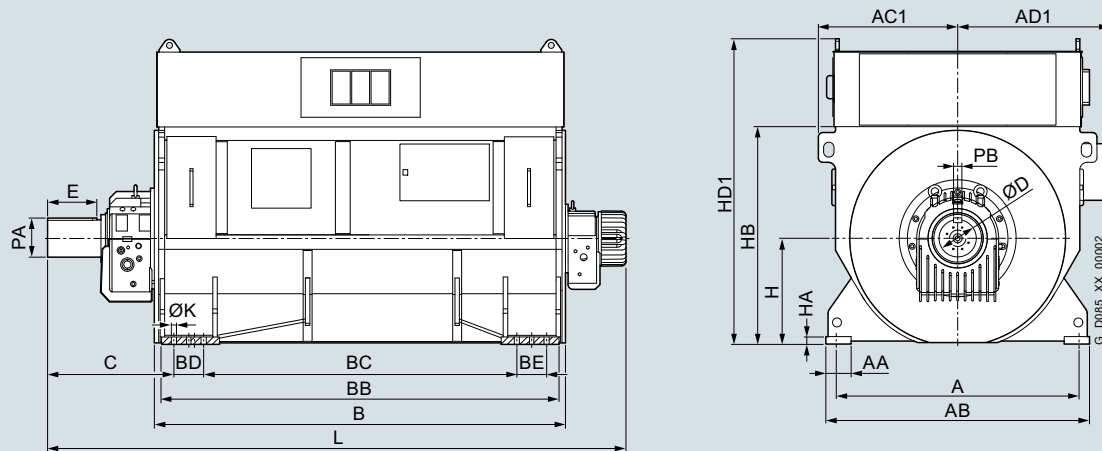
Article No.	Dimensions												
	Ø D	E	PB	PA	L	B	BB	BC	BD	BE	C	AB	A
	mm	mm	mm	mm	mm	mm	mm	mm	mm	mm	mm	mm	mm
1DK1 (Z ventilation), sleeve bearing													
12-pole, 13.8 kV, 60 Hz													
1DK1122-1AR12-0FA2	250	330	56	262	3505	2460	2370	1812	200	200	875	1770	1630
1DK1122-1DR12-0FA2	250	330	56	262	3505	2460	2370	1812	200	200	875	1770	1630
1DK1122-1GR12-0FA2	260	330	56	272	3505	2460	2370	1812	200	200	875	1770	1630
1DK1122-1MR12-0FA2	280	380	63	292	3845	2750	2660	2102	200	200	925	1770	1630
1DK1122-1RR12-0FA2	280	380	63	292	3845	2750	2660	2102	200	200	925	1770	1630
1DK1122-1VR12-0FA2	280	380	63	292	3845	2750	2660	2102	200	200	925	1770	1630
1DK1142-1JR12-0FA2	300	380	70	314	3817	2586	2491	1696	400	365	1065	1970	1830
1DK1142-1NR12-0FA2	320	380	70	334	3817	2586	2491	1696	400	365	1065	1970	1830
1DK1142-1SR12-0FA2	330	450	70	344	4119	2818	2723	1928	400	365	1135	1970	1830
1DK1142-1XR12-0FA2	330	450	70	344	4351	3050	2955	2160	400	365	1135	1970	1830

Article No. (repeated)	Dimensions								Weight
	HA	AA	H	HB	HD ₁	AC ₁	AD ₁	Ø K	
	mm	mm	mm	mm	mm	mm	mm	mm	kg
12-pole, 13.8 kV, 60 Hz									
1DK1122-1AR12-0FA2	50	170	710	1460	2270	940	1020	39	14063
1DK1122-1DR12-0FA2	50	170	710	1460	2270	940	1020	39	14698
1DK1122-1GR12-0FA2	50	170	710	1460	2270	940	1020	39	15320
1DK1122-1MR12-0FA2	50	170	710	1460	2270	940	1020	39	16789
1DK1122-1RR12-0FA2	50	170	710	1460	2270	940	1020	39	17641
1DK1122-1VR12-0FA2	50	170	710	1460	2270	940	1020	39	18354
1DK1142-1JR12-0FA2	60	200	800	1630	2330	1050	1825	39	22754
1DK1142-1NR12-0FA2	60	200	800	1630	2330	1050	1825	39	23768
1DK1142-1SR12-0FA2	60	200	800	1630	2330	1050	1825	39	25206
1DK1142-1XR12-0FA2	60	200	800	1630	2330	1050	1825	39	26940

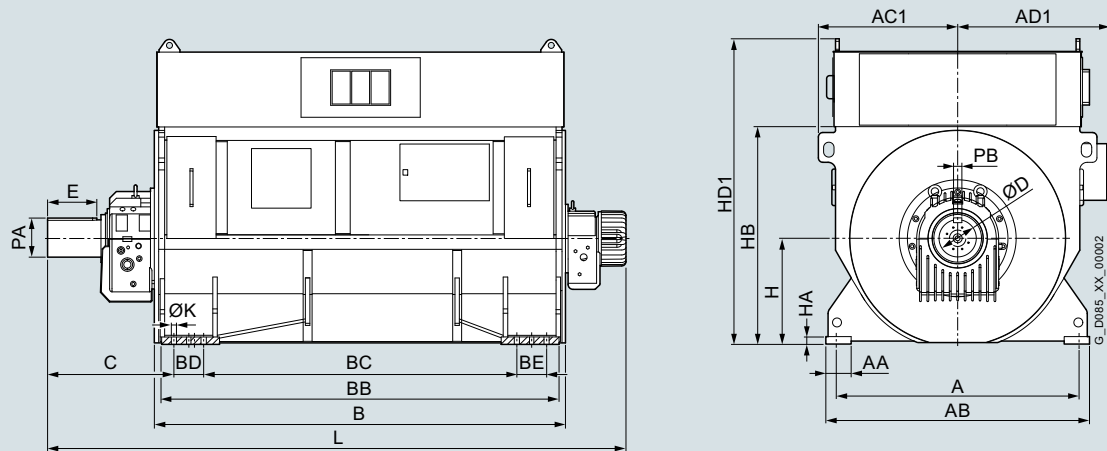
Technical data

Industrial/Marine applications

IC01 cooling method

Dimensional drawings (continued)

Article No.	Dimensions												
	Ø D mm	E mm	PB mm	PA mm	L mm	B mm	BB mm	BC mm	BD mm	BE mm	C mm	AB mm	A mm
1DK1 (Z ventilation), sleeve bearing													
14-pole, 13.8 kV, 60 Hz													
1DK1122-1DR14-0FA2	230	330	50	241	3505	2460	2370	1812	200	200	875	1770	1630
1DK1122-1JR14-0FA2	240	330	56	252	3505	2460	2370	1812	200	200	875	1770	1630
1DK1122-1RR14-0FA2	240	330	56	252	3795	2750	2660	2102	200	200	875	1770	1630
1DK1122-1XR14-0FA2	240	330	56	252	3795	2750	2660	2102	200	200	875	1770	1630
1DK1142-1NR14-0FA2	300	380	70	314	3817	2586	2491	1696	400	365	1065	1970	1830
1DK1142-1XR14-0FA2	330	450	70	344	3887	2586	2491	1696	400	365	1135	1970	1830
1DK1142-2CR14-0FA2	330	450	70	344	4351	3050	2955	2160	400	365	1135	1970	1830
Article No. (repeated)	Dimensions									Weight kg			
	HA mm	AA mm	H mm	HB mm	HD ₁ mm	AC ₁ mm	AD ₁ mm	Ø K mm					
14-pole, 13.8 kV, 60 Hz													
1DK1122-1DR14-0FA2	50	170	710	1460	2270	940	1020	39	14266				
1DK1122-1JR14-0FA2	50	170	710	1460	2270	940	1020	39	15284				
1DK1122-1RR14-0FA2	50	170	710	1460	2270	940	1020	39	17390				
1DK1122-1XR14-0FA2	50	170	710	1460	2270	940	1020	39	18455				
1DK1142-1NR14-0FA2	60	200	800	1630	2330	1050	1825	39	23791				
1DK1142-1XR14-0FA2	60	200	800	1630	2330	1050	1825	39	26034				
1DK1142-2CR14-0FA2	60	200	800	1630	2330	1050	1825	39	27924				

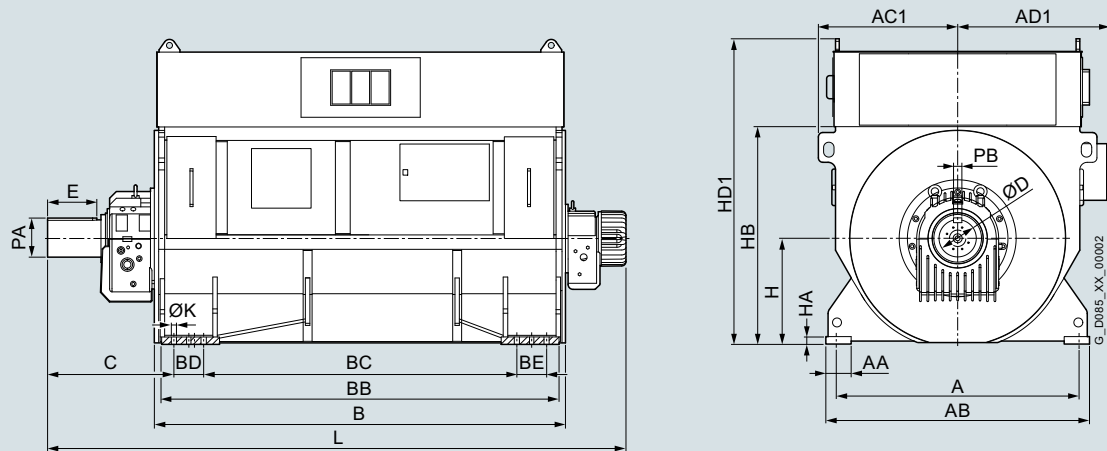
Dimensional drawings


Article No.	Dimensions												
	Ø D	E	PB	PA	L	B	BB	BC	BD	BE	C	AB	A
	mm	mm	mm	mm	mm	mm	mm	mm	mm	mm	mm	mm	mm
1DT1 (X ventilation), sleeve bearing													
4-pole, 3.3 kV, 50 Hz													
1DT1102-1BE04-0FA2	220	280	50	227	3245	2370	2280	1935	-	-	848	1670	1520
1DT1102-1EE04-0FA2	230	330	50	227	3295	2370	2280	1935	-	-	898	1670	1520
1DT1102-1JE04-0FA2	240	330	50	247	3447	2615	2525	2180	-	-	805	1670	1520
1DT1102-1PE04-0FA2	210	280	50	227	3397	2615	2525	2180	-	-	755	1670	1520
1DT1102-1TE04-0FA2	210	280	50	227	3652	2870	2780	2435	-	-	755	1670	1520
1DT1102-1YE04-0FA2	210	280	50	227	3652	2870	2780	2435	-	-	755	1670	1520
1DT1122-1PE04-0FA2	240	330	56	252	3820	2750	2660	2465	-	-	925	1770	1630
1DT1122-1TE04-0FA2	250	330	56	262	3820	2750	2660	2465	-	-	925	1770	1630
1DT1122-2CE04-0FA2	280	380	63	292	4044	2924	2834	2639	-	-	975	1770	1630
1DT1142-1XE04-0FA2	330	450	70	344	4092	2818	2723	2443	-	-	1100	1970	1830
1DT1142-2ME04-0FA2	360	450	80	375	4890	3050	2955	2675	-	-	980	1970	1830

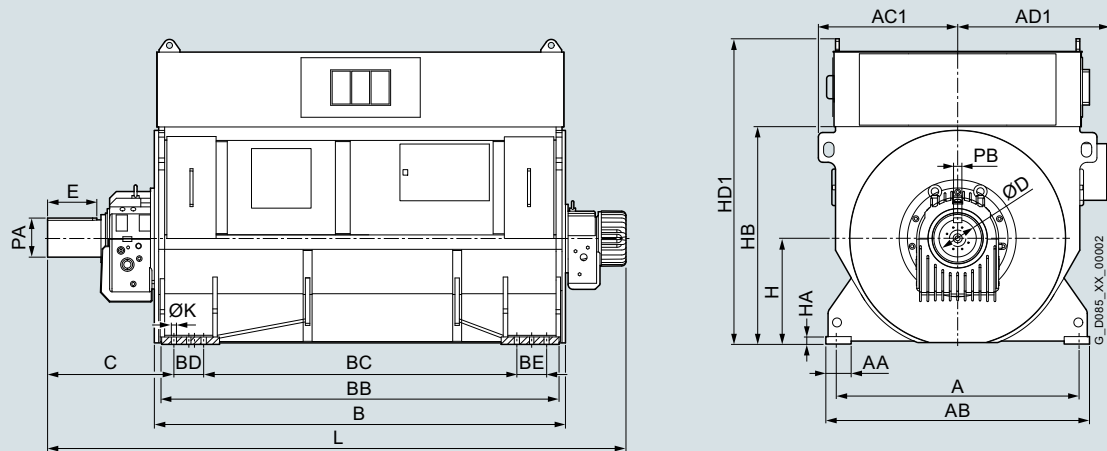
Article No. (repeated)	Dimensions								Weight
	HA	AA	H	HB	HD ₁	AC ₁	AD ₁	Ø K	
	mm	mm	mm	mm	mm	mm	mm	mm	kg
4-pole, 3.3 kV, 50 Hz									
1DT1102-1BE04-0FA2	45	170	630	1300	2300	855	1840	48	11985
1DT1102-1EE04-0FA2	45	170	630	1300	2300	855	1840	48	12513
1DT1102-1JE04-0FA2	45	170	630	1300	2300	855	1840	48	13457
1DT1102-1PE04-0FA2	45	170	630	1300	2300	855	1840	48	14221
1DT1102-1TE04-0FA2	45	170	630	1300	2300	855	1840	48	15046
1DT1102-1YE04-0FA2	45	170	630	1300	2300	855	1840	48	15890
1DT1122-1PE04-0FA2	50	170	710	1460	2270	940	1715	56	17519
1DT1122-1TE04-0FA2	50	170	710	1460	2270	940	1715	56	18178
1DT1122-2CE04-0FA2	50	170	710	1460	2270	940	1715	56	20003
1DT1142-1XE04-0FA2	60	200	800	1630	2330	1050	1825	56	25525
1DT1142-2ME04-0FA2	60	200	800	1630	2330	1050	1825	56	30816

Technical data

Industrial/Marine applications

IC01 cooling method**Dimensional drawings** (continued)

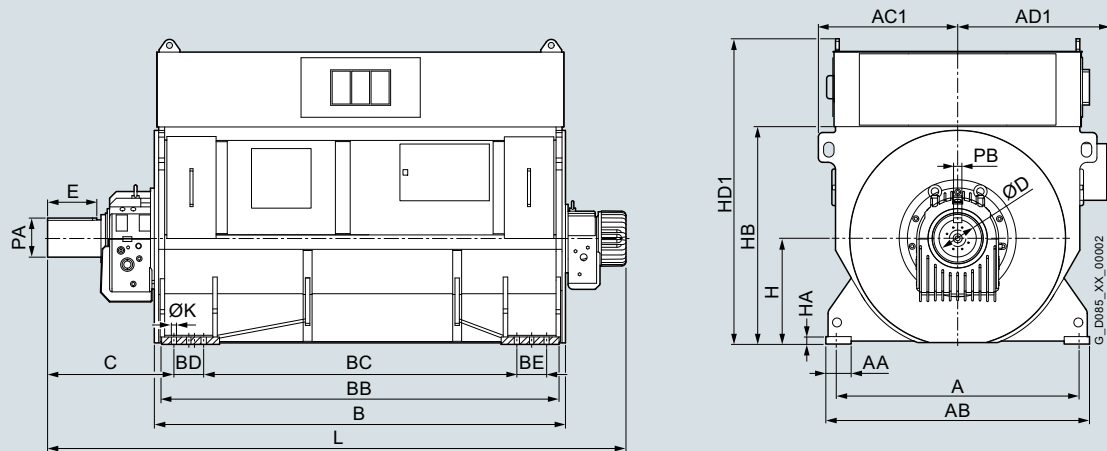
Article No.	Dimensions												
	Ø D mm	E mm	PB mm	PA mm	L mm	B mm	BB mm	BC mm	BD mm	BE mm	C mm	AB mm	A mm
1DT1 (X ventilation), sleeve bearing													
4-pole, 4.16 kV, 60 Hz													
1DT1102-0VF04-0FA2	210	280	50	215	3245	2370	2280	1935	-	-	848	1670	1520
1DT1102-0XF04-0FA2	210	280	50	227	3245	2370	2280	1935	-	-	848	1670	1520
1DT1102-1BF04-0FA2	230	330	50	227	3295	2370	2280	1935	-	-	898	1670	1520
1DT1102-1EF04-0FA2	230	330	50	237	3295	2370	2280	1935	-	-	898	1670	1520
1DT1102-1JF04-0FA2	200	280	45	215	3397	2615	2525	2180	-	-	755	1670	1520
1DT1102-1PF04-0FA2	210	280	50	217	3397	2615	2525	2180	-	-	755	1670	1520
1DT1122-1HF04-0FA2	240	330	56	252	3530	2460	2370	2175	-	-	925	1770	1630
1DT1122-1PF04-0FA2	240	330	56	252	3820	2750	2660	2465	-	-	925	1770	1630
1DT1122-1WF04-0FA2	260	380	63	272	4700	2750	2660	2465	-	-	860	1770	1630
1DT1122-2CF04-0FA2	270	380	63	282	4700	2750	2660	2465	-	-	860	1770	1630
1DT1142-1NF04-0FA2	300	380	70	314	3790	2586	2491	2211	-	-	1030	1970	1830
1DT1142-1XF04-0FA2	330	450	70	344	3960	2818	2723	2443	-	-	980	1970	1830
Article No. (repeated)	Dimensions								Weight kg				
	HA mm	AA mm	H mm	HB mm	HD ₁ mm	AC ₁ mm	AD ₁ mm	Ø K mm					
4-pole, 4.16 kV, 60 Hz													
1DT1102-0VF04-0FA2	45	170	630	1300	2300	855	1840	48	11250				
1DT1102-0XF04-0FA2	45	170	630	1300	2300	855	1840	48	11560				
1DT1102-1BF04-0FA2	45	170	630	1300	2300	855	1840	48	11970				
1DT1102-1EF04-0FA2	45	170	630	1300	2300	855	1840	48	12520				
1DT1102-1JF04-0FA2	45	170	630	1300	2300	855	1840	48	13471				
1DT1102-1PF04-0FA2	45	170	630	1300	2300	855	1840	48	14214				
1DT1122-1HF04-0FA2	50	170	710	1460	2270	940	1715	56	16057				
1DT1122-1PF04-0FA2	50	170	710	1460	2270	940	1715	56	17437				
1DT1122-1WF04-0FA2	50	170	710	1460	2270	940	1715	56	20649				
1DT1122-2CF04-0FA2	50	170	710	1460	2270	940	1715	56	21673				
1DT1142-1NF04-0FA2	60	200	800	1630	2330	1050	1825	56	22907				
1DT1142-1XF04-0FA2	60	200	800	1630	2330	1050	1825	56	25371				

Dimensional drawings (continued)


Article No.	Dimensions												
	Ø D mm	E mm	PB mm	PA mm	L mm	B mm	BB mm	BC mm	BD mm	BE mm	C mm	AB mm	A mm
1DT1 (X ventilation), sleeve bearing													
4-pole, 6.3 kV, 50 Hz													
1DT1102-1MH04-0FA2	220	280	50	227	3245	2370	2280	1935	–	–	848	1670	1520
1DT1102-1EH04-0FA2	230	330	50	247	3295	2370	2280	1935	–	–	898	1670	1520
1DT1102-1JH04-0FA2	240	330	56	260	3447	2615	2525	2180	–	–	805	1670	1520
1DT1102-1PH04-0FA2	210	280	50	227	3397	2615	2525	2180	–	–	755	1670	1520
1DT1102-1TH04-0FA2	210	280	50	227	3652	2870	2780	2435	–	–	755	1670	1520
1DT1102-1YH04-0FA2	210	280	50	227	3652	2870	2780	2435	–	–	755	1670	1520
Article No. (repeated)	Dimensions								Weight				
	HA mm	AA mm	H mm	HB mm	HD ₁ mm	AC ₁ mm	AD ₁ mm	Ø K mm	kg				
4-pole, 6.3 kV, 50 Hz													
1DT1102-1MH04-0FA2	45	170	630	1300	2300	855	1840	48	11904				
1DT1102-1EH04-0FA2	45	170	630	1300	2300	855	1840	48	12414				
1DT1102-1JH04-0FA2	45	170	630	1300	2300	855	1840	48	13368				
1DT1102-1PH04-0FA2	45	170	630	1300	2300	855	1840	48	14144				
1DT1102-1TH04-0FA2	45	170	630	1300	2300	855	1840	48	14957				
1DT1102-1YH04-0FA2	45	170	630	1300	2300	855	1840	48	15791				

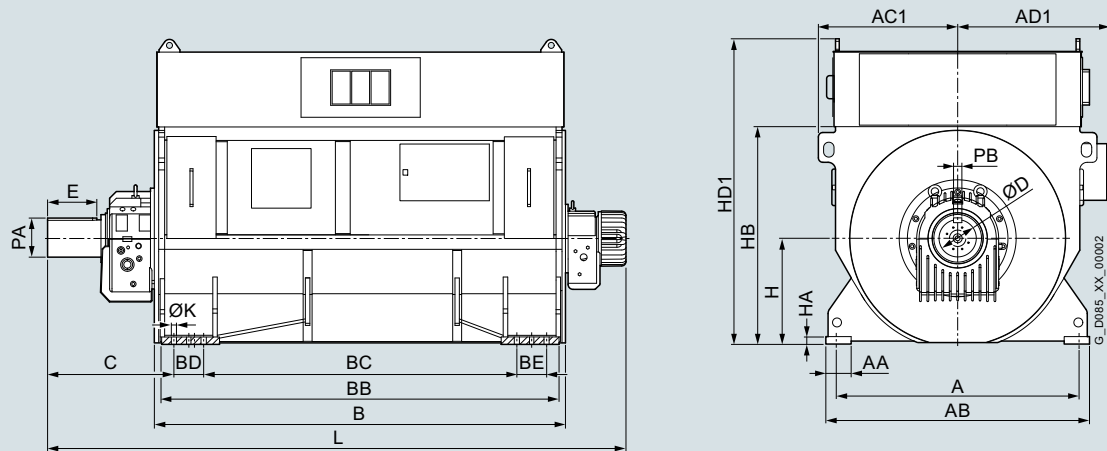
Technical data

Industrial/Marine applications

IC01 cooling method**Dimensional drawings** (continued)

Article No.	Dimensions												
	Ø D mm	E mm	PB mm	PA mm	L mm	B mm	BB mm	BC mm	BD mm	BE mm	C mm	AB mm	A mm
1DT1 (X ventilation), sleeve bearing													
4-pole, 6.3 kV, 50 Hz (continued)													
1DT1122-1PH04-0FA2	240	330	56	252	3820	2750	2660	2465	-	-	925	1770	1630
1DT1122-1TH04-0FA2	250	330	56	262	3820	2750	2660	2465	-	-	925	1770	1630
1DT1122-1WH04-0FA2	260	330	56	272	3994	2924	2834	2639	-	-	925	1770	1630
1DT1122-2CH04-0FA2	280	380	63	292	4044	2924	2834	2639	-	-	975	1770	1630
1DT1122-2HH04-0FA2	280	380	63	292	4874	2924	2834	2639	-	-	860	1770	1630
1DT1142-1TH04-0FA2	330	450	70	344	4092	2818	2723	2443	-	-	1100	1970	1830
1DT1142-1XH04-0FA2	330	450	70	344	4092	2818	2723	2443	-	-	1100	1970	1830
1DT1142-2EH04-0FA2	340	450	80	355	4192	3050	2955	2675	-	-	980	1970	1830
1DT1142-2MH04-0FA2	360	450	80	375	4890	3050	2955	2675	-	-	980	1970	1830

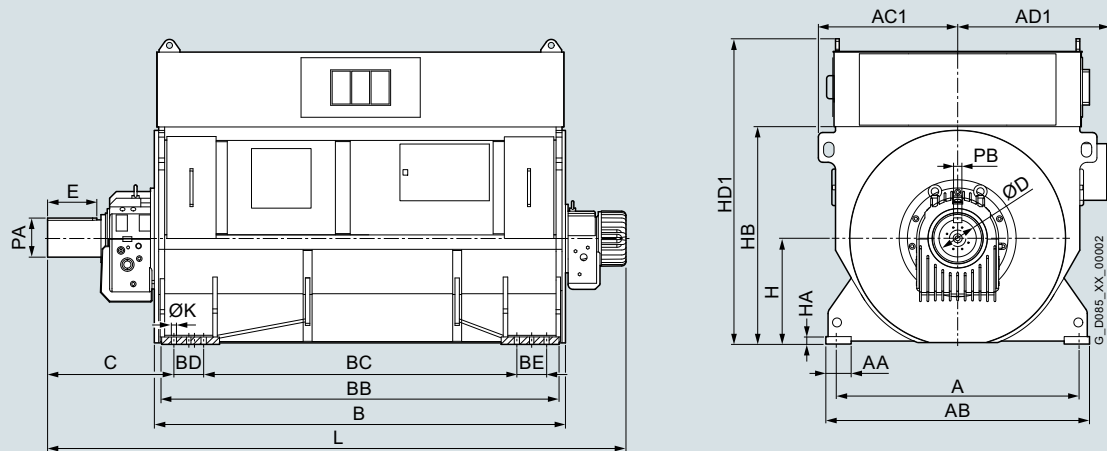
Article No. (repeated)	Dimensions								Weight kg
	HA mm	AA mm	H mm	HB mm	HD ₁ mm	AC ₁ mm	AD ₁ mm	Ø K mm	
4-pole, 6.3 kV, 50 Hz									
1DT1122-1PH04-0FA2	50	170	710	1460	2270	940	1715	56	17519
1DT1122-1TH04-0FA2	50	170	710	1460	2270	940	1715	56	18178
1DT1122-1WH04-0FA2	50	170	710	1460	2270	940	1715	56	19226
1DT1122-2CH04-0FA2	50	170	710	1460	2270	940	1715	56	20003
1DT1122-2HH04-0FA2	50	170	710	1460	2270	940	1715	56	22874
1DT1142-1TH04-0FA2	60	200	800	1630	2330	1050	1825	56	24522
1DT1142-1XH04-0FA2	60	200	800	1630	2330	1050	1825	56	25525
1DT1142-2EH04-0FA2	60	200	800	1630	2330	1050	1825	56	27257
1DT1142-2MH04-0FA2	60	200	800	1630	2330	1050	1825	56	30816

Dimensional drawings (continued)


Article No.	Dimensions												
	Ø D mm	E mm	PB mm	PA mm	L mm	B mm	BB mm	BC mm	BD mm	BE mm	C mm	AB mm	A mm
1DT1 (X ventilation), sleeve bearing													
4-pole, 6.6 kV, 60 Hz													
1DT1102-0VK04-0FA2	210	280	50	217	3245	2370	2280	1935	–	–	848	1670	1520
1DT1102-0XK04-0FA2	210	280	50	217	3245	2370	2280	1935	–	–	848	1670	1520
1DT1102-1BK04-0FA2	220	280	50	237	3245	2370	2280	1935	–	–	848	1670	1520
1DT1102-1EK04-0FA2	230	330	50	247	3295	2370	2280	1935	–	–	898	1670	1520
1DT1102-1JK04-0FA2	200	280	45	215	3397	2615	2525	2180	–	–	755	1670	1520
1DT1102-1PK04-0FA2	210	280	50	227	3397	2615	2525	2180	–	–	755	1670	1520
Article No. (repeated)	Dimensions								Weight kg				
	HA mm	AA mm	H mm	HB mm	HD ₁ mm	AC ₁ mm	AD ₁ mm	Ø K mm					
4-pole, 6.6 kV, 60 Hz													
1DT1102-0VK04-0FA2	45	170	630	1300	2300	855	1840	48	11176				
1DT1102-0XK04-0FA2	45	170	630	1300	2300	855	1840	48	11444				
1DT1102-1BK04-0FA2	45	170	630	1300	2300	855	1840	48	11888				
1DT1102-1EK04-0FA2	45	170	630	1300	2300	855	1840	48	12419				
1DT1102-1JK04-0FA2	45	170	630	1300	2300	855	1840	48	13380				
1DT1102-1PK04-0FA2	45	170	630	1300	2300	855	1840	48	14121				

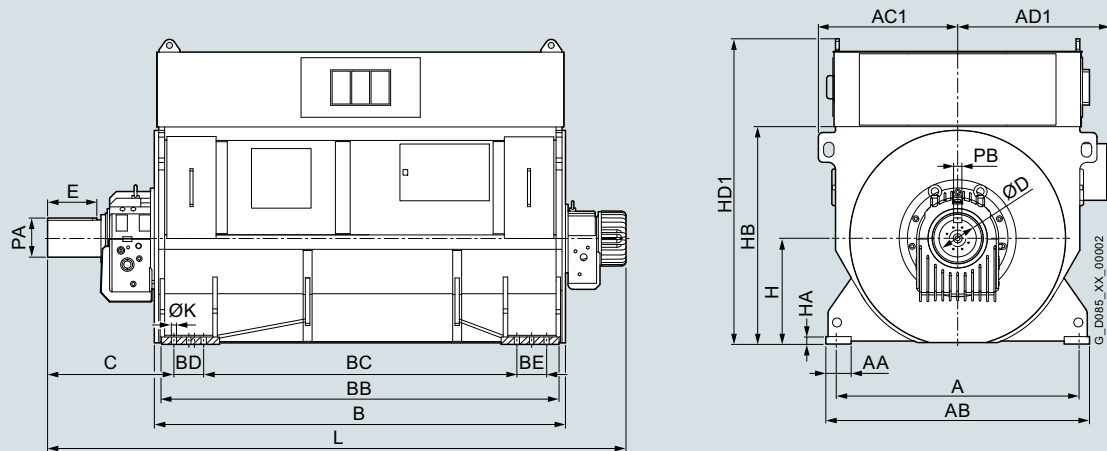
Technical data

Industrial/Marine applications

IC01 cooling method**Dimensional drawings** (continued)

Article No.	Dimensions												
	Ø D mm	E mm	PB mm	PA mm	L mm	B mm	BB mm	BC mm	BD mm	BE mm	C mm	AB mm	A mm
1DT1 (X ventilation), sleeve bearing													
4-pole, 6.6 kV, 60 Hz (continued)													
1DT1122-1HK04-0FA2	240	330	56	252	3530	2460	2370	2175	-	-	925	1770	1630
1DT1122-1PK04-0FA2	240	330	56	252	3820	2750	2660	2465	-	-	925	1770	1630
1DT1122-1TK04-0FA2	250	330	56	262	3820	2750	2660	2465	-	-	925	1770	1630
1DT1122-1WK04-0FA2	260	380	63	272	4700	2750	2660	2465	-	-	860	1770	1630
1DT1122-2CK04-0FA2	270	380	63	282	4700	2750	2660	2465	-	-	860	1770	1630
1DT1142-1NK04-0FA2	300	380	70	314	3790	2586	2491	2211	-	-	1030	1970	1830
1DT1142-1TK04-0FA2	330	450	70	344	3960	2818	2723	2443	-	-	980	1970	1830
1DT1142-1XK04-0FA2	330	450	70	344	3960	2818	2723	2443	-	-	980	1970	1830
1DT1142-2EK04-0FA2	340	450	80	355	4658	2818	2723	2443	-	-	980	1970	1830

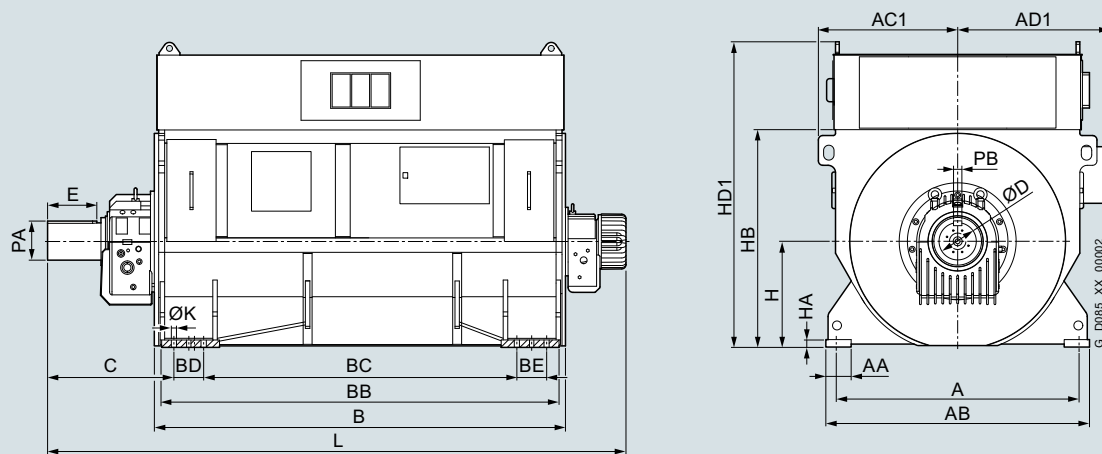
Article No. (repeated)	Dimensions								Weight kg
	HA mm	AA mm	H mm	HB mm	HD ₁ mm	AC ₁ mm	AD ₁ mm	Ø K mm	
4-pole, 6.6 kV, 60 Hz									
1DT1122-1HK04-0FA2	50	170	710	1460	2270	940	1715	56	16057
1DT1122-1PK04-0FA2	50	170	710	1460	2270	940	1715	56	17437
1DT1122-1TK04-0FA2	50	170	710	1460	2270	940	1715	56	18296
1DT1122-1WK04-0FA2	50	170	710	1460	2270	940	1715	56	20649
1DT1122-2CK04-0FA2	50	170	710	1460	2270	940	1715	56	21673
1DT1142-1NK04-0FA2	60	200	800	1630	2330	1050	1825	56	22907
1DT1142-1TK04-0FA2	60	200	800	1630	2330	1050	1825	56	24572
1DT1142-1XK04-0FA2	60	200	800	1630	2330	1050	1825	56	25371
1DT1142-2EK04-0FA2	60	200	800	1630	2330	1050	1825	56	28632

Dimensional drawings (continued)


Article No.	Dimensions												
	Ø D mm	E mm	PB mm	PA mm	L mm	B mm	BB mm	BC mm	BD mm	BE mm	C mm	AB mm	A mm
1DT1 (X ventilation), sleeve bearing													
4-pole, 11 kV, 50 Hz													
1DT1102-1BN04-0FA2	220	280	50	227	3245	2370	2280	1935	–	–	848	1670	1520
1DT1102-1EN04-0FA2	230	330	50	227	3295	2370	2280	1935	–	–	898	1670	1520
1DT1102-1JN04-0FA2	230	330	50	237	3447	2615	2525	2180	–	–	805	1670	1520
1DT1102-1PN04-0FA2	200	280	45	215	3397	2615	2525	2180	–	–	755	1670	1520
1DT1102-1TN04-0FA2	210	280	50	227	3652	2870	2780	2435	–	–	755	1670	1520
1DT1102-1YN04-0FA2	210	280	50	227	3652	2870	2780	2435	–	–	755	1670	1520
Article No. (repeated)	Dimensions									Weight			
	HA mm	AA mm	H mm	HB mm	HD ₁ mm	AC ₁ mm	AD ₁ mm	Ø K mm		kg			
4-pole, 11 kV, 50 Hz													
1DT1102-1BN04-0FA2	45	170	630	1300	2300	855	1840	48		11830			
1DT1102-1EN04-0FA2	45	170	630	1300	2300	855	1840	48		12350			
1DT1102-1JN04-0FA2	45	170	630	1300	2300	855	1840	48		13288			
1DT1102-1PN04-0FA2	45	170	630	1300	2300	855	1840	48		14047			
1DT1102-1TN04-0FA2	45	170	630	1300	2300	855	1840	48		14863			
1DT1102-1YN04-0FA2	45	170	630	1300	2300	855	1840	48		15706			

Technical data

Industrial/Marine applications

IC01 cooling method**Dimensional drawings** (continued)

Article No.	Dimensions												
	Ø D	E	PB	PA	L	B	BB	BC	BD	BE	C	AB	A
	mm	mm	mm	mm	mm	mm	mm	mm	mm	mm	mm	mm	mm

1DT1 (X ventilation), sleeve bearing

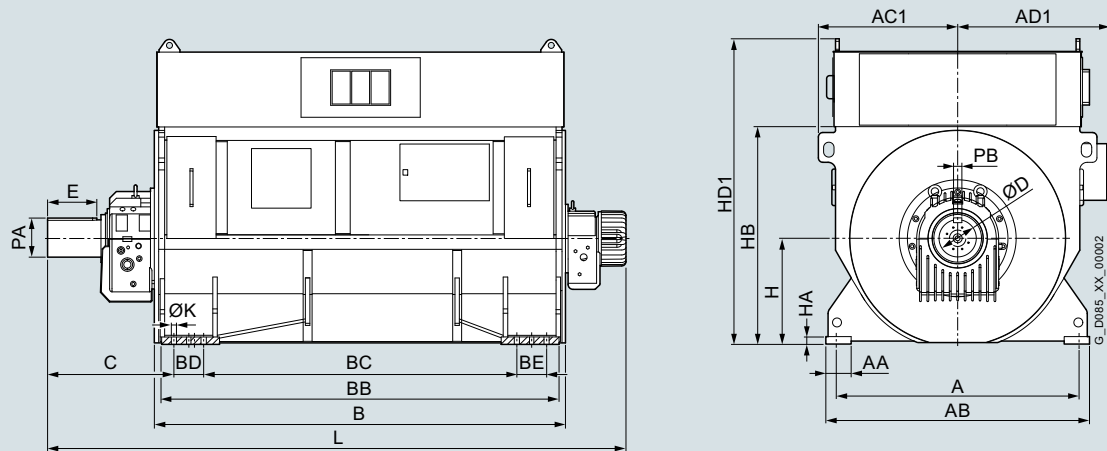
4-pole, 11 kV, 50 Hz (continued)

1DT1122-1PN04-0FA2	240	330	56	252	3820	2750	2660	2465	-	-	925	1770	1630
1DT1122-1TN04-0FA2	250	330	56	262	3820	2750	2660	2465	-	-	925	1770	1630
1DT1122-1WN04-0FA2	260	330	56	272	3994	2924	2834	2639	-	-	925	1770	1630
1DT1122-2CN04-0FA2	280	380	63	292	4044	2924	2834	2639	-	-	975	1770	1630
1DT1122-2HN04-0FA2	280	380	63	292	4874	2924	2834	2639	-	-	860	1770	1630
1DT1142-1TN04-0FA2	330	450	70	344	4092	2818	2723	2443	-	-	1100	1970	1830
1DT1142-1XN04-0FA2	330	450	70	344	4092	2818	2723	2443	-	-	1100	1970	1830
1DT1142-2EN04-0FA2	340	450	80	355	4192	3050	2955	2675	-	-	980	1970	1830
1DT1142-2MN04-0FA2	360	450	80	375	4890	3050	2955	2675	-	-	980	1970	1830

Article No. (repeated)	Dimensions								Weight
	HA	AA	H	HB	HD ₁	AC ₁	AD ₁	Ø K	
	mm	mm	mm	mm	mm	mm	mm	mm	kg

4-pole, 11 kV, 50 Hz

1DT1122-1PN04-0FA2	50	170	710	1460	2270	940	1715	56	17519
1DT1122-1TN04-0FA2	50	170	710	1460	2270	940	1715	56	18178
1DT1122-1WN04-0FA2	50	170	710	1460	2270	940	1715	56	19226
1DT1122-2CN04-0FA2	50	170	710	1460	2270	940	1715	56	20003
1DT1122-2HN04-0FA2	50	170	710	1460	2270	940	1715	56	22874
1DT1142-1TN04-0FA2	60	200	800	1630	2330	1050	1825	56	24522
1DT1142-1XN04-0FA2	60	200	800	1630	2330	1050	1825	56	25525
1DT1142-2EN04-0FA2	60	200	800	1630	2330	1050	1825	56	27257
1DT1142-2MN04-0FA2	60	200	800	1630	2330	1050	1825	56	30816

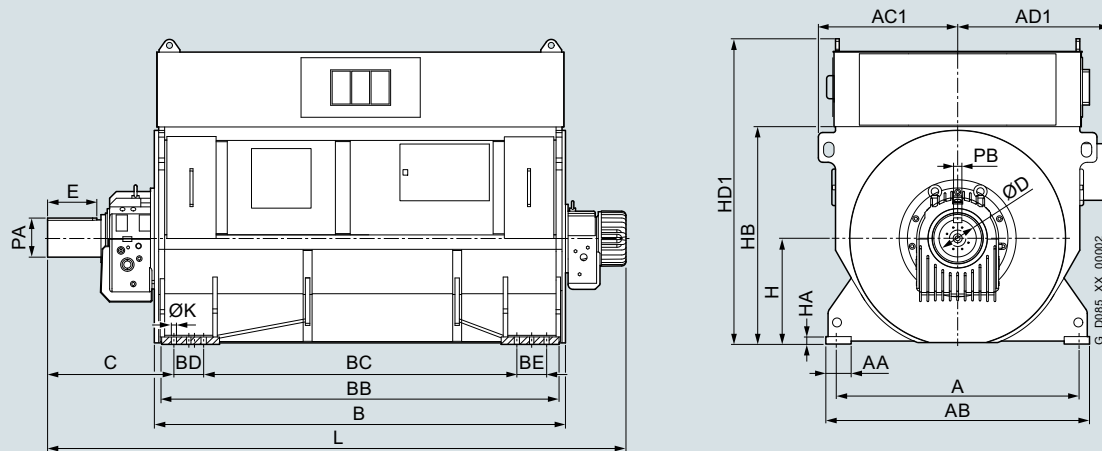
Dimensional drawings (continued)


Article No.	Dimensions												
	Ø D mm	E mm	PB mm	PA mm	L mm	B mm	BB mm	BC mm	BD mm	BE mm	C mm	AB mm	A mm
1DT1 (X ventilation), sleeve bearing													
4-pole, 13.8 kV, 60 Hz													
1DT1102-0VR04-0FA2	210	280	50	217	3245	2370	2280	1935	–	–	848	1670	1520
1DT1102-0XR04-0FA2	210	280	50	215	3245	2370	2280	1935	–	–	848	1670	1520
1DT1102-1BR04-0FA2	210	280	50	215	3245	2370	2280	1935	–	–	848	1670	1520
1DT1102-1ER04-0FA2	220	280	50	215	3245	2370	2280	1935	–	–	848	1670	1520
1DT1102-1JR04-0FA2	230	330	50	237	3447	2615	2525	2180	–	–	805	1670	1520
1DT1102-1PR04-0FA2	230	330	50	260	3447	2615	2525	2180	–	–	805	1670	1520
Article No. (repeated)	Dimensions								Weight				
	HA mm	AA mm	H mm	HB mm	HD ₁ mm	AC ₁ mm	AD ₁ mm	Ø K mm	kg				
4-pole, 13.8 kV, 60 Hz													
1DT1102-0VR04-0FA2	45	170	630	1300	2300	855	1840	48	11014				
1DT1102-0XR04-0FA2	45	170	630	1300	2300	855	1840	48	11255				
1DT1102-1BR04-0FA2	45	170	630	1300	2300	855	1840	48	11769				
1DT1102-1ER04-0FA2	45	170	630	1300	2300	855	1840	48	12236				
1DT1102-1JR04-0FA2	45	170	630	1300	2300	855	1840	48	13169				
1DT1102-1PR04-0FA2	45	170	630	1300	2300	855	1840	48	13897				

Technical data

Industrial/Marine applications

IC01 cooling method

Dimensional drawings (continued)

Article No.	Dimensions												
	Ø D	E	PB	PA	L	B	BB	BC	BD	BE	C	AB	A
	mm	mm	mm	mm	mm	mm	mm	mm	mm	mm	mm	mm	mm

1DT1 (X ventilation), sleeve bearing

4-pole, 13.8 kV, 60 Hz (continued)

1DT1122-1HR04-0FA2	240	330	56	252	3530	2460	2370	2175	-	-	925	1770	1630
1DT1122-1PR04-0FA2	240	330	56	252	3820	2750	2660	2465	-	-	925	1770	1630
1DT1122-1TR04-0FA2	250	330	56	262	3820	2750	2660	2465	-	-	925	1770	1630
1DT1122-1WR04-0FA2	260	380	63	272	4700	2750	2660	2465	-	-	860	1770	1630
1DT1122-2CR04-0FA2	270	380	63	282	4700	2750	2660	2465	-	-	860	1770	1630
1DT1142-1NR04-0FA2	300	380	70	314	3790	2586	2491	2211	-	-	1030	1970	1830
1DT1142-1TR04-0FA2	330	450	70	344	3960	2818	2723	2443	-	-	980	1970	1830
1DT1142-1XR04-0FA2	330	450	70	344	3960	2818	2723	2443	-	-	980	1970	1830
1DT1142-2ER04-0FA2	340	450	80	355	4658	2818	2723	2443	-	-	980	1970	1830

Article No. (repeated)	Dimensions								Weight
	HA	AA	H	HB	HD ₁	AC ₁	AD ₁	Ø K	
	mm	mm	mm	mm	mm	mm	mm	mm	kg
4-pole, 13.8 kV, 60 Hz									
1DT1122-1HR04-0FA2	50	170	710	1460	2270	940	1715	56	16057
1DT1122-1PR04-0FA2	50	170	710	1460	2270	940	1715	56	17437
1DT1122-1TR04-0FA2	50	170	710	1460	2270	940	1715	56	18296
1DT1122-1WR04-0FA2	50	170	710	1460	2270	940	1715	56	20649
1DT1122-2CR04-0FA2	50	170	710	1460	2270	940	1715	56	21673
1DT1142-1NR04-0FA2	60	200	800	1630	2330	1050	1825	56	22907
1DT1142-1TR04-0FA2	60	200	800	1630	2330	1050	1825	56	24572
1DT1142-1XR04-0FA2	60	200	800	1630	2330	1050	1825	56	25371
1DT1142-2ER04-0FA2	60	200	800	1630	2330	1050	1825	56	28632

Options



3/2

Description of options

Options

Description of options

Overview

Using the following options, the SIGENTICS M generators can be adapted to order-specific requirements. The Article No. is supplemented with a "-Z" and with either one or several order codes.

Example:

1DT1142-2EK04-0NA2-Z E51 + D16 + P55 + N42

Ordering data:

- Complete Article No. and order code(s).
- If a quotation is available, in addition to the Article No., the quotation number should also be specified.
- When ordering a complete generator as a spare part, please specify the factory serial No. of the previously supplied generator as well as the Article No.

Order code	Option description	Remark
	Documentation	
B43	Document – production schedule, prepared once	
B44	Document – production schedule, updated every 2 weeks	
B45	Document – production schedule, updated monthly	
	Document language	
D00	German	
D54	Czech	
D55	Polish	
D56	Russian	
D57	Japanese	
D62	Danish	
D71	Romanian	
D72	Italian	
D73	Finnish	
D74	Dutch	
D75	Turkish	
D76	English	Standard
D77	French	
D78	Spanish	
D79	Portuguese	
D80	Bulgarian	
D81	Norwegian	
D82	Hungarian	
D83	Swedish	
D84	Chinese	
D85	Slovenian	
D86	Greek	
D87	Slovak	
D88	Estonian	
D89	Latvian	
D90	Lithuanian	
D91	Serbian	
	Direction of rotation	
K97	Rotation clockwise (CW)	
K98	Rotation counter-clockwise (CCW)	
	Terminal box mounting position	
K09	Terminal box on right-hand side, view from DE	Only for 4-pole
K10	Terminal box on left-hand side, view from DE	Only for 4-pole
N84	Terminal box rotated through 90°, cable entry from NDE	Only for 4-pole
	Terminal box, main and auxiliary terminal box	
M50	Auxiliary terminal box coated steel	Standard
M51	Auxiliary terminal box material: Stainless steel	
M52	Separate auxiliary terminal box for anti-condensation heater	

Overview (continued)

Order code	Option description	Remark
	Terminal box – accessories/equipping	
L01	Undrilled cable entry plate on main terminal box	
M59	Multi cable transit (MCT) frame on the main terminal box	
P82	3 voltage transformers for 3-phase sensing, mounted in main terminal box	
P85	3 current transformers for differential protection, mounted in main terminal box	
P93	3 current transformers for differential protection, loose supply	
	Cooling air monitoring	
A44	1 resistance thermometer Pt100 for 3- or 4-wire connection from terminal box for cold air temperature	
A45	1 resistance thermometer Pt100 for 3- or 4-wire connection from terminal box for hot air temperature	
A46	1 double resistance thermometer Pt100 for 3- or 4-wire connection from terminal box, for cold air temperature	
A47	1 double resistance thermometer Pt100 for 3- or 4-wire connection from terminal box, for hot air temperature	
A86	1 dial-type thermometer with 2 NO-Contacts for cold air temperature incl. terminal box	
A87	1 dial-type thermometer with 2 NO-Contacts for hot air temperature incl. terminal box	
	Bearing version/instrumentation	
H09	DIN flange type for forced oil lubrication for oil inlet with flowmeter and throttle valve (incl. counter flange)	
H11	DIN flange type forced oil lubrication for oil outlet with sight glass (incl. counter flange)	
H10	ANSI flange type for forced oil lubrication for oil inlet with flowmeter and throttle valve (incl. counter flange)	
H12	ANSI flange type for forced oil lubrication for oil outlet with sight glass (incl. counter flange)	
L18	Insulated bearing on DE	
L27	Insulated bearing on NDE	Standard
	Bearing monitoring – sleeve bearings	
P62	Bearing housing vibration monitoring, X-direction (1 detector per bearing)	
P63	Provision for bearing housing vibration monitoring (reference plain)	
A02	Shaft vibration monitoring for sleeve bearings, Bently Nevada system	
A39	Prepared for shaft vibration monitoring for sleeve bearings (without monitoring system)	
A41	2 resistance thermometers Pt100 for 3- or 4-wire connection from terminals for sleeve bearing	Standard for sleeve bearing
A43	2 double resistance thermometers Pt100 for 3- or 4-wire connection from terminals for sleeve bearing	
	Bearing monitoring – anti-friction bearings	
A40	2 resistance thermometers Pt100 for, 3- or 4-wire connection from terminal box for anti-friction bearings	Standard for anti-friction bearing
A42	2 double resistance thermometers Pt100 for 3- or 4-wire connection from terminals for anti-friction bearings	
G50	Shock pulse measuring nipple (SPM) at DE and NDE	
H05	Shock pulse monitoring (SPM), fixed sensor and junction box	
	Heat exchangers	
P51	Single tube, air-water heat exchanger, CuNi90/10 tubes	Standard for IC81W cooling
P55	Double tube, air-water heat exchanger, CuNi90/10 tubes	
Q20	2 × single tube, air-water heat exchanger, CuNi90/10 tubes (66 % of rated output with 1 cooler element failure)	
P34	Bleeder and breather vents	Standard for IC81W cooling
P57	Pressure relief valve at the cooler	
H08	Water leakage detection - dry contact type	
P60	Water leakage detection - floating type	
N35	Emergency windows for cooler failure (with 80 % power)	

Options

Description of options

Overview (continued)

Order code	Option description	Remark
	Mechanical versions	
V65	Forged flange type shaft end	Only for 4-pole
	Others/additional options	
A05	Earthing brush	
Y86	IM1101 elevated feet - custom feet position (an inquiry must be sent to the factory)	
K48	Degree of protection IP54	Standard for IC81W and IC616 cooling
K49	Degree of protection IP55	
L17	Mounting of coupling hub on generator shaft end (machined and balanced hub to be delivered to factory)	
L31	Generator mounting materials for mounting on a steel foundation: Bolts, shims and taper dowels	
L32	Generator mounting materials for mounting on a concrete foundation or concrete base: Threaded bolts, armature plates, sole plates, shims and taper dowels	
L33	Generator mounting materials to mount on a concrete foundation or concrete base: T-head bolts, foundation bolt sleeves, sole plates, shims and taper dowels	
	Paintwork	
K24	Primer only	2 layers with a total thickness of approx. 160 µm
K25	Standard paint finish in RAL 7030	3 layers with a total thickness of approx. 240 µm
K26	Special paint finish in RAL 7030	4 layers with a total thickness of approx. 360 µm
Y53	Standard paint finish in a color different from RAL 7030	3 layers with a total thickness of approx. 240 µm
Y54	Special paint finish in a color different from RAL 7030	4 layers with a total thickness of approx. 360 µm
	Anti-condensation heating	
L08	Anti-condensation heater, rated voltage 400 V	
L09	Anti-condensation heater, rated voltage 500 V	
M12	Anti-condensation heater for 110 to 120 V	
M13	Anti-condensation heater for 220 to 240 V	
	Ambient conditions	
D11	Ambient temperature 45 °C	
D12	Ambient temperature 50 °C	
D13	Ambient temperature 55 °C	
D14	Ambient temperature 60 °C	
D15	Cooling water temperature 30 °C	
D16	Cooling water temperature 35 °C	
D17	Cooling water temperature 40 °C	
D06	Elevation of the installation site, 1500 m above sea level	
D07	Elevation of the installation site, 2000 m above sea level	
E81	Outdoor use with high salinity or offshore applications (corrosivity grade C5-M/ C5-I)	
E83	Outdoor use with low salinity (corrosivity grade C3)	Standard
	Winding and motor protection	
A54	6 embedded resistance thermometers Pt100 for 3- or 4-wire connection from terminal box	Standard

Overview (continued)

Order code	Option description	Remark
	Tests without acceptance	
F00	All standard tests (routine test), without acceptance	Standard
F22	Measurement of dielectric loss factor (tan d) on single coils, without acceptance	
F26	Measurement of dielectric loss factor (tan d) on windings, without acceptance	
F28	Noise test at no load, without acceptance	
F36	Determination of moment of inertia, without acceptance	
F42	Conformance test (Wet test), without acceptance	
F46	Partial discharge test, without acceptance	
F54	Measurement of the polarization index, without acceptance	
F56	Measurement of shaft vibrations, without acceptance	
F58	Vibration analysis, without acceptance	
F60	Destructive tests of 2 coils, without acceptance	
F70	Ultrasonic test on shaft, without acceptance	
F72	Magnetization test of laminated core, without acceptance	
F76	Magnetic particle testing of shaft, without acceptance	
F77	Paint quality check, without acceptance	
F78	Magnetic particle testing of housing, without acceptance	
F82	Type test, without acceptance	
F86	Run out measurement, without acceptance	
	Tests with acceptance	
F01	Routine test, with acceptance	
F03	Visual inspection, with acceptance	
F23	Measurement of dielectric loss factor (tan d) on single coils, with acceptance	
F27	Measurement of dielectric loss factor (tan d) on windings, with acceptance	
F29	Noise test at no load, with acceptance	
F37	Determination of moment of inertia, with acceptance	
F43	Conformance test (Wet test), with acceptance	
F47	Partial discharge test, with acceptance	
F55	Measurement of the polarization index, with acceptance	
F57	Measurement of shaft vibrations, with acceptance	
F61	Destructive tests of 2 coils, with acceptance	
F71	Rotor balancing, with acceptance	
F73	Magnetization test of laminated core, with acceptance	
F79	Check of packing by client or 3rd party inspector	
F83	Type test, with acceptance	
	Marine certification	
E21	Generator for marine applications class by Lloyds Registry of Shipping (LRS)	
E31	Generator for marine applications class by Bureau Veritas (BV)	
E51	Generator for marine applications class by Det Norske Veritas Germanischer Lloyd (DNV GL)	
E61	Generator for marine applications class by American Bureau of shipping (ABS)	
E71	Generator for marine applications class by China Classification Society (CCS)	
	Voltage regulator and excitation	
N41	Voltage regulator DECS150	
N42	Voltage regulator DECS250 (loose part)	
N43	Voltage regulator DECS250 (with separate IP44 cubicle)	
N44	Diode failure monitoring module for DECS150 (EDM200)	
N45	Transmitter 4 to 20 mA for excitation current	

Options

Notes

3

Generators for hazardous areas



4/2	Classification of zones
4/3	Definition of Ex marking
4/4	Availability for SIGENTICS M

Generators for hazardous areas

Classification of zones

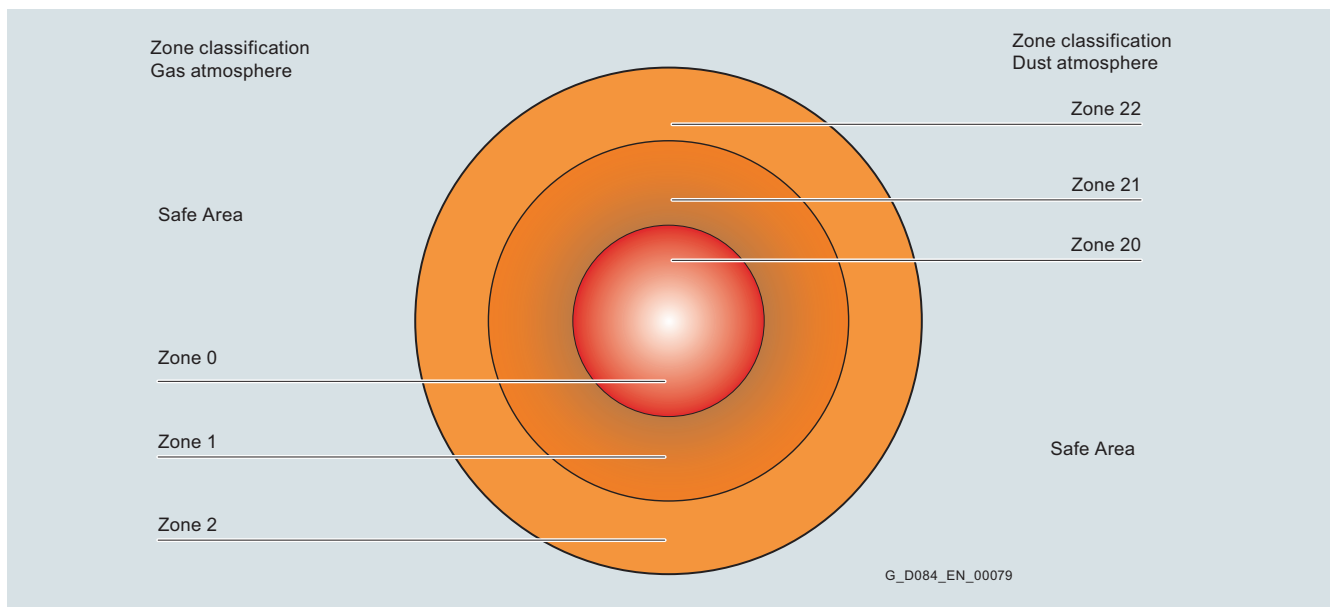
Overview

In many industries, the manufacture, processing, transport or storage of combustible materials results in the creation or re-release of gases, vapors or mist into the environment. Combustible dusts are created in other processes.

Explosive atmospheres are formed when gases, vapors, mist or dust come into contact with oxygen in the air. If ignited, this can result in an explosion. In the chemical and petrochemical industries in particular, when crude oil and natural gas are transported, or in mining, milling (e.g. grain and granular solids), this can result in serious injury to personnel and damage to equipment.

To ensure maximum safety in these areas, legislators in most countries have implemented appropriate stipulations in the form of laws and regulations based on national and international standards.

Hazardous areas are classified in zones. Classification in zones depends on the probability of the presence of an explosive atmosphere, the duration and the location. Information and specifications regarding classification in zones are provided in IEC/EN 60079-10-1 for gas atmospheres and in IEC/EN 60079-10-2 for potentially explosive atmospheres as a result of dust. Further, a distinction is made between various explosion groups as well as temperature classes and these are included in the hazard assessment.




Depending on the particular zone and therefore the associated hazard, operating equipment must comply with defined minimum requirements regarding the type of protection. The different types of protection require corresponding measures to prevent ignition that should be implemented at the generator in order to prevent that a surrounding explosive atmosphere is ignited.

Overview

Note

SIGENTICS M generators for hazardous areas are available on request only.

Generators for use in hazardous areas are certified according to the EC Directive 2014/34/EU (ATEX) or other regional certification schemes and are marked according to the following schematic.

Description	Acc. to Directive 2014/34/EU (ATEX)						Acc. to Standards (IEC/EN)					
	Example, pressurized enclosure:	CE	XXXX		II	2	G	Ex	pxb	II	T3	X
CE marking												
Number of the certifying "notified body"												
Ex symbol for explosion protected equipment												
Groups: <ul style="list-style-type: none"> • I = mining • II = other than mining 												
Category: <ul style="list-style-type: none"> • 2 (Zone 1/21) • 3 (Zone 2/22) 												
Explosive atmosphere <ul style="list-style-type: none"> • G = gas • D = dust 												
Explosion protected equipment												
Types of protection ec, pxb, pzb available on request!												
Explosion group, where relevant, restricted (Gas: IIA, IIB, IIC; Dust: IIIA, IIIB, IIIC)												
Temperature class with max. surface temperature <ul style="list-style-type: none"> • T1 ≤ 450 °C • T2 ≤ 300 °C • T3 ≤ 200 °C (standard for generators from Siemens PD LD AP) • T4 ≤ 135 °C 												
Alternatively the maximum surface temperature may be marked: e.g. T125 °C (possible for gas, necessary for dust explosion protected machines)												
Special conditions according to the operating instructions or type examination certificate												

Generators for hazardous areas

Availability for SIGENTICS M

Overview

Zone Dust ¹⁾	Gas ²⁾	Zone definition acc. to IEC/EN 60079-10-1 for Gas atmospheres IEC/EN 60079-10-2 for dust atmospheres	Assigned types of protection	Category according to 94/9/EC
–	2	An area in which in normal operation it is not expected that an explosive gas atmosphere occurs and if so, only infrequently and only briefly.	Ex ec, Ex pzb	3G
–	1	An area in which it is expected that an explosive gas atmosphere occurs during normal operation.	Ex pxb	2G

Type of protection, pressurized enclosure Ex pxb acc. to IEC/EN 60079-2

In the generator, protective gas is kept under pressure in relation to the surrounding atmosphere to prevent the penetration of explosive atmospheres. The inside of the generator must be flushed with a protective gas before it is switched on.

Type of protection, Ex ec acc. to IEC/EN 60079-7

The type of protection Ex nA ensures that a generator in normal operation as well as when operated under deviating conditions as specified in the standard is not in a position to ignite a surrounding explosive gas atmosphere.

¹⁾ Industrial generators for dust zones are not available.

²⁾ Generators for Zone 1 may also be used in Zone 2.

Generators for marine applications



5/2 **General technical versions**

5/3 **Cooling and options**

Generators for marine applications

General technical versions

Overview



The SIGENTICS series in a marine version has been designed for below-deck operation on ships and platforms and for off-shore applications.

The generators onboard ships are subdivided into categories, depending on the field of application:

- **Diesel-electric propulsion or main power supply** for electric propulsion motors and thrusters
- **Diesel-electric auxiliary** power supply
- **Shaft generator** – connected either directly or non-directly through gearbox to the vessel shaft, also PTI/PTO solution.
- **Emergency generator** – comes into action when main power is lost. Blackout start-up condition must be ensured.

As the assignment of a generator to one of the categories has a direct impact on the scope of the marine options, this must be known when ordering the generator.

Further, the vessel's hull number and shipyard name must be given to the factory with the purchase order for a timely begin of the certification process.

Bearings

Generators are equipped with sleeve or anti-friction bearings. Major criterion for selecting the proper bearing and lubrication is the inclination of the vessel.

Note: The crankshaft of the engine might create additional axial forces that need to be taken into consideration together with the inclinations. This might result in the need of larger bearings or more effective cooling of the bearings.

Inclinations

List of available inclination categories

	Static	Dynamic
Standard vessel inclination	Athwartships: $\pm 15^\circ$ Fore and aft: $\pm 5^\circ$	Athwartships: $\pm 22,5^\circ$ Fore and aft: $\pm 7,5^\circ$
Emergency vessel inclination	Athwartships: $\pm 22,5^\circ$ Fore and aft: $\pm 10^\circ$	Athwartships: $\pm 22,5^\circ$ Fore and aft: $\pm 10^\circ$
Standard platform inclination	$\pm 15^\circ$	$\pm 25^\circ$
Emergency platform inclination	$\pm 25^\circ$	$\pm 25^\circ$

The generator axis is always parallel to the for-and-aft axis of the ship.

Individual acceptance by classification society

The generator is assigned an individual certificate of the classification society – acceptance test certificate 3.2 according to EN10204.

When stipulated by the classification society rules, a stamp of the classification society is attached to the enclosure rating plate and shaft.

List of available classification authorities

Society	Abbreviation	Location
American Bureau Of Shipping	ABS	USA
Bureau Veritas	BV	France
China Classification Society	CCS	China
Det Norske Veritas – Germanischer Lloyd	DNV GL	Norway/Germany
Korean Register	KR	Korea
Lloyds Register	LR	UK
Registro Italiano Navale	RINA	Italy
Russian Maritime Register of Shipping	RMRS	Russia

Overload

The robust design of the machines allows a certain electrical overload. Without any damage to the winding, the generators can be overloaded by stator current up to 150 % of the nominal current value and up to 2 minutes.

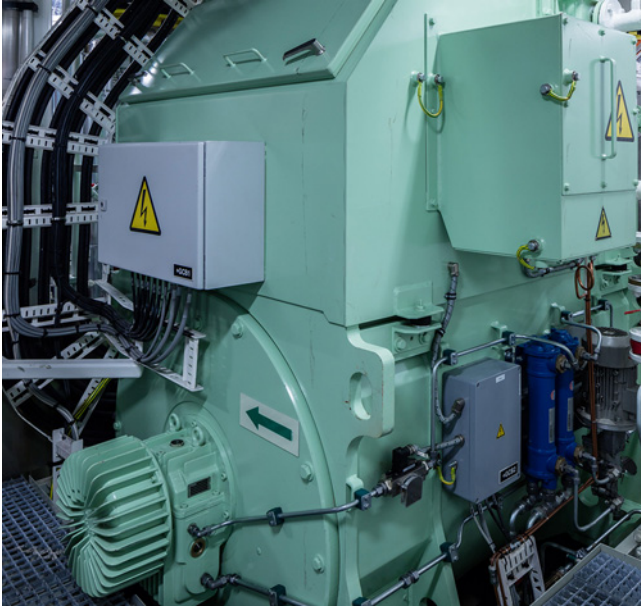
Constant short-circuit current

To ensure a correct function of protection devices, the generator is able to supply a "short-circuit" current, the value of which is triple of the nominal current. This current must be disconnected by the means of a protective system within three seconds at the latest.

Design types

1D generators are manufactured as two-bearing, designed according to IM1101, IM1001 or single-bearing respectively. Other design on request. Axial height and connection dimensions are variable dependent of the design type. Generator feet positions can be adapted to the engine manufacturers' requirements.

Overview



Degree of protection and cooling

The basic types of generators are designed according to IP44 (IP54, IP55) and IP23. 1D generators can be delivered with IC01 cooling using the surrounding air from the local environment with protection IP23.

In case of water cooling (IC81W) with degree of protection IP44 (IP54, IP55) the cooling elements are located on top of the machine and are of double tube design.

For heat exchanger water leakages, an emergency mode is optionally available (reduction of degree of protection to IP21). If the ambient conditions require it, generators using open-circuit air cooling can be fitted with air-intake filters.

Cooling water quality

Air-to-water heat exchangers are suitable for both fresh and sea cooling water.

Certification company	Ambient temperature	Temperature class B						Temperature class F					
		Stator				Salient pole rotor	Cylindrical rotor	Stator				Salient pole rotor	Cylindrical rotor
		< 5000 kVA		≥ 5000 kVA				< 5000 kVA		≥ 5000 kVA			
R ¹⁾	ETD ²⁾	R ¹⁾	ETD ²⁾	R ¹⁾	R ¹⁾	R ¹⁾	ETD ²⁾	R ¹⁾	ETD ²⁾	R ¹⁾	R ¹⁾		
°C	°C	°C	°C	°C	°C	°C	°C	°C	°C	°C	°C	°C	
ABS	50	120	130	120	125	120	130	145	150	140	145	145	150
BV	45	120	130	120	125	120	130	145	150	140	145	145	150
CCS	45	120	130	120	125	120	130	145	150	140	145	145	150
DNV GL	45	120	130	120	125	120	130	145	150	140	145	145	150
LRS	45	115	125	115	120	115	125	140	145	135	140	140	145
RINA	45	120	130	120	125	120	130	145	155	145	150	145	150

Options for marine motors

Order code	Option description	Remark
	Ship certification	
E21	Generator for marine applications class by Lloyds Registry of Shipping (LRS)	
E31	Generator for marine applications class by Bureau Veritas (BV)	
E51	Generator for marine applications class by Det Norske Veritas Germanischer Lloyd (DNV GL)	
E61	Generator for marine applications class by American Bureau of shipping (ABS)	
E71	Generator for marine applications class by China Classification Society (CCS)	

¹⁾ Determination via resistance

²⁾ Determination via embedded temperature detector

Generators for marine applications

Notes

Service & Support



6/2
6/3
6/4

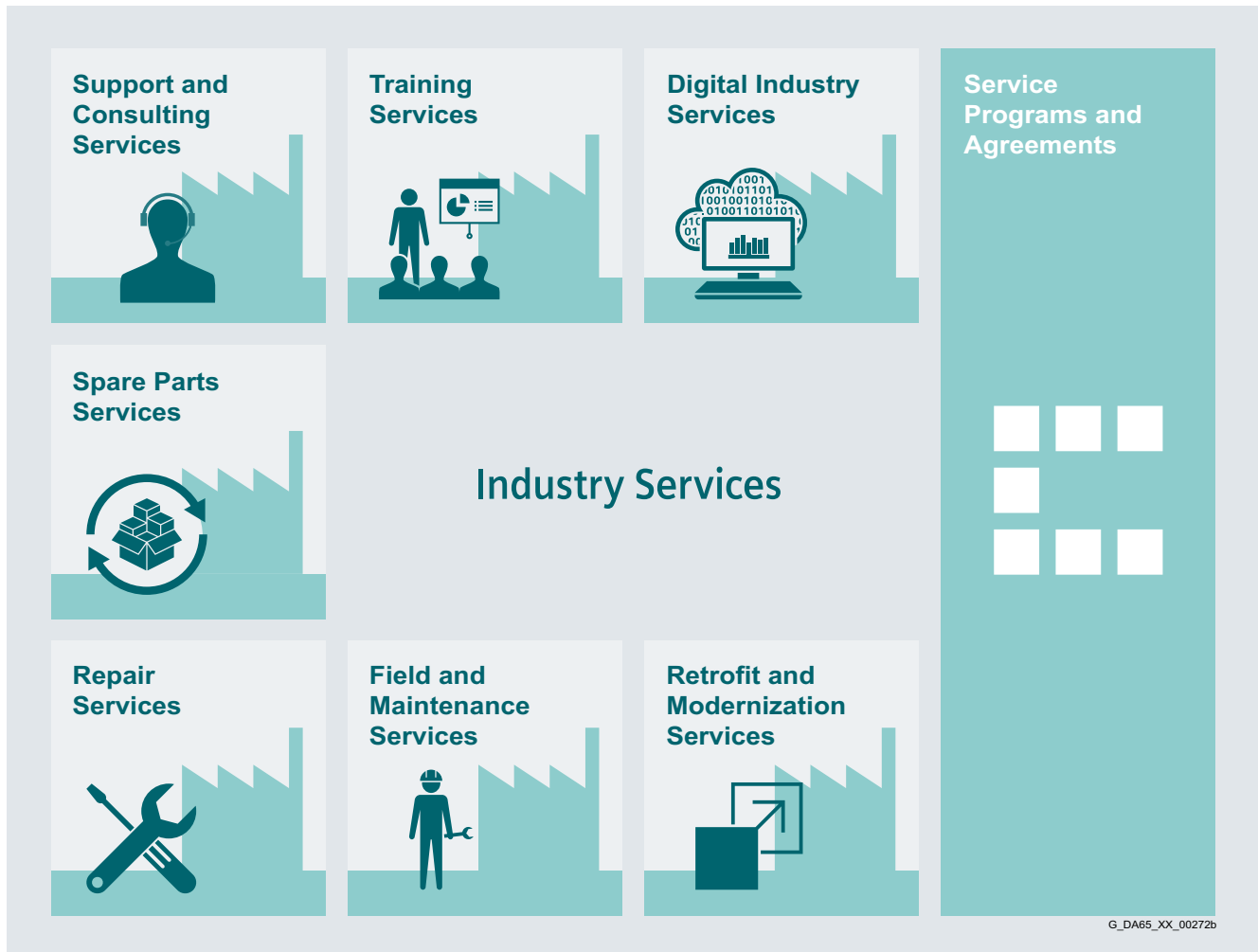
Industry Services

Industry Services – Portfolio overview
Online Support

Service & Support

Industry Services

Overview



Keep your business running and shaping your digital future – with Industry Services

Optimizing the productivity of your equipment and operations can be a challenge, especially with constantly changing market conditions. Working with our service experts makes it easier. We understand your industry's unique processes and provide the services needed so that you can better achieve your business goals.

You can count on us to maximize your uptime and minimize your downtime, increasing your operations' productivity and reliability. When your operations have to be changed quickly to meet a new demand or business opportunity, our services give you the flexibility to adapt. Of course, we take care that your production is protected against cyber threats. We assist in keeping your operations as energy and resource efficient as possible and reducing your total cost of ownership. As a trendsetter, we ensure that you can capitalize on the opportunities of digitalization and by applying data analytics to enhance decision making: You can be sure that your plant reaches its full potential and retains this over the longer lifespan.

You can rely on our highly dedicated team of engineers, technicians and specialists to deliver the services you need – safely, professionally and in compliance with all regulations. We are there for you, where you need us, when you need us.

www.siemens.com/industryservices

Overview



Digital Industry Services

Digital Industry Services make your industrial processes transparent to gain improvements in productivity, asset availability, and energy efficiency.

Production data is generated, filtered and translated with intelligent analytics to enhance decision-making.

This is done whilst taking data security into consideration and with continuous protection against cyber-attack threats.

<https://www.siemens.com/global/en/home/products/services/industry/digital-services.html>

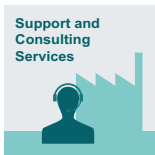


Training Services

From the basics and advanced to specialist skills, SITRAIN courses provide expertise right from the manufacturer – and encompass the entire spectrum of Siemens products and systems for the industry.

Worldwide, SITRAIN courses are available wherever you need a training course in more than 170 locations in over 60 countries.

<https://support.industry.siemens.com/cs/ww/en/sc/2226>



Support and Consulting Services

Industry Online Support site for comprehensive information, application examples, FAQs and support requests.

Technical and Engineering Support for advice and answers for all inquiries about functionality, handling, and fault clearance. The Service Card as prepaid support for value added services such as Priority Call Back or Extended Support offers the clear advantage of quick and easy purchasing.

Information & Consulting Services, e.g. SIMATIC System Audit; clarity about the state and service capability of your automation system or Lifecycle Information Services; transparency on the lifecycle of the products in your plants.

<https://support.industry.siemens.com/cs/ww/en/sc/2235>



Spare Parts

Spare Parts Services are available worldwide for smooth and fast supply of spare parts – and thus optimal plant availability. Genuine spare parts are available for up to ten years. Logistic experts take care of procurement, transport, custom clearance, storage and order management.

Reliable logistics processes ensure that components reach their destination as needed.

Since not all spare parts can be kept in stock at all times, Siemens offers a preventive measure for spare parts provisioning on the customer's premises with optimized **Spare Parts Packages** for individual products, custom-assembled drive components and entire integrated drive trains – including risk consulting.

Asset Optimization Services help you design a strategy for parts supply where your investment and carrying costs are reduced and the risk of obsolescence is avoided.

<https://support.industry.siemens.com/cs/ww/en/sc/2110>



Repair Services

Repair Services are offered on-site and in regional repair centers for fast restoration of faulty devices' functionality.

Also available are extended repair services, which include additional diagnostic and repair measures, as well as emergency services.

<https://support.industry.siemens.com/cs/ww/en/sc/2154>



Field and Maintenance Services

Siemens specialists are available globally to provide expert field and maintenance services, including commissioning, functional testing, preventive maintenance and fault clearance.

All services can be included in customized service agreements with defined reaction times or fixed maintenance intervals.

<https://support.industry.siemens.com/cs/ww/en/sc/2265>



Retrofit and Modernization Services

Provide a cost-effective solution for the expansion of entire plants, optimization of systems or upgrading existing products to the latest technology and software, e.g. migration services for automation systems.

Service experts support projects from planning through commissioning and, if desired over the entire extended lifespan, e.g. Retrofit for Integrated Drive Systems for an extended lifetime of your machines and plants.

<https://support.industry.siemens.com/cs/ww/en/sc/2286>



Service Programs and Agreements

A technical Service Program or Agreement enables you to easily bundle a wide range of services into a single annual or multi-year agreement.

You pick the services you need to match your unique requirements or fill gaps in your organization's maintenance capabilities.

Programs and agreements can be customized as KPI-based and/or performance-based contracts.

<https://support.industry.siemens.com/cs/ww/en/sc/2275>

Service & Support

Industry Services

Online Support

Overview

Online Support – fast, intuitive, whenever you want, wherever you need



Web
support.industry.siemens.com

App

GET IT ON Google Play | GET IT ON App Store | SEARCH FOR SIEMENS ON MICROSOFT STORE

Scan the QR code for information on our Online Support app.



- FAQ / Application examples**
Information about industrial products, programming and configuration as well as application examples
- Technical Information**
Videos, documentation, manuals, updates, product notes, compatibility tool, certificates, planning data such as dimensional drawings, product data, 3D models
- Forum**
Exchange information and experience with other users and experts

Online Support for Siemens Products for Industry

Siemens Industry and Online Support with some 1.7 million visitors per month is one of the most popular web services provided by Siemens. It is the central access point for comprehensive technical know-how about products, systems and services for automation and drives applications as well as for process industries.

In connection with the challenges and opportunities related to digitalization you can look forward to continued support with innovative offerings.

Appendix

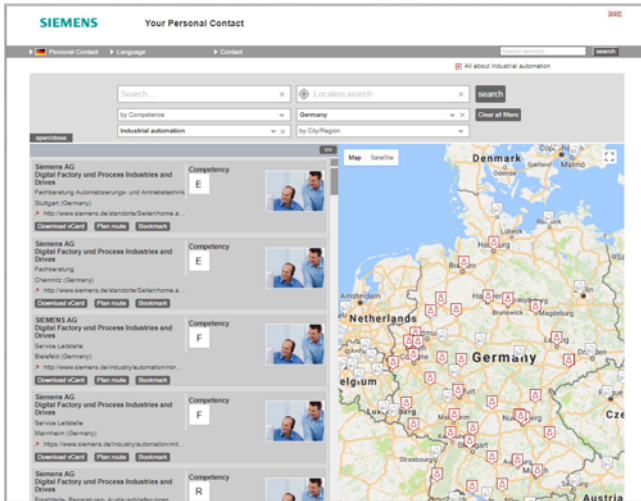


7/2	Partner · Industry Mall and Interactive Catalog CA 01
7/4	Subject index
7/7	Conditions of sale and delivery

Appendix

Partner · Industry Mall and Interactive Catalog CA 01

Partner at Siemens



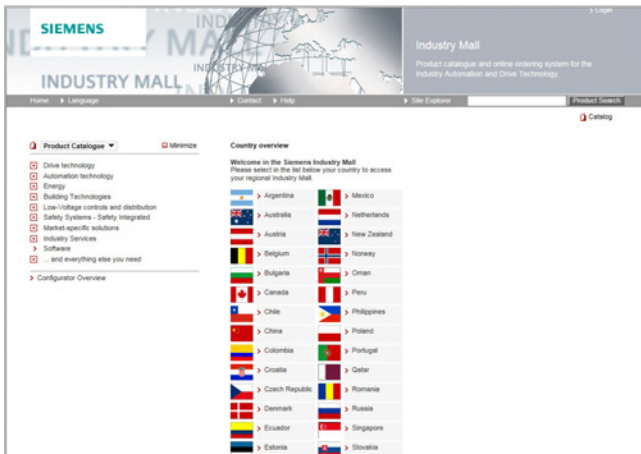
At your service locally, around the globe for consulting, sales, training, service, support, spare parts on the entire portfolio of Digital Factory and Process Industries and Drives.

Your partner can be found in our Personal Contacts Database at: www.siemens.com/automation-contact

You start by selecting

- the required competence,
 - products and branches,
 - a country and a city
- or by a
- location search or free text search.

Easy product selection and ordering in the Industry Mall and with the Interactive Catalog CA 01



Industry Mall

The Industry Mall is a Siemens Internet ordering platform. Here you have a clear and informative online access to a huge range of products.

Powerful search functions make it easy to select the required products. Configurators enable you to configure complex product and system components quickly and easily. CAx data types are also provided here.

Data transfer allows the whole procedure, from selection through ordering to tracking and tracing, to be carried out online. Availability checks, customer-specific discounts and bid creation are also possible.

www.siemens.com/industrymall



Interactive Catalog CA 01 - Products for Automation and Drives

The Interactive Catalog CA 01 combined with the Siemens Industry Mall unites the benefits of offline and online media in one application – the performance of an offline catalog with the availability of manifold and up-to-date information on the Internet.

Select products and assemble orders with the CA 01, determine the availability of the selected products and track & trace via the Industry Mall.

More information and download: www.siemens.com/automation/ca01

Downloading catalogs

The screenshot displays the Siemens Information and Download Center interface. At the top, there is a navigation bar with the Siemens logo and a search bar. Below this, the main content area is titled "Information and Download Center". It features a filter dialog with tabs for "Catalogs (242)", "Brochures (150)", "Customer Magazines (8)", and "Demo Software (15)". A search filter is set to "10" and the results are displayed in "English". The list shows two items:

- Catalog D 11 - 2015 (13 MB)**: Order number: E3030A5511-A101-A6-7000. Includes SINAMICS G130 Drive Converter Chassis Units and SINAMICS G150 Drive Converter Cabinet Units.
- Catalog D 12 - 2017 with dimension drawings**: Order number: keine Bestellnummer vorhanden. Includes Medium voltage drives, SINAMICS GM150, and SINAMICS SM150 with dimension drawings.

On the right side, there is a "Products & Services" section with a list of categories and their counts:

- Building Technologies (2)
- Drive technology (294)
- Energy (11)
- Industrial automation (922)
- Low-voltage controls and distribution (32)
- Safety systems - Safety Integrated (31)
- Services (8)
- Software (1)

Below this, there is an "All about Products & Services" section with links to "Presales info", "Catalog and ordering system online", "Technical info", "Support", and "Service offer".

In the Information and Download Center you can download catalogs and brochures in PDF format without having to register. The filter dialog makes it possible to carry out targeted searches.

www.siemens.com/industry/infocenter

Appendix

Subject index

A	
Air/water heat exchanger (IC81W)	1/6
Article number code	1/3
B	
Bearing insulation	1/10
Bearing version	1/10
C	
Conditions of sale and delivery	7/7
D	
Derating factors	1/5
Dimensional drawings	2/49
• IC01 cooling method	2/157
• IC81W cooling method	2/49
Downloading catalogs	7/3
E	
Electrical design	1/7
Export regulations	7/8
G	
Generator connection and terminal boxes	1/8
Generator protection	1/7
Generators for hazardous areas	4/1
• Availability for SIGENTICS M	4/4
• Classification of zones	4/2
• Definition of Ex marking	4/3
Generators for marine applications	5/1
• Cooling and options	5/3
• General technical versions	5/2
H	
High-voltage power range for IEC generators 1DK1, 1DT1 series	2/4
I	
Industry Mall	7/2
Industry Services	6/2
Interactive Catalog CA 01	7/2
L	
Low-voltage power range for IEC generators 1DK1, 1DT1 series	2/3
O	
Online Support	6/4
Open-circuit ventilation (IC01)	1/6
Options	3/2
P	
Partner at Siemens	7/2
Performance features of the SIGENTICS M series	1/5
Power range	
• High-voltage power range for IEC generators 1DK1, 1DT1 series	2/4
• Low-voltage power range for IEC generators 1DK1, 1DT1 series	2/3
S	
Selection and ordering data	2/5
• DNV GL	2/27
• IEC	2/5
Service & Support	3/1
SIGENTICS M (modular)	
• Industrial applications	2/5
• Marine applications	2/27
• Overview	1/2
• Technical data	2/2
SIMOTICS M (modular)	
• Selection and ordering data	2/5
Structure of the Article No.	1/3
T	
Terminal boxes	1/8

Appendix

Notes

1. General Provisions

By using this catalog you can acquire hardware and software products described therein from Siemens AG subject to the following Terms and Conditions of Sale and Delivery (hereinafter referred to as "T&C"). Please note that the scope, the quality and the conditions for supplies and services, including software products, by any Siemens entity having a registered office outside Germany, shall be subject exclusively to the General Terms and Conditions of the respective Siemens entity. The following T&C apply exclusively for orders placed with Siemens Aktiengesellschaft, Germany.

1.1 For customers with a seat or registered office in Germany

For customers with a seat or registered office in Germany, the following applies subordinate to the T&C:

- for installation work the "General Conditions for Erection Works – Germany"¹⁾ ("Allgemeine Montagebedingungen – Deutschland" (only available in German at the moment)) and/or
- for Plant Analytics Services the "Standard Terms and Conditions for Plant Analytics Services – for Customer in Germany"¹⁾ ("Allgemeine Geschäftsbedingungen für das Plant Analytics Services – für Kunden in Deutschland" (only available in German at the moment)) and/or
- for stand-alone software products and software products forming a part of a product or project, the "General License Conditions for Software Products for Automation and Drives for Customers with a Seat or registered Office in Germany"¹⁾ and/or
- for other supplies and/or services the "General Conditions for the Supply of Products and Services of the Electrical and Electronics Industry"¹⁾.
In case such supplies and/or services should contain Open Source Software, the conditions of which shall prevail over the "General Conditions for the Supply of Products and Services of the Electrical and Electronics Industry"¹⁾. A notice will be contained in the scope of delivery in which the applicable conditions for Open Source Software are specified. This shall apply mutatis mutandis for notices referring to other third party software components.

1.2 For customers with a seat or registered office outside Germany

For customers with a seat or registered office outside Germany, the following applies subordinate to the T&C:

- for Plant Analytics Services the "Standard Terms and Conditions for Plant Analytics Services"¹⁾ and/or
- for services the "International Terms & Conditions for Services"¹⁾ supplemented by "Software Licensing Conditions"¹⁾ and/or
- for other supplies of hard- and/or software the "International Terms & Conditions for Products"¹⁾ supplemented by "Software Licensing Conditions"¹⁾

1.3 For customers with master or framework agreement

To the extent our supplies and/or services offered are covered by an existing master or framework agreement, the terms and conditions of that agreement shall apply instead of T&C.

2. Prices

The prices are in € (Euro) ex point of delivery, exclusive of packaging.

The sales tax (value added tax) is not included in the prices. It shall be charged separately at the respective rate according to the applicable statutory legal regulations.

Prices are subject to change without prior notice. We will charge the prices valid at the time of delivery.

To compensate for variations in the price of raw materials (e.g. silver, copper, aluminum, lead, gold, dysprosium and neodym), surcharges are calculated on a daily basis using the so-called metal factor for products containing these raw materials. A surcharge for the respective raw material is calculated as a supplement to the price of a product if the basic official price of the raw material in question is exceeded.

The metal factor of a product indicates the basic official price (for those raw materials concerned) as of which the surcharges on the price of the product are applied, and with what method of calculation.

An exact explanation of the metal factor can be downloaded at:

www.siemens.com/automation/salesmaterial-as/catalog/en/terms_of_trade_en.pdf

To calculate the surcharge (except in the cases of dysprosium and neodym), the official price from the day prior to that on which the order was received or the release order was effected is used.

To calculate the surcharge applicable to dysprosium and neodym ("rare earths"), the corresponding three-month basic average price in the quarter prior to that in which the order was received or the release order was effected is used with a one-month buffer (details on the calculation can be found in the explanation of the metal factor).

3. Additional Terms and Conditions

The dimensions are in mm. In Germany, according to the German law on units in measuring technology, data in inches apply only to devices for export.

Illustrations are not binding.

Insofar as there are no remarks on the individual pages of this catalog - especially with regard to data, dimensions and weights given - these are subject to change without prior notice.

¹⁾ The text of the Terms and Conditions of Siemens AG can be downloaded at www.siemens.com/automation/salesmaterial-as/catalog/en/terms_of_trade_en.pdf

Appendix

Conditions of sale and delivery

4. Export regulations

We shall not be obligated to fulfill any agreement if such fulfillment is prevented by any impediments arising out of national or international foreign trade or customs requirements or any embargoes and/or other sanctions.

Export may be subject to license. We shall indicate in the delivery details whether licenses are required under German, European and US export lists.

Our products are controlled by the U.S. Government (when labeled with "ECCN" unequal "N") and authorized for export only to the country of ultimate destination for use by the ultimate consignee or end-user(s) herein identified. They may not be resold, transferred, or otherwise disposed of, to any other country or to any person other than the authorized ultimate consignee or end-user(s), either in their original form or after being incorporated into other items, without first obtaining approval from the U.S. Government or as otherwise authorized by U.S. law and regulations.

The export indications can be viewed in advance in the description of the respective goods on the Industry Mall, our online catalog system. Only the export labels "AL" and "ECCN" indicated on order confirmations, delivery notes and invoices are authoritative.

Products labeled with "AL" unequal "N" are subject to European / national export authorization. Products without label, with label "AL:N" / "ECCN:N", or label "AL:9X9999" / "ECCN: 9X9999" may require authorization from responsible authorities depending on the final end-use, or the destination.

If you transfer goods (hardware and/or software and/or technology as well as corresponding documentation, regardless of the mode of provision) delivered by us or works and services (including all kinds of technical support) performed by us to a third party worldwide, you must comply with all applicable national and international (re-)export control regulations.

If required for the purpose of conducting export control checks, you (upon request by us) shall promptly provide us with all information pertaining to the particular end customer, final disposition and intended use of goods delivered by us respectively works and services provided by us, as well as to any export control restrictions existing in this relation.

The products listed in this catalog may be subject to European/German and/or US export regulations. Any export requiring approval is therefore subject to authorization by the relevant authorities.

Errors excepted and subject to change without prior notice.

Further information can be obtained from our branch offices listed at www.siemens.com/automation-contact

Interactive Catalog	<i>Catalog</i>	Process Instrumentation and Analytics	<i>Catalog</i>
Products for Automation and Drives	CA 01	<i>Digital: Field Instruments for Process Automation</i>	FI 01
Building Control		<i>Digital: Display Recorders SIREC D</i>	MP 20
GAMMA Building Control	ET G1	<i>Digital: SIPART Controllers and Software</i>	MP 31
Drive Systems		Products for Weighing Technology	WT 10
SINAMICS G130 Drive Converter Chassis Units	D 11	<i>Digital: Process Analytical Instruments</i>	AP 01
SINAMICS G150 Drive Converter Cabinet Units		<i>Digital: Process Analytics, Components for Continuous Emission Monitoring</i>	AP 11
SINAMICS GM150, SINAMICS SM150 Medium-Voltage Converters	D 12	Low-Voltage Power Distribution and Electrical Installation Technology	
<i>Digital: SINAMICS PERFECT HARMONY GH180 Medium-Voltage Air-Cooled Drives (Germany Edition)</i>	D 15.1	SENTRON · SIVACON · ALPHA Protection, Switching, Measuring and Monitoring Devices, Switchboards and Distribution Systems	LV 10
SINAMICS G180 Converters – Compact Units, Cabinet Systems, Cabinet Units Air-Cooled and Liquid-Cooled	D 18.1	Standards-Compliant Components for Photovoltaic Plants	LV 11
SINAMICS S120 Chassis Format Converter Units	D 21.3	Electrical Components for the Railway Industry	LV 12
SINAMICS S120 Cabinet Modules		Power Monitoring Made Simple	LV 14
SINAMICS S150 Converter Cabinet Units		Components for Industrial Control Panels according to UL Standards	LV 16
SINAMICS S120 and SIMOTICS	D 21.4	<i>Digital: Air circuit breakers and molded case circuit breakers with UL certification</i>	LV 18
SINAMICS DCM DC Converter, Control Module	D 23.1	3WT Air Circuit Breakers up to 4000 A	LV 35
SINAMICS Inverters for Single-Axis Drives · Built-In Units	D 31.1	3VT Molded Case Circuit Breakers up to 1600 A	LV 36
SINAMICS Inverters for Single-Axis Drives · Distributed Inverters	D 31.2	<i>Digital: SIVACON System Cubicles, System Lighting and System Air-Conditioning</i>	LV 50
<i>Digital: SINAMICS S210 Servo Drive System</i>	D 32	<i>Digital: ALPHA Distribution Systems</i>	LV 51
<i>Digital: SINAMICS V90 Basic Servo Drive System</i>	D 33	ALPHA FIX Terminal Blocks	LV 52
<i>Digital: SINAMICS G120P and SINAMICS G120P Cabinet pump, fan, compressor converters</i>	D 35	SIVACON S4 Power Distribution Boards	LV 56
LOHER VARIO High Voltage Motors Flameproof, Type Series 1PS4, 1PS5, 1MV4 and 1MV5 Frame Size 355 to 1000, Power Range 80 to 7100 kW	D 83.2	SIVACON 8PS Busbar Trunking Systems	LV 70
<i>Digital: Three-Phase Induction Motors SIMOTICS HV, SIMOTICS TN</i>	D 84.1	<i>Digital: DELTA Switches and Socket Outlets</i>	ET D1
<i>Digital: Three-Phase Induction Motors SIMOTICS HV</i>	D 84.3	Vacuum Switching Technology and Components for Medium Voltage	HG 11.01
High Voltage Three-phase Induction Motors SIMOTICS HV Series A-compact PLUS	D 84.9	Power Supply	
<i>Digital: Modular Industrial Generators SIGENTICS M</i>	D 85.1	SITOP Power supply	KT 10.1
Three-Phase Induction Motors SIMOTICS HV, Series H-compact	D 86.1	Safety Integrated	
Synchronous Motors with Permanent-Magnet Technology, HT-direct	D 86.2	Safety Technology for Factory Automation	SI 10
DC Motors	DA 12	SIMATIC HMI / PC-based Automation	
SIMOVERT PM Modular Converter Systems	DA 45	Human Machine Interface Systems/ PC-based Automation	ST 80/ ST PC
MICROMASTER 420/430/440 Inverters	DA 51.2	SIMATIC Ident	
MICROMASTER 411/COMBIMASTER 411	DA 51.3	Industrial Identification Systems	ID 10
<u>Low-Voltage Three-Phase-Motors</u>		SIMATIC Industrial Automation Systems	
SIMOTOCS S-1FG1 Servo geared motors	D 41	Products for Totally Integrated Automation	ST 70
SIMOTICS Low-Voltage Motors	D 81.1	SIMATIC PCS 7 Process Control System System components	ST PCS 7
SIMOTICS FD Low-Voltage Motors	D 81.8	SIMATIC PCS 7 Process Control System Technology components	ST PCS 7 T
LOHER Low-Voltage Motors	D 83.1	Add-ons for the SIMATIC PCS 7 Process Control System	ST PCS 7 AO
<i>Digital: MOTOX Geared Motors</i>	D 87.1	SIMATIC S7-400 advanced controller	ST 400
SIMOGEAR Geared Motors	MD 50.1	SIMATIC NET	
SIMOGEAR Electric-monorail geared motors Light-load and heavy-load applications	MD 50.8	Industrial Communication	IK PI
SIMOGEAR Gearboxes with adapter	MD 50.11	SIRIUS Industrial Controls	
<u>Mechanical Driving Machines</u>		<i>Digital: SIRIUS Industrial Controls</i>	IC 10
FLENDER Standard Couplings	MD 10.1		
FLENDER High Performance Couplings	MD 10.2		
FLENDER Backlash-free Couplings	MD 10.3		
FLENDER SIP Standard industrial planetary gear units	MD 31.1		
Motion Control			
SINUMERIK 840 Equipment for Machine Tools	NC 62		
SINUMERIK 808 Equipment for Machine Tools	NC 81.1		
SINUMERIK 828 Equipment for Machine Tools	NC 82		
SIMOTION Equipment for Production Machines	PM 21		
<i>Digital: Drive and Control Components for Cranes</i>	CR 1		

*Digital: These catalogs are only available as a PDF.***Information and Download Center**

Digital versions of the catalogs are available on the Internet at:
www.siemens.com/industry/infocenter
 There you'll find additional catalogs in other languages.

Get more information

SIGENTICS industrial generators:
www.siemens.com/industrial-generators

SIGENTICS M:
www.siemens.com/sigentics-m

Local partners worldwide:
www.siemens.com/automation/partner

Siemens AG
Process Industries and Drives Division
Large Drives
Postfach 47 43
90025 NÜRNBERG
GERMANY

© Siemens AG 2018
Subject to change without prior notice
Article No. E86060-K5585-A111-A2-7600
V6.MKKATA.LDT.243
KG 0918 0.06 DPG 292 En
Printed in Germany

The information provided in this catalog contains merely general descriptions or characteristics of performance which in case of actual use do not always apply as described or which may change as a result of further development of the products. An obligation to provide the respective characteristics shall only exist if expressly agreed in the terms of contract. Availability and technical specifications are subject to change without notice.

All product designations may be trademarks or product names of Siemens AG or supplier companies whose use by third parties for their own purposes could violate the rights of the owners.

Security information

Siemens provides products and solutions with industrial security functions that support the secure operation of plants, systems, machines and networks.

In order to protect plants, systems, machines and networks against cyber threats, it is necessary to implement – and continuously maintain – a holistic, state-of-the-art industrial security concept. Siemens' products and solutions constitute one element of such a concept.

Customers are responsible for preventing unauthorized access to their plants, systems, machines and networks. Such systems, machines and components should only be connected to an enterprise network or the internet if and to the extent such a connection is necessary and only when appropriate security measures (e.g. firewalls and/or network segmentation) are in place.

For additional information on industrial security measures that may be implemented, please visit
<http://www.siemens.com/industrialsecurity>.

Siemens' products and solutions undergo continuous development to make them more secure. Siemens strongly recommends that product updates are applied as soon as they are available and that the latest product versions are used. Use of product versions that are no longer supported, and failure to apply the latest updates may increase customer's exposure to cyber threats.

To stay informed about product updates, subscribe to the Siemens Industrial Security RSS Feed under
<http://www.siemens.com/industrialsecurity>.